



INSTALLATION INSTRUCTIONS

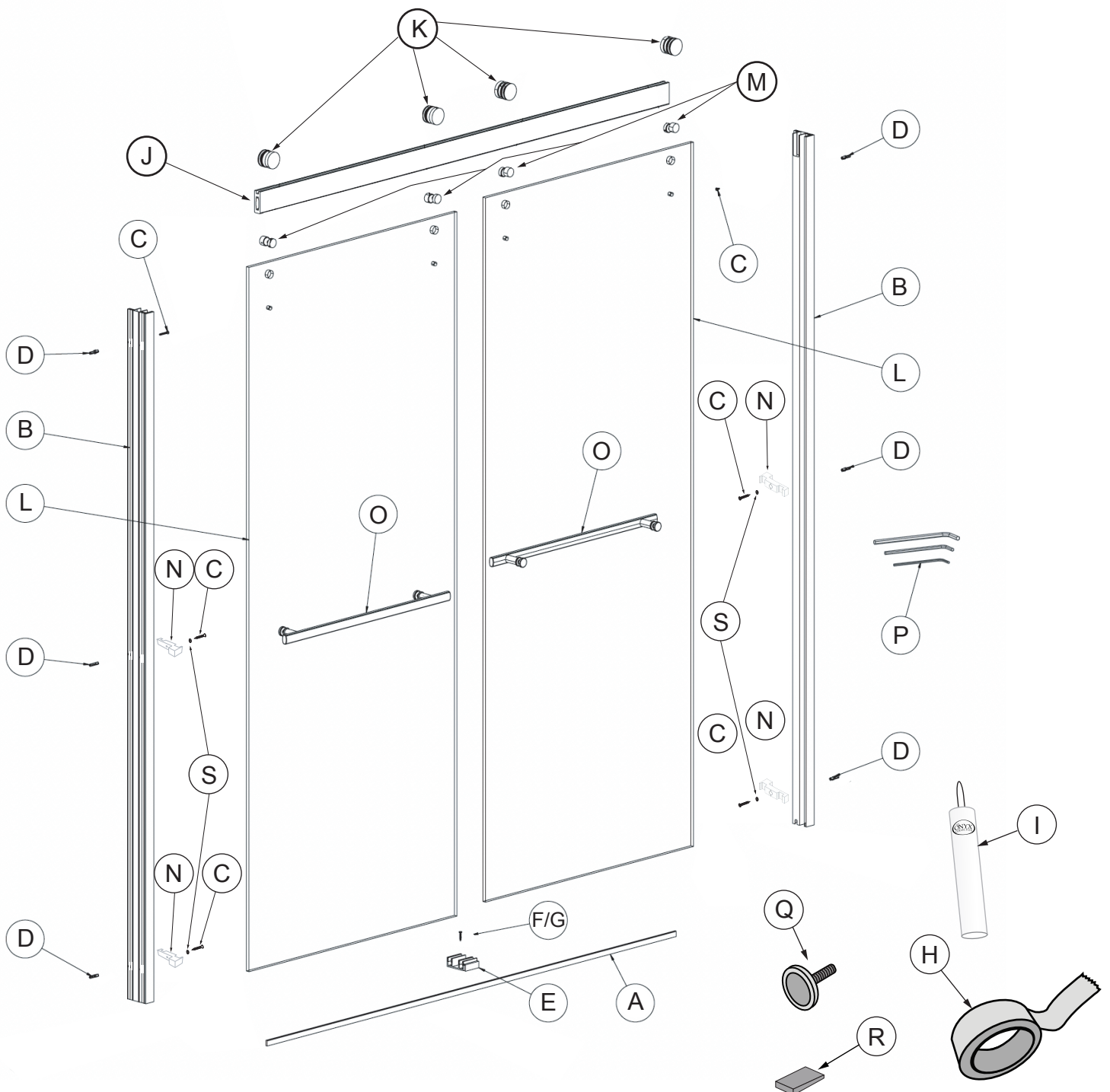
105 Broadway St. Belvue, KS 66407
Phone: 800-669-9867 Fax: 800-393-6699
www.onyxcollection.com



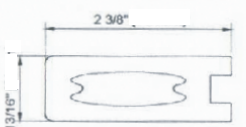


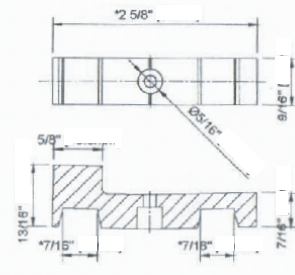
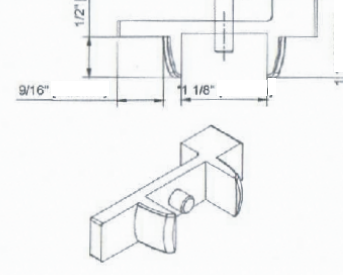
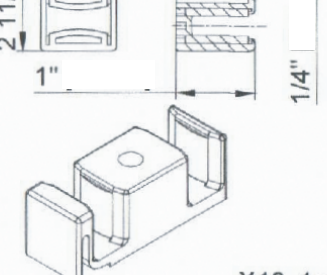
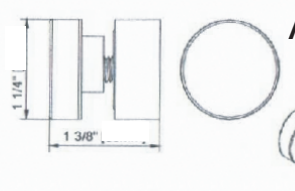
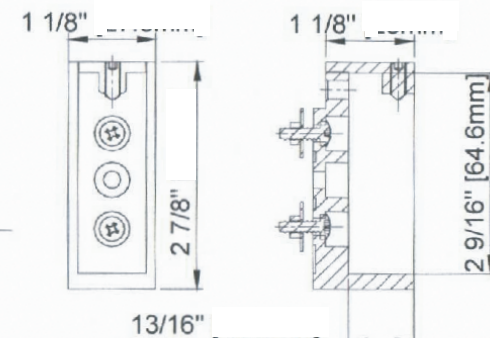

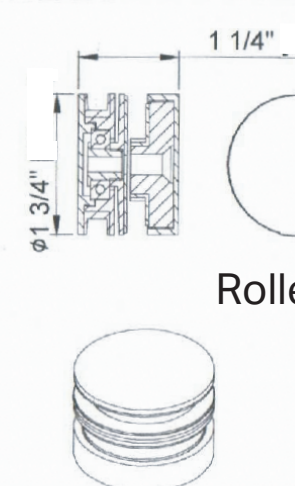
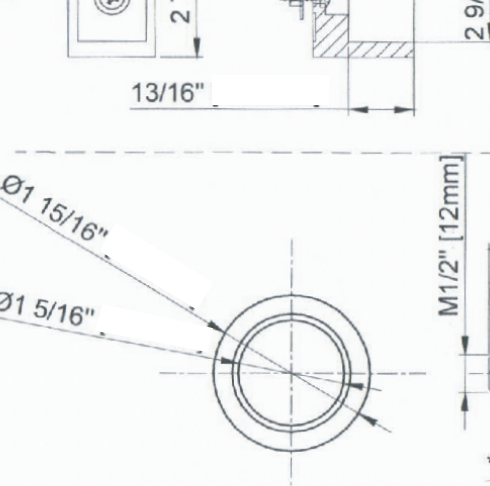
Barn Door Style Bypass Shower Door

PARTS LIST

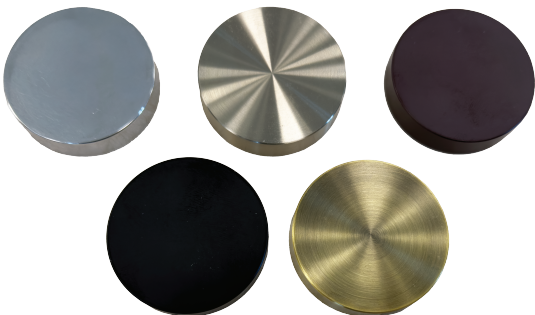
- A) Curb Track
- B) 2 Wall Jamb
- C) 6 Wall Jamb Screws (2 9/16")
- D) 6 Anchors (1 1/4")
- E) Guide
- F) Guide Anchor (1 3/16")
- G) Guide Screws (1 1/8")
- H) Tape
- I) Adhesive Silicone
- J) Header
- K) 4 Rollers
- L) 2 Glass Panels
- M) 4 Anti-Jumps
- N) 4 Bumpers
- O) 2 Towel Bars
- P) Allen Wrenches
- Q) Finger Pull
- R) 4 1/16" Setting Blocks
- S) 5 Washers (5/16")



HARDWARE SPECS

 <p>Header HR007 1pc</p>	 <p>Curb Track TH1094 1pc</p>	 <p>Wall Jamb SA1107 2pcs</p>
 <p>Bumper BP83 4pcs</p>	 <p>Top Bumper BP84 2pcs</p>	 <p>Guide X18 1pc</p>
 <p>Anti-Jump AJ22 4pcs</p>	 <p>Wall Bracket C28 2pcs</p>	 <p>Wall Jamb Screw PAST4X65PH 6pcs</p>
 <p>Roller R110 4pcs</p>	 <p>Finger Pull L134 1pc</p>	

Hardware Options:



Chrome, Brushed Nickel, Oil Rubbed Bronze, Matte Black, & Brushed Brass.

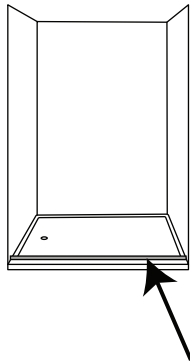
Towel Bar
L104-406

QUICK OVERVIEW

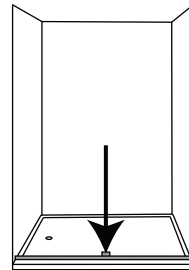
Curb Track, Door Guide, and Wall Jambs (Pages 6-7)

Step #1:

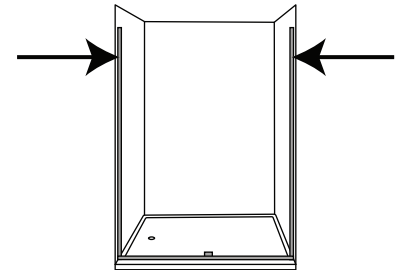
1(a)
Install Curb Track



1(b)
Install Center Guide



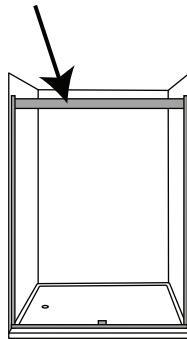
1(c)
Install Wall Jambs



Step #2:

Install Header Track

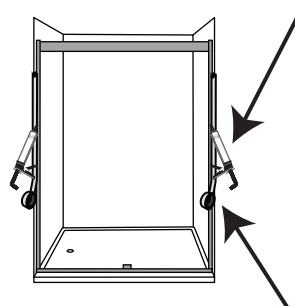
(Page 8)



Step #3:

Silicone Curb Track and Wall Jambs

(Page 9)



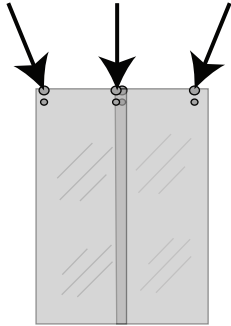
NOTE:
(It is easier to silicone
before the glass
is installed)

Step #4: Install Rollers and Glass

(Page - 10)

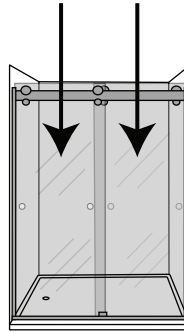
4(a)

Install Rollers onto glass



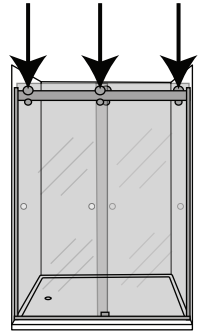
4(b)

Hang the Door Panels



4(c)

Adjust Doors



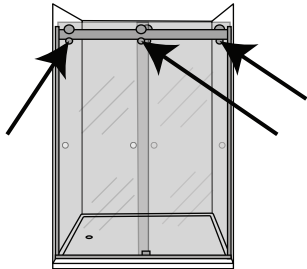
Finishing Steps

(Page 11)

Step #5:

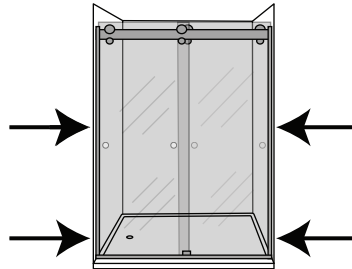
5(a)

Insert Anti-Jumps



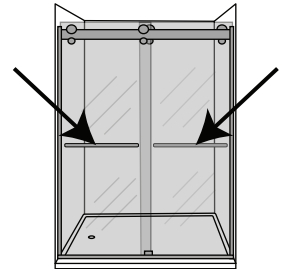
5(b)

Bumpers



5(c)

Install the Towel Bars



DETAILED INSTRUCTIONS

NOTES: You want your walls to be as plumb as possible. • Wood backing is preferable but not required.

Step #1: Curb Track, Door Guide, and Wall Jambs

1(a): Install Curb Track

Parts Needed:
Curb Track [A], Center Guide [E]

Cut Curb Track

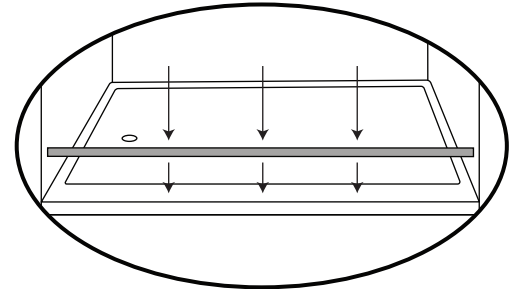
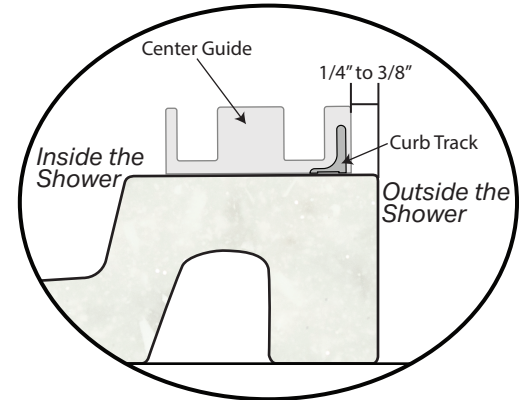
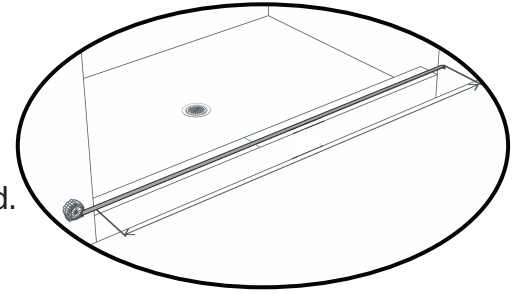
- Measure the wall- to- wall opening along the center of the threshold.
- Cut the curb track 1/8" less than this dimension.

Positioning the Curb Track in the best location

- Set the shower door Curb Track on the shower threshold.
- Set the Center Guide onto the Curb Track and determine the best position of the Center Guide and Curb Track on the shower threshold.
- This will likely be about 1/4" to 3/8" in from the outside of the shower threshold.
- Be sure the Curb Track is straight and mark the Curb Track location using a pencil or tape.

Adhere Curb Track to shower threshold

- Peel back the double-stick tape cover on to bottom side of the Curb Track.
- Reposition the Curb Track and press onto the shower threshold.

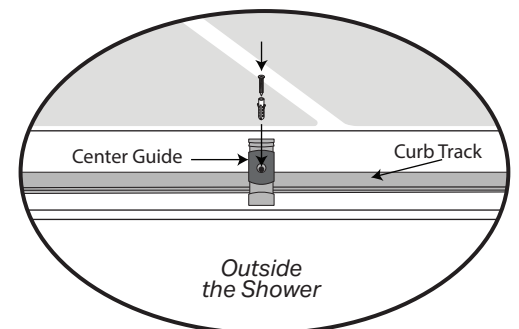


1(b): Install Center Guide

Parts Needed:
Center Guide [E], Guide Anchor [F], Guide Screw [G]

Position the Center Guide in the center of the opening

- Once the Center Guide is positioned in the center of the opening, mark the hole location with a pencil.
- Remove Center Guide and drill 1/4" hole into the shower threshold for the plastic anchor.
- Insert the anchor into the hole.
- Reposition the Center Guide and screw into place.



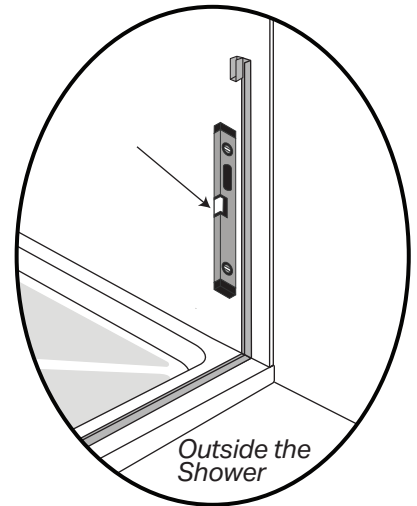
1(c): Install Wall Jambs

Parts Needed:

Wall Jambs [B], Wall Jambs Anchors [D], Wall Jamb Screws [C], Bumpers [N]

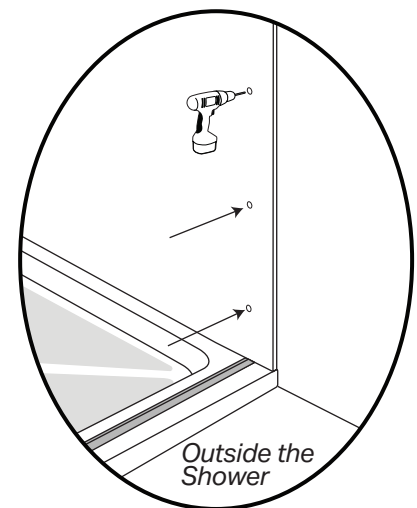
Position the Wall Jambs

- Set the Wall Jamb onto the curb track.
- Using a level position the wall jamb perfectly plum.
- Mark the hole locations.
- Remove the Wall Jamb.



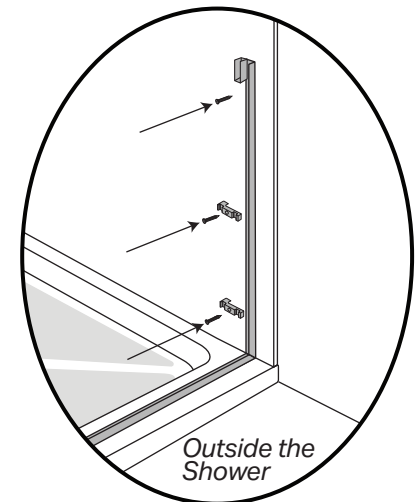
Drilling the holes

- If there is wood backing in the wall drill a 1/4" clearance hole just through the shower wall material.
- If there is **NOT** wood backing drill a 1/4" hole through the shower wall material and sheetrock for the plastic anchor. Insert the plastic anchor after the hole is drilled.



Attach the Wall Jambs

- The lower and middle holes will use a screw and bumper assembly.
- The top hole (inside the header mount bracket) will just use a screw.
- Using the Bumpers and screws, loosely attach the lower and middle screws through the Wall Jamb and into the wall.
- Using just the screw, loosely attach the top screw through the Wall Jamb into the wall.
- After double checking that the Wall Jamb is plum, tighten the screws.



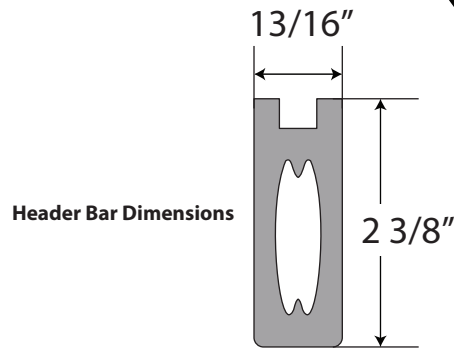
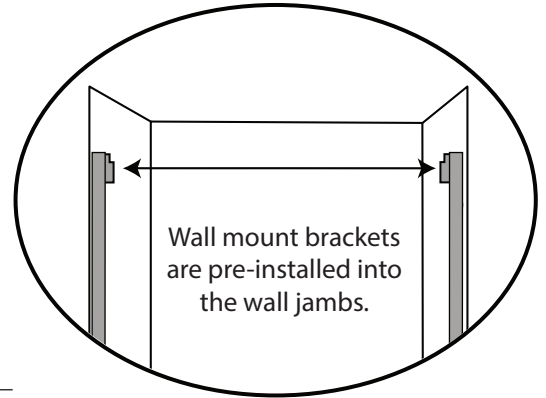
Step #2: Install Header Track

Parts Needed:

Header Track [J], 1/16" Setting Blocks [R] (if needed)

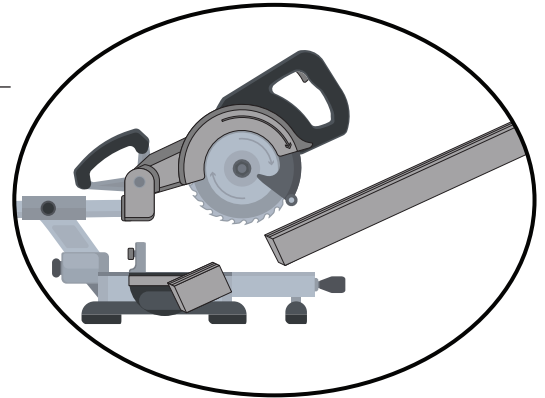
Preparing to install the Header Track

- The Header Track will slide into the wall mount brackets.
- Measure the shower opening near the top of the shower door and subtract 1 5/8".



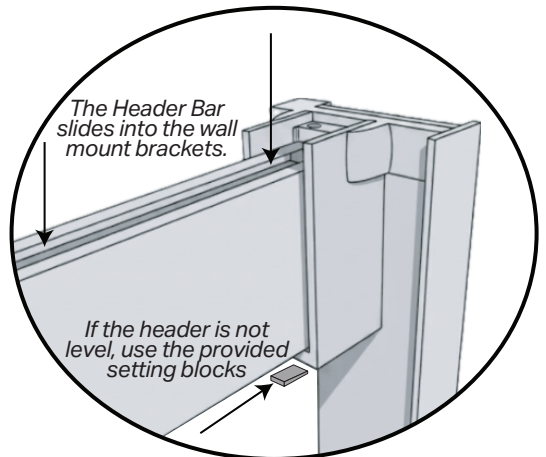
Cut the Header Track

- Cut the Header Track using a miter saw with a fine tool metal cutting blade.



Installing the Header Track

- Remove the top plate from the wall mount brackets on the wall jambs by unscrewing the two screws.
- Lower the Header Track into the wall mount brackets and double check the level of the Header.
- Replace the wall mount top plate by screwing in the two screws previously removed.



Useful hints:

- If the Header Bar is not level, you can use the included setting blocks to adjust the Header Track.

Step #3 Silicone Curb Track and Wall Jambs

Parts Needed:

Masking Tape [H], Adhesive Silicone [I]

General notes

- It is easiest to silicone the Curb Track and Wall Jambs at this point in the installation before the glass is installed.
- In order to allow for a nice silicone bead we recommend taping the area needing to be siliconed, leaving space for a 1/8" silicone bead.

Clean the space

- Using a vacuum or brush clean heavy debris from the area.
- Using a paper towel or a clean rag, remove all dust from the area along the Wall Jamb and Curb Track that will be siliconed.

Tape silicone area

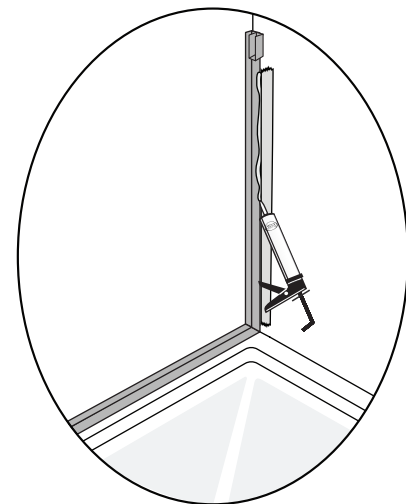
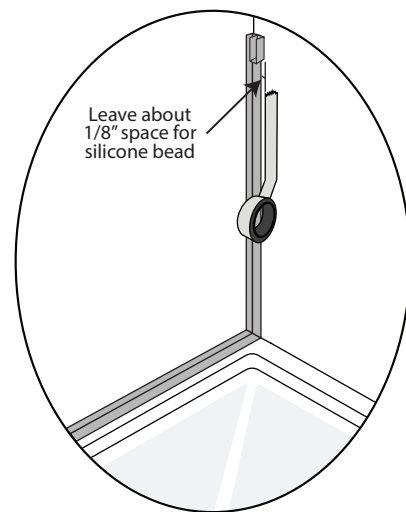
- Using the masking tape on either side where the silicone bead will be applied, leaving about 1/8" space for the silicone bead.

Apply silicone

- Apply a small bead of silicone to the inside and outside of the curb track, center guide and wall jambs.
- Using a finger, smooth out the silicone to make a nice, small, clean bead.

Helpful hints:

- Use alcohol and paper towel to remove any unwanted silicone and to keep your finger clean.
- We recommend siliconing 4 to 6 feet section at a time.
- The silicone will start to cure in about ten minutes.



Step #4

Install Rollers and Glass

4(a): Install Rollers onto Glass

Parts Needed:
Rollers [N]

Disassemble Rollers

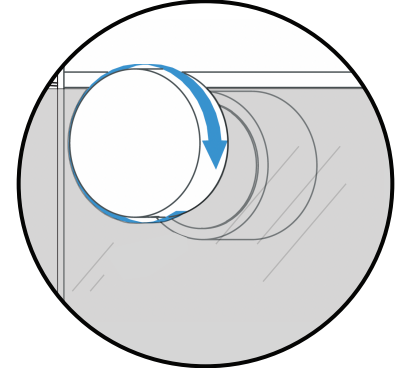
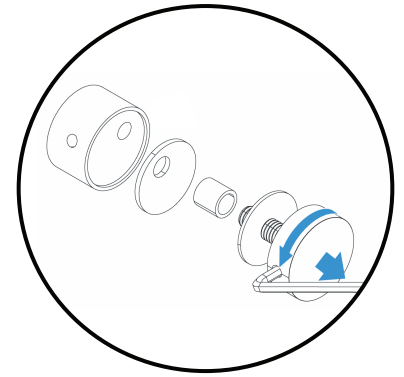
- Unscrew the cap from the roller assembly.

Install Rollers onto Glass

- Insert both parts of the roller into the holes at the top of each glass panel and screw them together.
- Make sure that the rollers are facing the correct direction.

Helpful hints:

- The roller mechanism will face towards the outside of the shower on the inside glass panel. It will face towards the inside of the shower on the outside glass panel.



4(b): Hang the Door Panels

Parts Needed:
Glass [L]

General Notes

- Determine the orientation of the shower door glass panels.
- For maximum water-proofing, the interior glass panel should be positioned close the shower head.

Hanging the Door Panels

- Remove the foam from the door panels before hanging the door glass.
- Carefully take the inside door panel and lower the rollers on the header bar. The bottom of the door glass will fit into inside slot of the door guide.
- Carefully take the outside door panel and lower the rollers on the header bar. The bottom of the door glass will fit into the outside slot of the door guide.

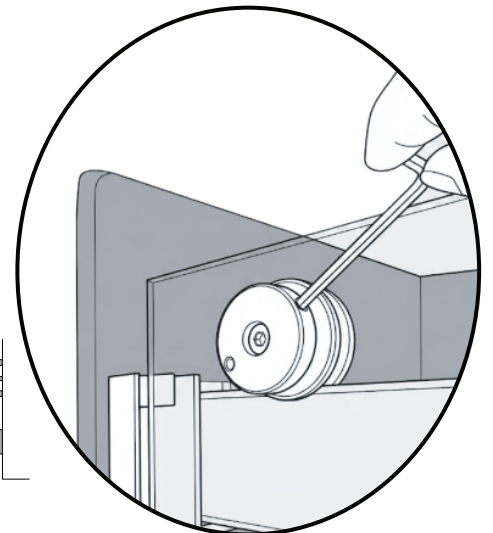
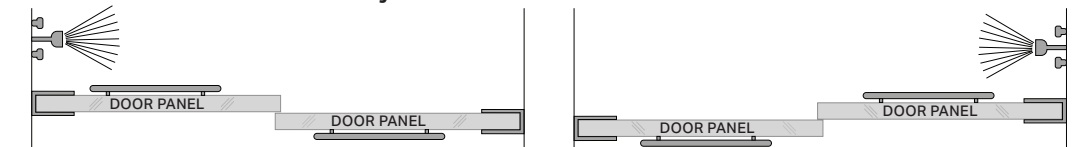


4(c): Adjust Doors

Parts Needed:
Rollers [N]

Adjusting the Rollers

- Adjust the glass to match the wall conditions using the built-in roller cams.
- Insert an allen wrench into the roller and turn clockwise and counterclockwise to adjust the roller.



Step #5

Finishing Steps

5(a): Insert Anti-Jumps

Parts Needed:
Anti-Jumps [M]

General Note

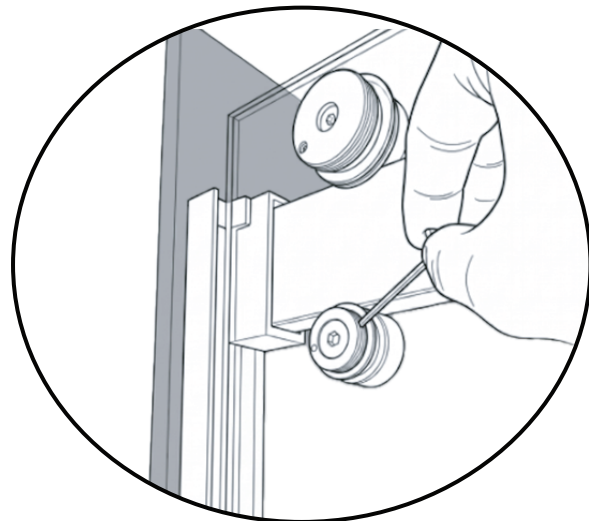
- The anti-jumps have cams and cap similar to the rollers. They are adjustable using an allen wrench.
- The anti-jump covers should all face out of the shower.

Insert Anti-Jumps

- Once the glass panels have been adjusted place the anti-jump pieces in the second hole in each glass panel.

Adjust Anti-Jumps

- Insert an allen wrench into the Anti-Jump and turn clockwise and counterclockwise to adjust the anti-jumps.



5(b): Bumpers

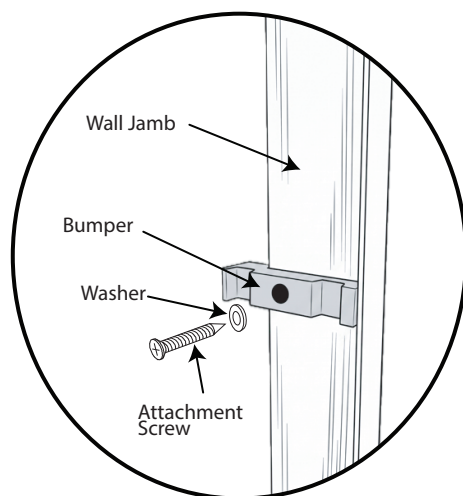
Parts Needed:
Bumpers [N], Wall Jamb Screws [C], Washers [S]

Installing the Bumpers

- Remove the wall jamb screws from the middle and bottom of the wall jambs one at a time.
- Place the attachment screw inside of a wall jamb bumper and rescrew into place.
- Don't overtighten to avoid pinching the bumper.

Helpful Hint

- Unscrew one wall jamb screw at a time.



5(c): Install the Towel Bars

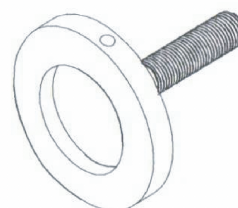
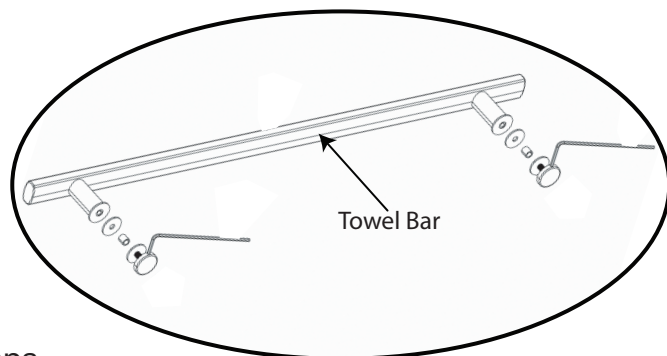
Parts Needed:
Towel Bars [O], Finger Pull [Q]

Installing the Towel Bars

- Remove the back caps from each towel bar. Place the towel bars in the appropriate glass panel and rescrew in the towel bar caps.
- Use the provided allen wrench to tighten the towel bar caps.

Helpful Hint

- You can replace one of the towel bars caps with the provided finger pull cap, if you desire to do so.



Finger Pull