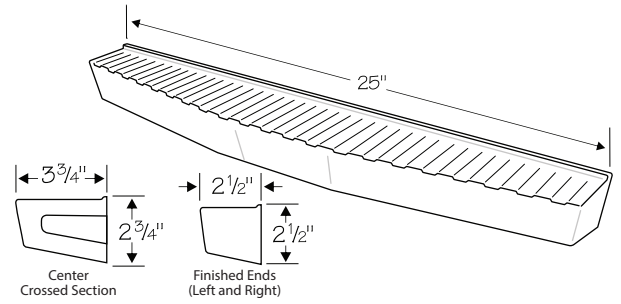


# FLOATING EXTENDED SURFACE SHELF INSTALLATION

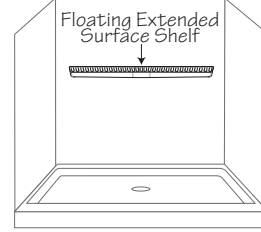


## 1 Shelf Location

Hold the shelf up against a panel of the shower at the desired height and mark the shower wall, just above the surface shelf.

The water channels face up.

Recommended Shelf Height



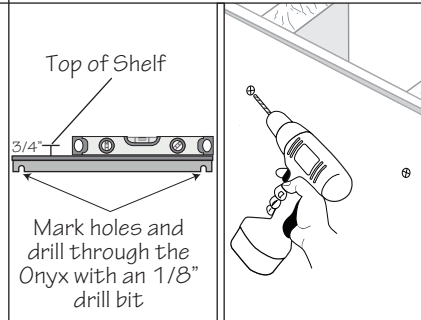
The most common height for the surface shelf is between chest and eye height of the user.

The caddy is installed against a shower wall.

## 2 Mark and Drill Holes for Bracket

Position the Bracket about 3/4" below the mark made in step #1. Level the bracket, mark and drill 1/8" clearance holes.

If there is a stud, use the screw. If there is no stud drill 7/32" clearance holes through the Onyx wall panel and insert the anchors.



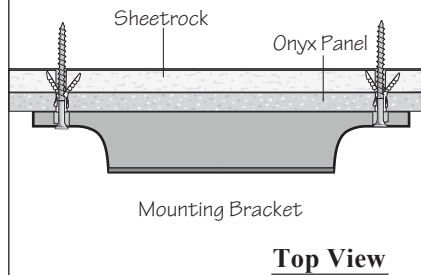
Always drill a clearance hole through the Onyx wall panel and never fasten directly into the Onyx material.

Make sure the bracket is level when marking the holes.

## 3 Attaching the Bracket

Attach the bracket to the shower walls using the screws and anchors as needed. Tighten just enough so that the bracket is snug against the wall - be careful not to over-tighten.

Dry fit the caddy to ensure tight fit and level installation. The top of the caddy shelf must be level.



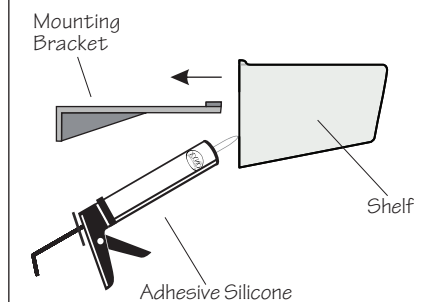
If the screws are not able to hit a stud. Use the plastic anchors in the hardware bag.

Adjust the mounting bracket to ensure the caddy is level.

## 4 Mounting the Shelf

Apply Onyx Adhesive silicone to the back of the Onyx shelf. A small bead of silicone per side is sufficient. Apply the adhesive silicone slightly away from the outside edge so that it will not press out when the shelf is installed. Apply Silicone to the top of the bracket as well.

Set the Onyx shelf on the bracket. The shelf should be level on both sides.



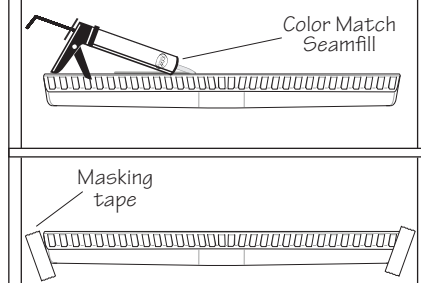
Apply the bead of silicone more towards the inside of the caddy than the finished edge. This will prevent the silicone from squeezing out when the shelf is pressed against the wall.

Applying silicone to the top of the mounting bracket allows the Onyx shelf to set in adhesive silicone and helps remove any slight rocking movement. Apply a little more silicone to the top of the bracket than you think necessary in order to allow for adjustments to achieve a level installation.

## 5 Securing & Sealing

After the Onyx shelf is set in place and level, secure it in place with masking tape until the adhesive silicone starts to cure (usually 15 minutes to an hour).

Remove the tape and apply the Color Matched Seamfill to the edges of the shelf.



To smooth out a seamfill bead with your finger, dampen a paper towel with rubbing alcohol and then dampen your finger. Next, run your finger along the bead of seamfill, wiping any excess silicone onto the paper towel.

The rubbing alcohol will keep the silicone from smearing.