

BYPASS SLIDING SHOWER DOOR WITH RETURN PANEL - PARTS LIST

A. 1 Curb Track with Vinyl

B. 3 Wall Jamb

C. 6 Plastic Wall Anchors

D. 6 #8 x 2" Truss Head Screws

E. 4 Pan Head Screws & Locking Nuts

F. 1 Header

G. 2 Glass Panels

H. 4 Hanger Brackets (Pre-assembled)

J. 1 PVC Bottom Guide

K. 12 #6 x 3/8" Pan Head Screws

M. 4 Vinyl Jamb Bumpers

N. 1 Vinyl Silencer

O. 2 Towel Bar Caps

P. 2 Spacers

Q. 1/16" spacer (if needed)

R. 4 Plastic Washers

S. 1 Towel Bar

T. 1 Knob

U. 1 Knob Cap

W. Corner Post

AA. Return Butt Curb Track

BB. Setting Blocks

CC. Glass Panel

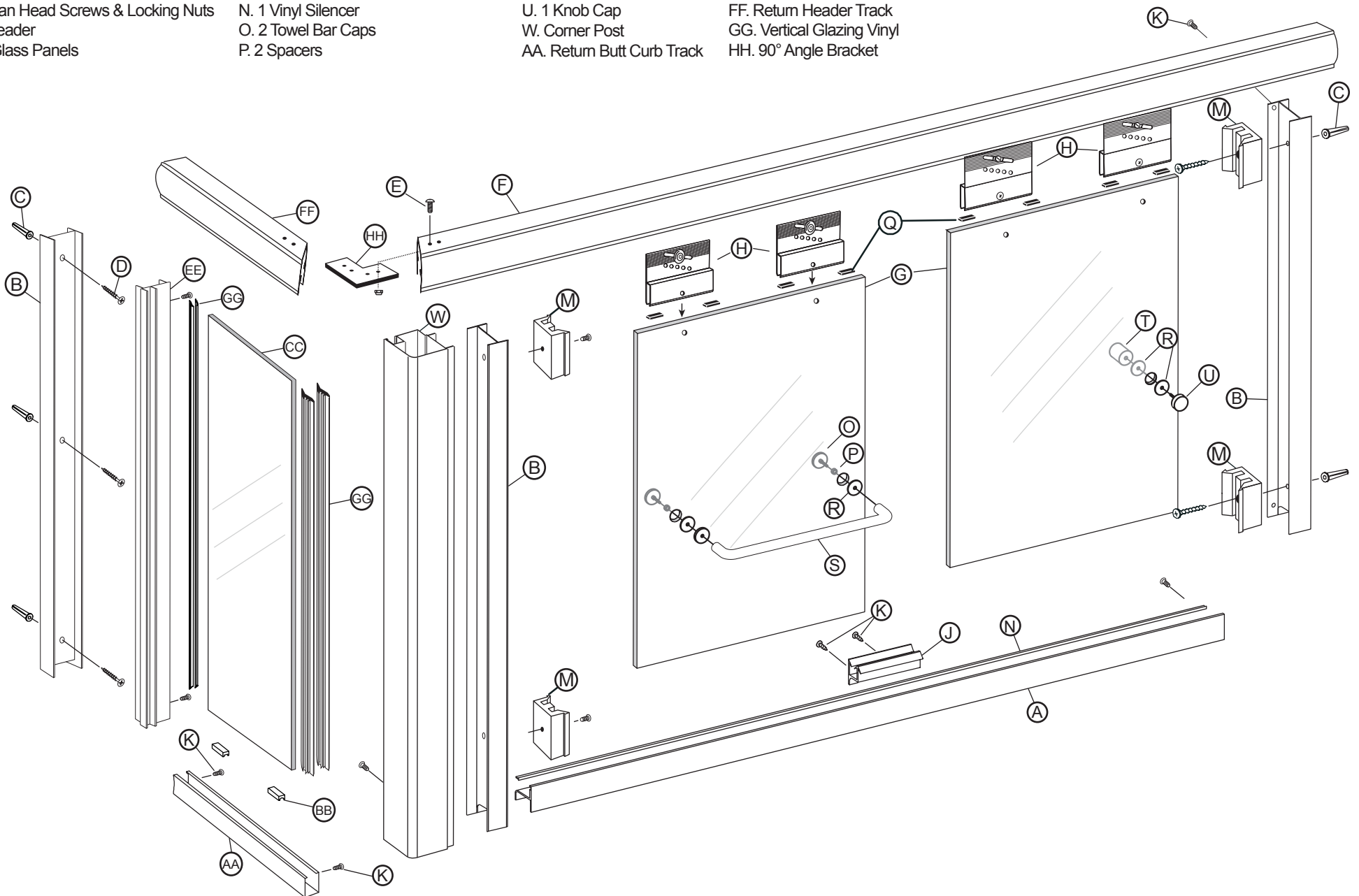
DD. N/A

EE. Inline Adapter

FF. Return Header Track

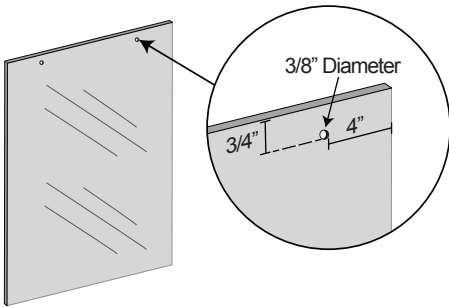
GG. Vertical Glazing Vinyl

HH. 90° Angle Bracket

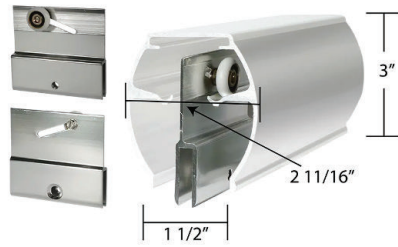


HARDWARE SPECS

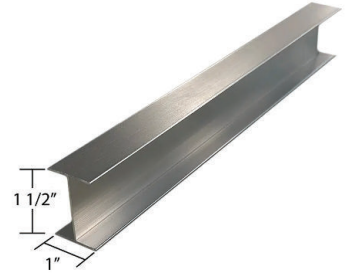
Glass Hole Specifications



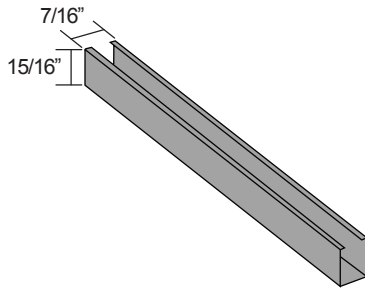
Header



Wall Jamb



Half Wall or Return Panel Bottom Channel



Curb Track and Bottom Guide

