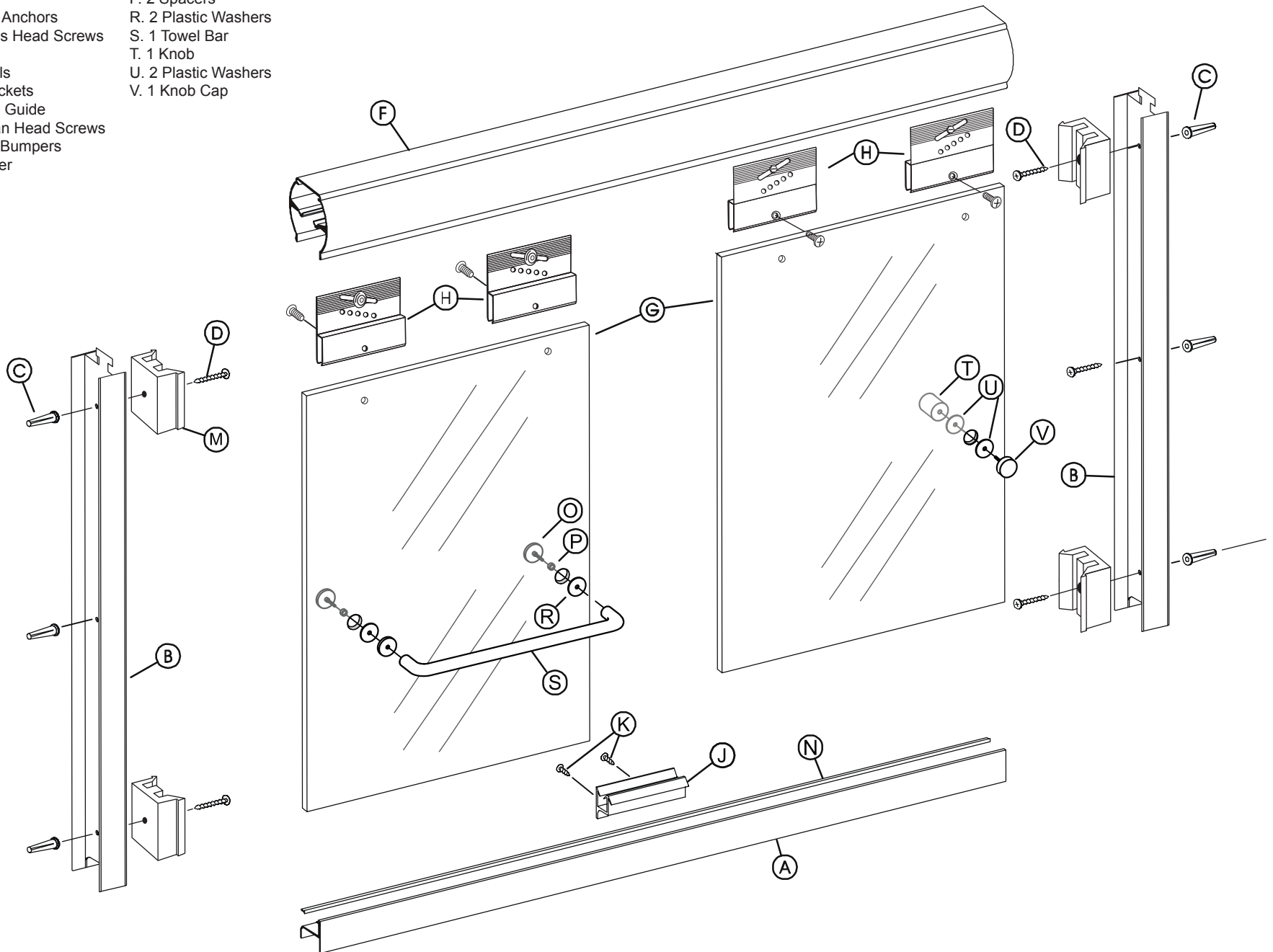


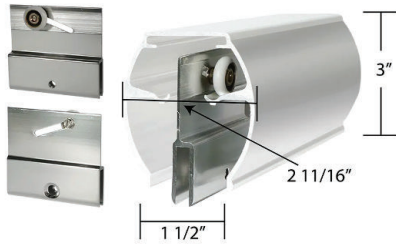
BYPASS SHOWER DOOR - PARTS LIST

- A. 1 Curb Track with Vinyl
- B. 2 Wall Jamb
- C. 6 Plastic Wall Anchors
- D. 6 #8 x 2" Truss Head Screws
- F. 1 Header
- G. 2 Glass Panels
- H. 4 Hanger Brackets
- J. 1 PVC Bottom Guide
- K. 2 #6 x 3/8" Pan Head Screws
- M. 4 Vinyl Jamb Bumpers
- N. 1 Vinyl Silencer
- O. 2 Towel Bar Caps
- P. 2 Spacers
- R. 2 Plastic Washers
- S. 1 Towel Bar
- T. 1 Knob
- U. 2 Plastic Washers
- V. 1 Knob Cap

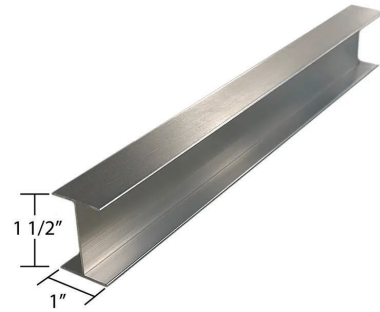


HARDWARE SPECS

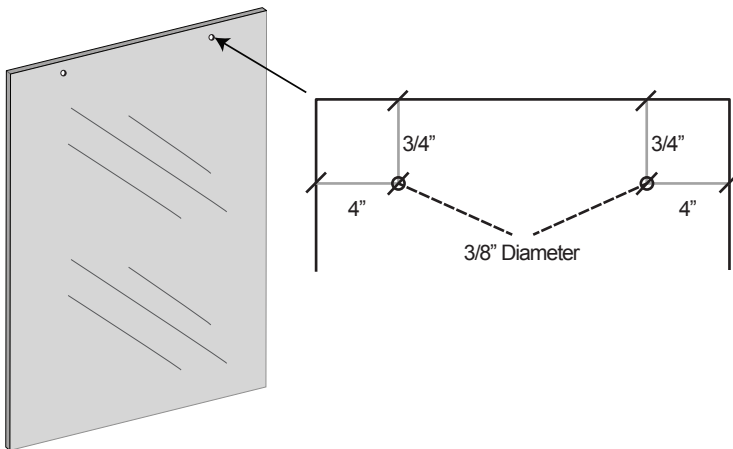
Header



Wall Jamb



Glass Hole Specifications



Curb Track and Bottom Guide

