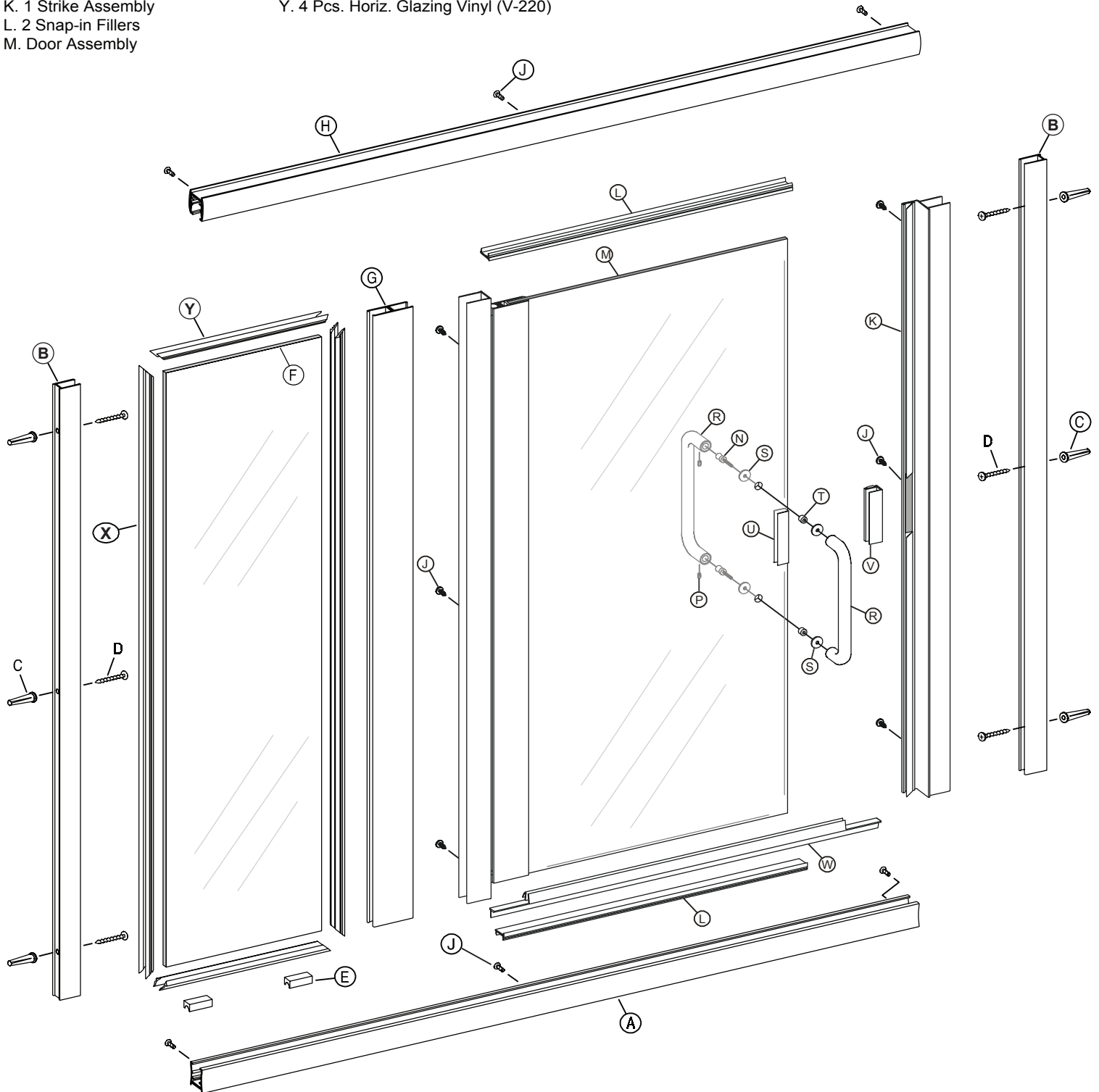


SEMI-FRAMELESS DOOR WITH PANEL - PARTS LIST

- | | |
|-----------------------------------|--|
| A. 1 Curb (with weep slots) | N. 2 Cone Head Bolts |
| B. 2 Wall Jamb | P. 2 Set Screws |
| C. 8 1/4" Plastic Wall Anchors | R. 2 Tubular Handles |
| D. 8 #8 x 2" Truss Head Screws | S. 4 Plastic Washers |
| E. 2 Grey Setting Blocks | T. 2 Plastic Bushings |
| F. 1 Fixed Glass Panel | U. 1 Handle Vinyl |
| G. 1 180° Post | V. 1 Magnet Catch |
| H. 1 Header | W. 1 Vinyl Door Sweep |
| J. 10 #6 x 3/8" Truss Head Screws | X. 4 Pcs. Vert. Glazing Vinyl (V-219) |
| K. 1 Strike Assembly | Y. 4 Pcs. Horiz. Glazing Vinyl (V-220) |
| L. 2 Snap-in Fillers | |
| M. Door Assembly | |



HARDWARE SPECS

Header



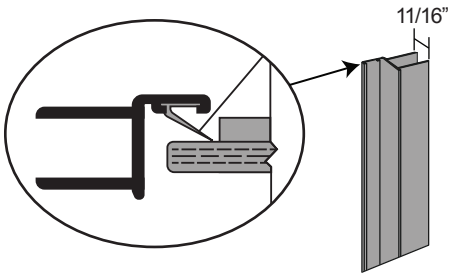
Wall Jamb



Curb Track



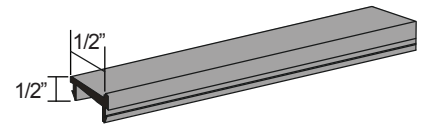
V-314Jamb Vinyl



180° Post



Snap-in Fillers



922 Heavy Duty Header
(Used in some applications only)

