



INSTALLATION INSTRUCTIONS

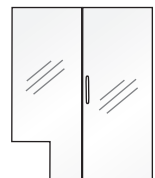
105 Broadway St. Belvue, KS 66407
Phone: 800-669-9867 Fax: 800-393-6699
www.onyxcollection.com



PL-91 Frameless Door with Panel



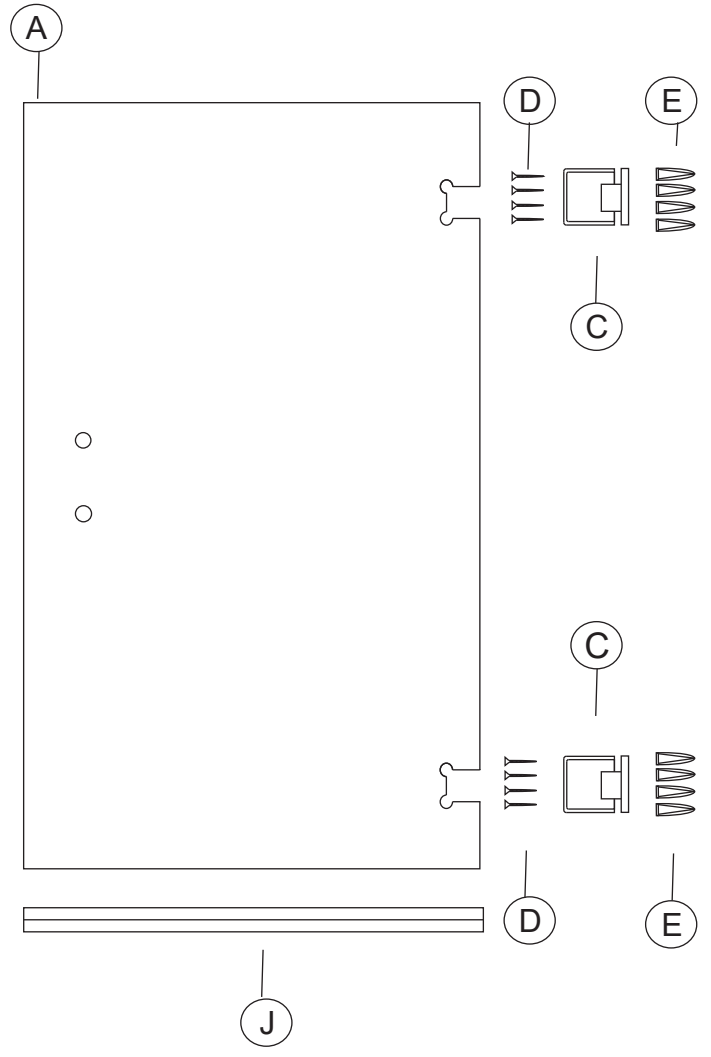
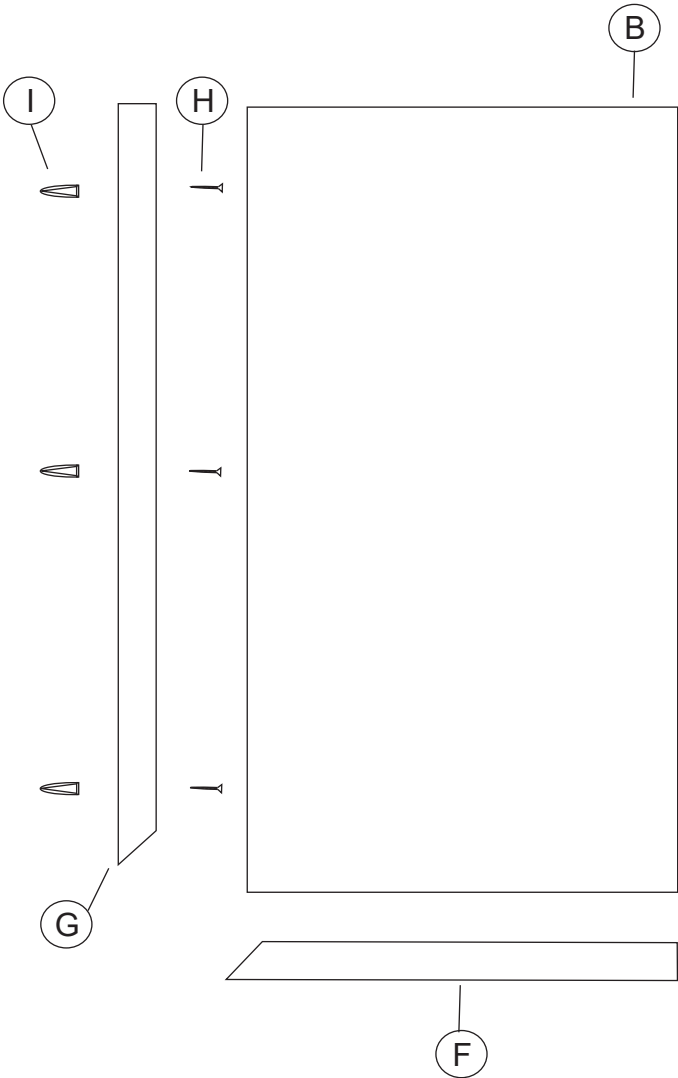
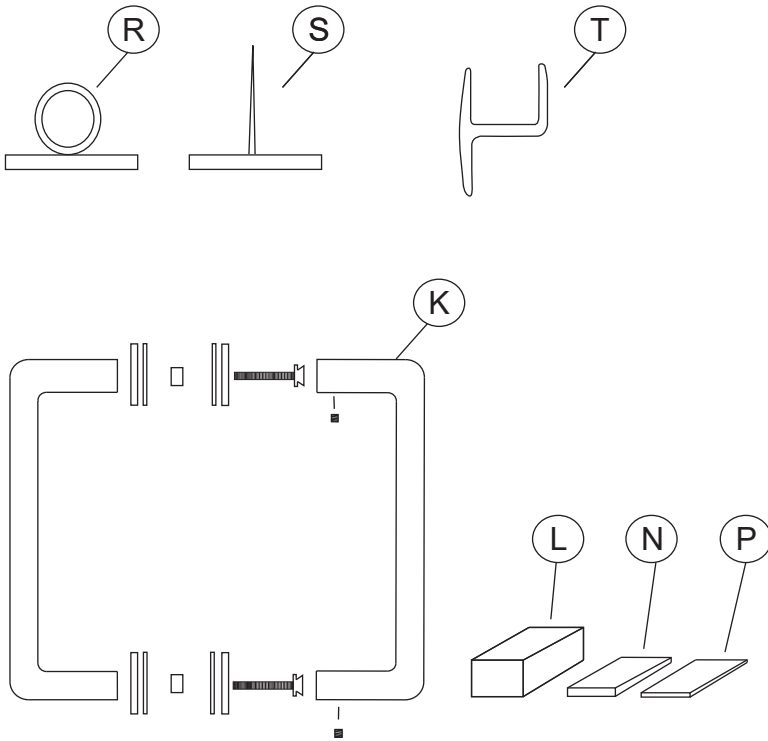
Full Showers



Bench Seat
Showers

Parts List

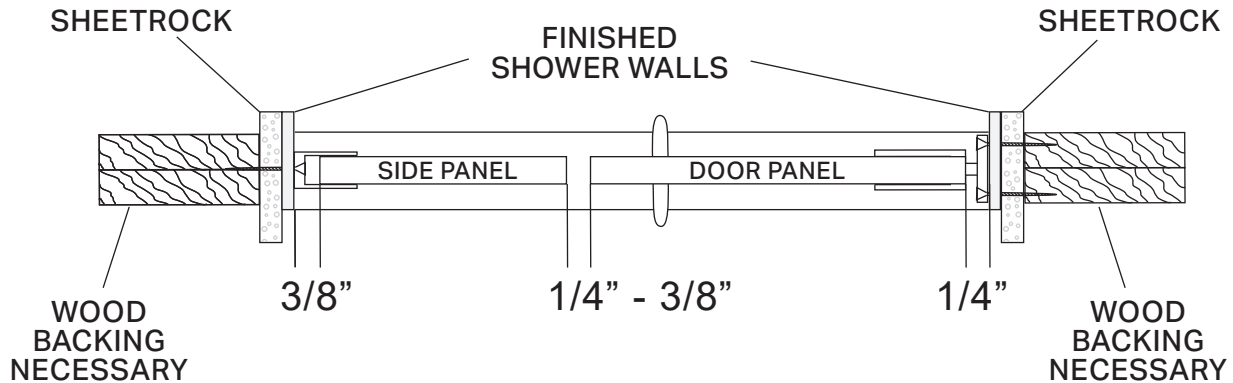
- A) Door Panel
- B) Side Or Notched Panel
- C) 2 Hinges
- D) Polished Pan Head Screws
- E) 1/4" Anchors (Grey)
- F) Glazing Channel w/ double stick tape
- G) Glazing Wall Channel w / holes
- H) 2" Pan Head Screws
- I) 1/4" Anchors (Blue)
- J) Door Sweep
- K) 8"x8" Handle
- L) 1/2" Black Spacers
- M) Yellow Masking Tape
- N) 1/8" Clear Setting Blocks
- P) 1/16" Setting Blocks
- R) 1 Tape on Bubble Vinyl
- S) 1 Tape on T Vinyl
- T) 1 Clip on H Vinyl



INSTALL INSTRUCTIONS

1

Top View



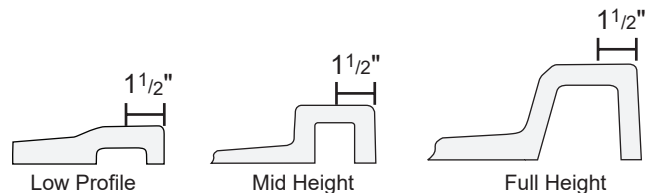
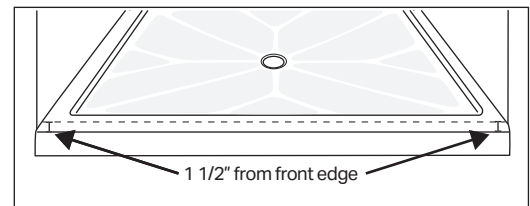
2

FINDING DOOR LOCATION ON CURB

Measure back 1 1/2" from the outside edge of the base curb on the left side of the opening. Mark it with a grease pencil or non abrasive marker.

Measure 1 1/2" from the outside edge of the base on the curb on the right, and mark.

Using a straight edge, connect the marks. This is the centerline of the glass.



3

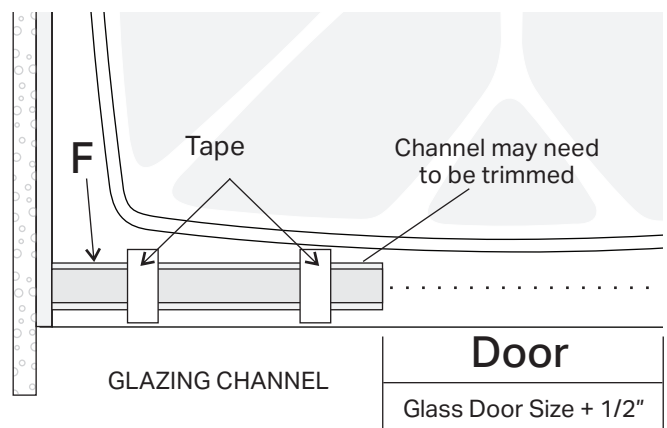
LINING UP HORIZONTAL GLAZING CHANNEL

Place glazing channel (F) onto threshold and line it up with the centerline (this channel will need to be removed in a later step so do not adhere it to the threshold yet)

*Channel may need to be trimmed

Make sure glazing channel (F) is centered on the centerline shown in step 2.

A piece of painters tape can be used to hold glazing channel into place.



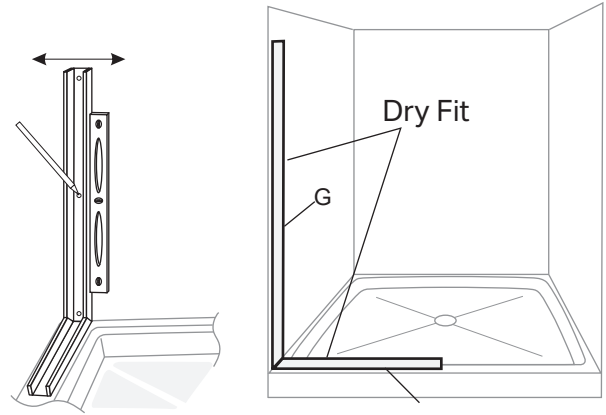
4

LINING UP VERTICAL GLAZING CHANNEL

Place vertical glazing channel (G) on top of the bottom glazing channel (F) and line them up where they meet in the bottom corner.

Using a level, plumb the vertical glazing channel. This is a very important step so take time to make sure the vertical channel is perfectly plumb.

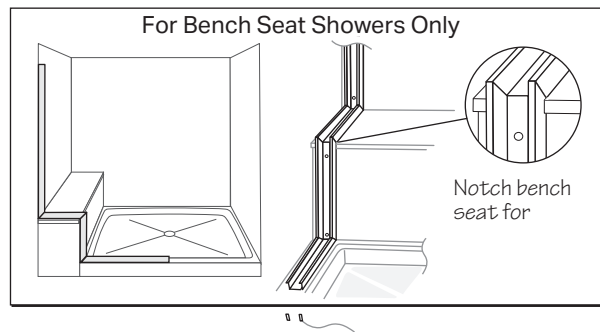
Mark holes for drilling and remove both glazing channels.



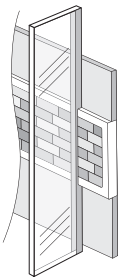
SPECIAL INSTRUCTIONS FOR BENCH SEAT SHOWERS

For showers with bench seats, the glazing channel will need to be installed on the vertical face of the seat and also along the top part of the seat as seen in the picture. Any overhang on the seat will need to be notched where the glazing channel will go.

If there is any mosaic tile in the opening, this will need to be notched to allow the channel to lay flat against the shower wall.



Notch, shape, or modify mosaic trim around door channel or glass



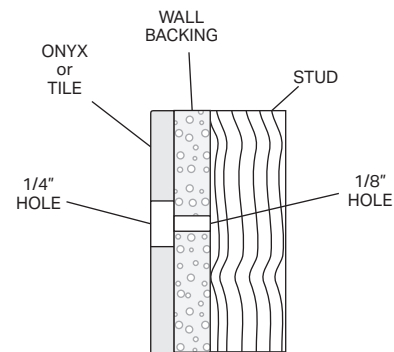
5

PRE-DRILLING FOR GLAZING CHANNELS

Pre-drill holes through the shower wall using a 1/4" drill bit. Pre-drill through wall board using an 1/8" drill bit.

Note: If there is no wood backing, use the anchors provided.

Clean all dust and debris from the shower wall and the threshold to prepare for mounting the channels.

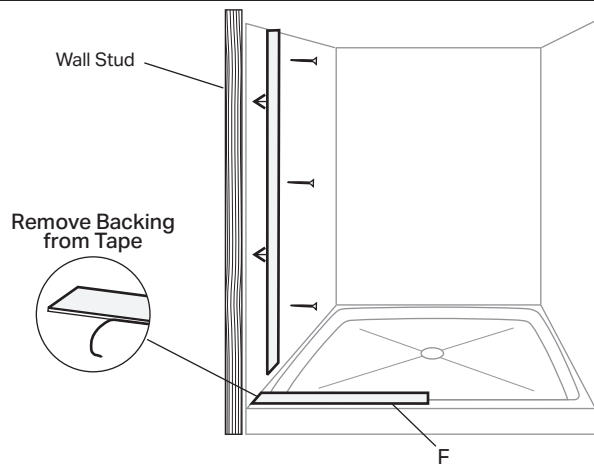


6

INSTALLING THE CHANNELS

Install the bottom glazing channel (F) first. Pull the tape backing from this channel and set it in place on the threshold, positioning it in the center of the threshold. Make sure to position it carefully as the tape is very strong! Press glazing channel (F) down and hold for 10 - 15 sec.

Install the vertical glazing channel (G) by screwing it to the shower wall using the 2" panhead screws (H).



7

DRY FITTING SIDE PANEL

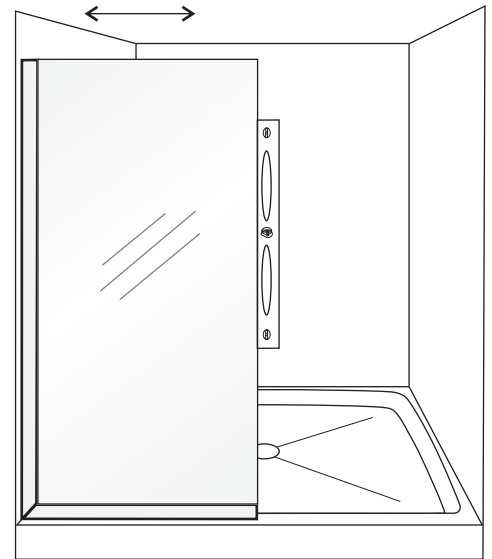
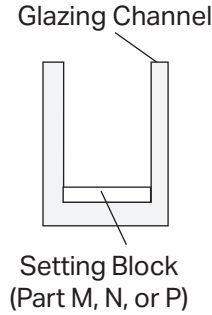
Note: Please Handle Glass With Care!

Put two setting blocks (Part M, N, or P) into the bottom glazing channel to rest the side glass panel onto when dry-fitting it. Setting blocks may have to be changed or adjusted later.

Place side panel (B) inside the glazing channels.

Place a level on the edge of the side panel (B) and then adjust the setting blocks in order to make the glass plumb. Several thicknesses of setting blocks are provided to help with adjustments.

Leave glass panel in place. The side panel is needed to line up the door in a later step.



8

HINGE INSTALLATION

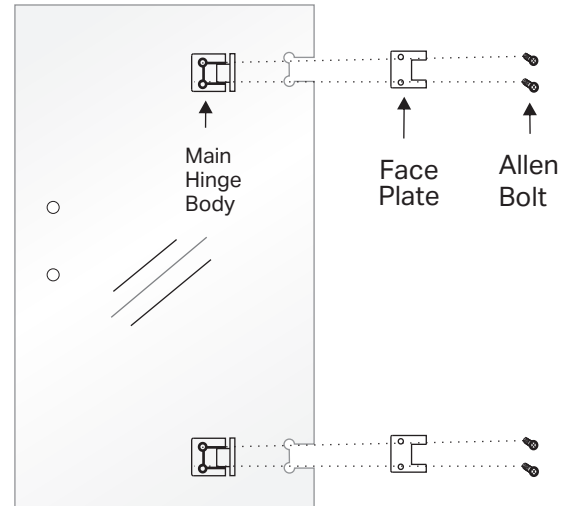
Remove faceplate from the hinge (C).

Place hinge body into the notch in the glass door panel (A) and reassemble the hinge, tightening the allen bolts on the faceplate.

Only partially tighten the hinges so that they do not move. They can be fully tightened after the hinges are attached to the wall.

Note: The allen tightening bolts on the hinges should be to the inside of the shower (for cosmetic purposes).

If using mosaic tile, hinges may need to be shimmed to allow sufficient clearance for the door to operate.



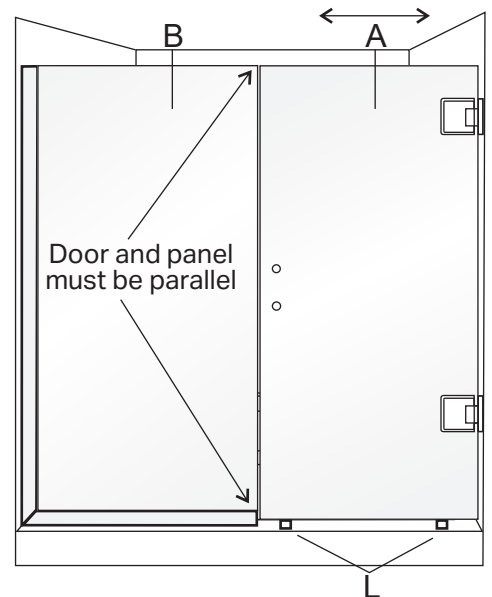
9

LINING DOOR PANEL AND SIDE PANEL UP

Note: Two People Are Needed In This Step!

Place 1/2" black spacers (L) on the base where the door will rest, then set the door onto spacers.

Line up the door glass with side glass panel so that both the top and the bottom parallel. Also, it is important to make sure that the door glass is on the centerline found in step 2.



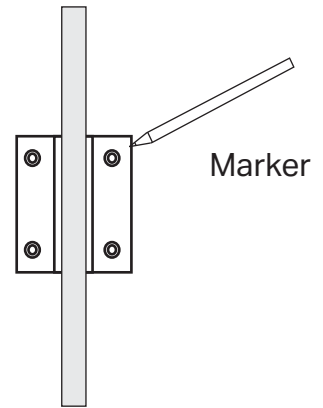
10

MARKING HINGE PLACEMENT

With the door glass lined up with the side glass panel, mark the hinge hole location for drilling.

Once holes are marked, remove the door glass so that the holes can be drilled.

Note: Be very careful moving the glass as tempered glass is sensitive, especially along the edges.



11

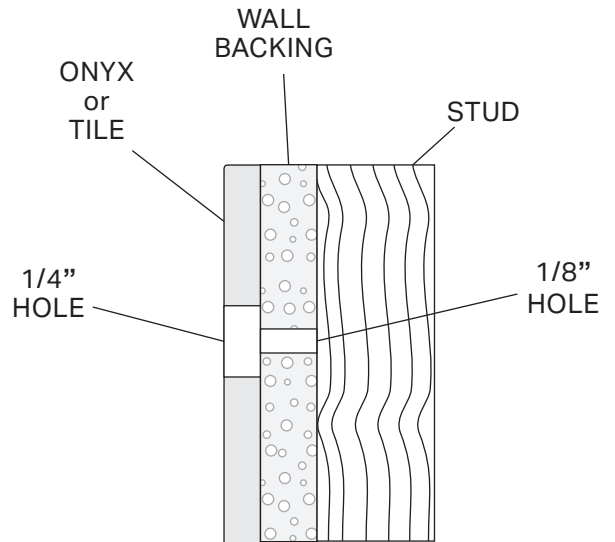
PRE-DRILLING FOR HINGES

Pre-drill holes through the shower wall using a 1/4" drill bit.

Pre-drill through wall backing using 1/8" drill bit.

Clean debris from threshold to prepare for mounting the glass door.

Wall Studs are necessary for support when installing frameless shower doors



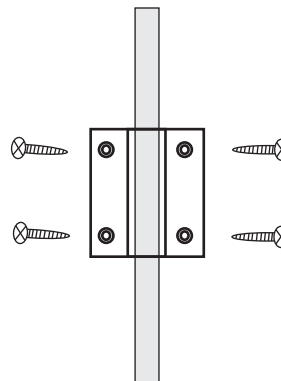
12

ATTACHING HINGES TO WALL

Place the door glass back onto the 1/2" black setting blocks. and line up the hinges with the holes. Use the screws provided to attach the hinges to the wall.

Note: Use a #2 phillips screw driver to tighten the screws as a power drill can both slip and scratch the finish and also damage the glass.

Once the hinges are tightened, check the door for plumb and tighten the hinges to the glass using the allen wrench. The door should now open and close.

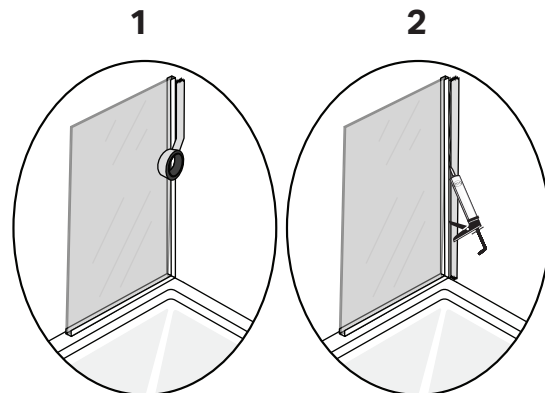


13

SILICONE

To apply the cleanest bead of silicone, use the yellow masking tape to tape along the seams (Glass-to-Channel and Channel-to-Onyx.)

Silicone the Fixed Glass Panel (Glass-to-Channel and Channel-to-Onyx.)



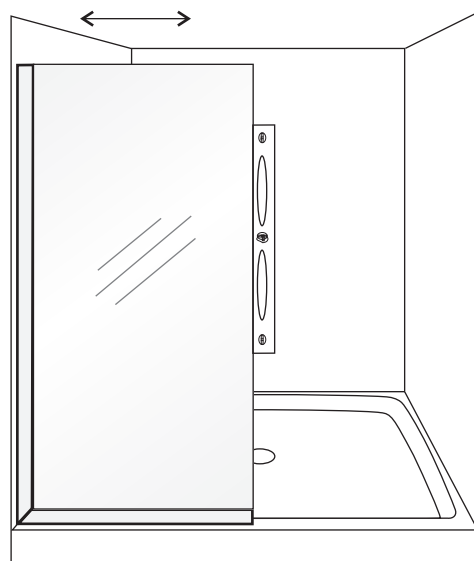
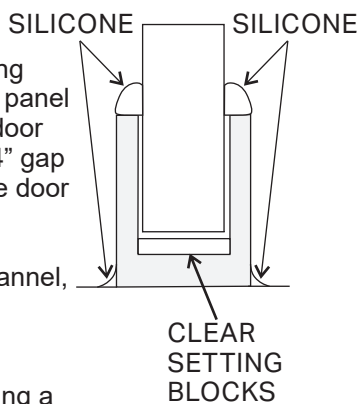
14

INSTALLING SIDE PANEL

Place side panel (B) back in to the glazing channels. Check the position of the glass panel and make sure it is still lined up with the door glass. Ideally, there should be about a 1/4" gap (+/- 1/16") between the side panel and the door glass.

Note: If any silicone "oozes" out of the channel, clean it off quickly using a spraybottle of rubbing alcohol and paper towels.

Now seal the glass and channel by applying a small silicone bead where the channel meets the glass, and where the channel meets the base curb and walls.



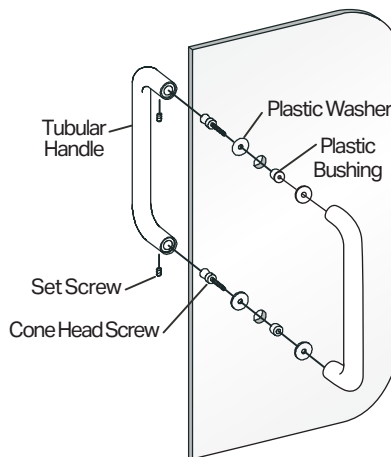
15

INSTALLING HANDLE

Loosen set screws using a small allen wrench (BE CAREFUL NOT TO UNSCREW ALL THE WAY!), then remove handle and unscrew cone head screws.

Place one plastic washer and one plastic bushing onto the cone head screw and then slide this screw through the top hole in the glass door. Next, place one plastic washer onto the screw and then attach handle (do not tighten all the way). Repeat above step for bottom hole then tighten all the way.

Slide handle over cone head screw then tighten set screws using the allen wrench.



16

INSTALLING GAP VINYL

Measure the gap between the door panel and the side panel. Choose appropriate vinyl.

Clean and degrease edge of glass with isopropyl alcohol.

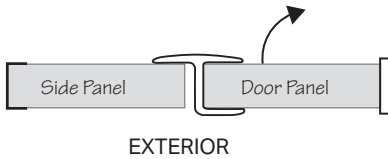
Cut the vinyl to length and remove the tape backing. Carefully press the vinyl onto the edge of the side panel or the door panel. Repeat steps for the hinge side of door panel.

If supplied, you may use the optional clip on H vinyl between door and panel.

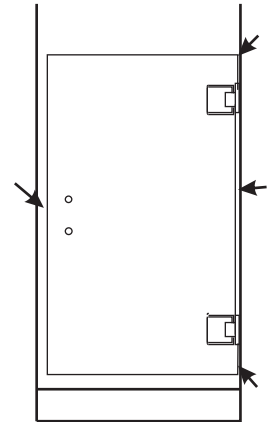
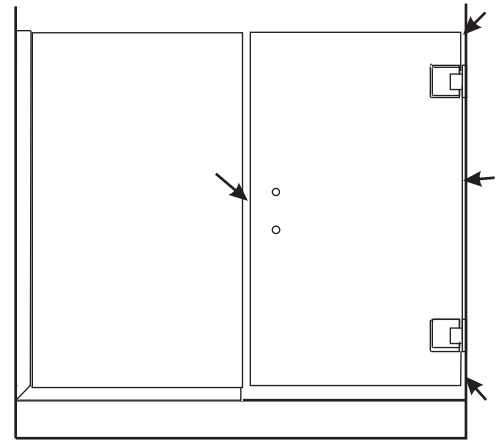
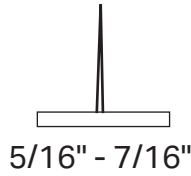
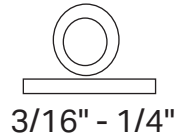
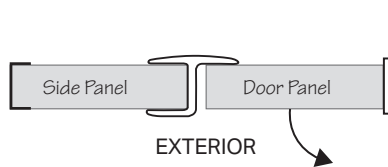
If the H vinyl is used, the door will only open one way! Install the vinyl so the gap between the door and panel is covered on the interior of the shower. See drawing for reference.

Leaving the door open for 24 hours before closing will allow tape on vinyls to achieve maximum bond.

DOOR OPENS INTO SHOWER



DOOR OPENS OUTWARD



17

INSTALLING DOOR SWEEP

Measure door opening and cut the bottom drip sweep so that it will extend all the way from the side glass panel to the shower wall on the hinge side of the door.

If there is no side panel, the sweep should extend from the shower wall on the hinge side of the door to the handle side of the door.

If using the H vinyl, the sweep should be trimmed just short of it and should not touch the H vinyl. This will allow the glass to make a good seal against the H vinyl.

Slide door sweep onto bottom of door panel so the deflector leg is to the interior of the door.

