



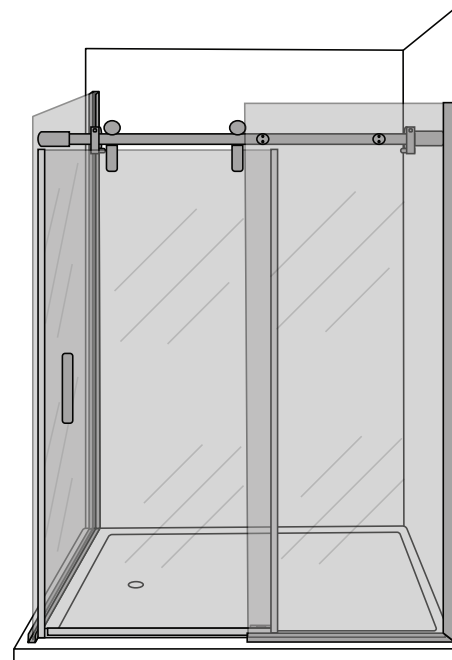
INSTALLATION INSTRUCTIONS

105 Broadway St. Belvue, KS 66407
Phone: 800-669-9867 Fax: 800-393-6699
www.onyxcollection.com

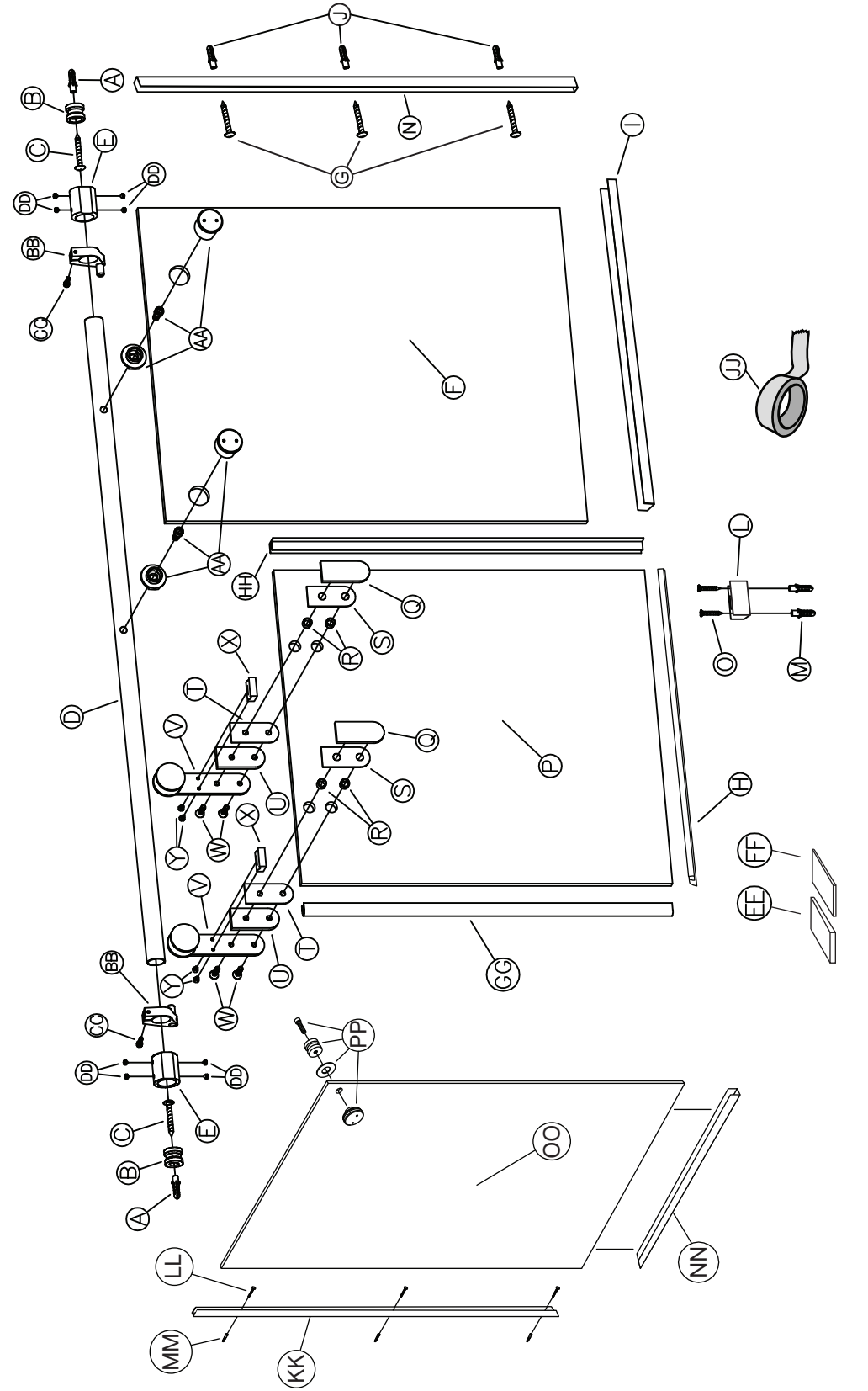


Barn Style Sliding Door with Return

Heavy Frameless Barn
Door Bath Enclosure



BARN DOOR WITH RETURN PARTS LIST



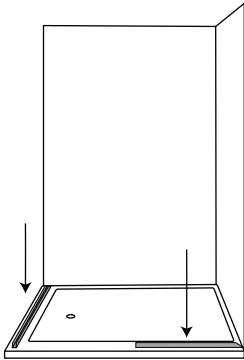
- I Bottom Channel
- NN Return Bottom Channel
- N Wall Jamb
- G Wall Jamb Screws
- J Wall Jamb Anchors
- KK Return Jamb
- LL Return Jamb Screws
- MM Return Jamb Anchors
- L Door Guide
- M Door Guide Anchor
- F Fixed Panel
- P Door Panel
- OO Glass Return Panel
- A Bar Mount Anchor
- B Bar Mount Blocks
- C 1/4 x 2 1/2" Truss Head Screw
- DD Bar Mount Set Screw
- D Header Bar
- E Bar Mount Sleeve
- BB Stopper
- CC Stopper Screw
- AA Glass Mount Assembly
- PP Return Mount Assembly
- V Roller Plate
- X Anti-Jump
- Y Anti-Jump Screw
- EE 1/8" Setting Blocks
- FF 1/16" Setting Blocks
- JJ Tape for Silliconing
- H Drip Vinyl
- GG Bulb Vinyl
- HH Panel Seal

QUICK OVERVIEW

Step #1: Bottom Channels, Wall Jambs, and Door Guide (Page 6)

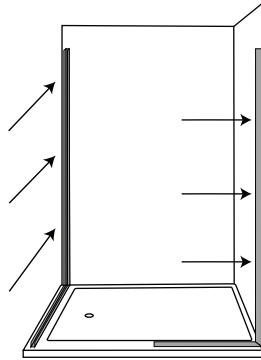
1a

Setting the Bottom Channels



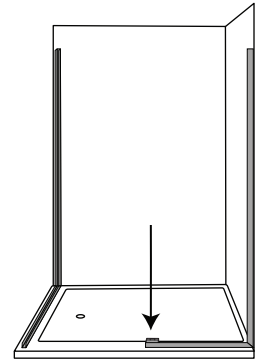
1b

Installing the Wall Jambs



1c

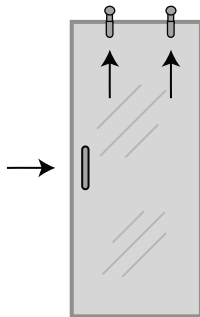
Installing the Door Guide



Step #2: Door Panel Preparation (Page 7)

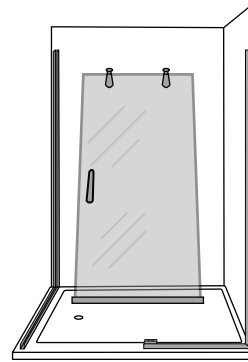
2a

Mounting the Roller Assemblies and the Door Handle



2b

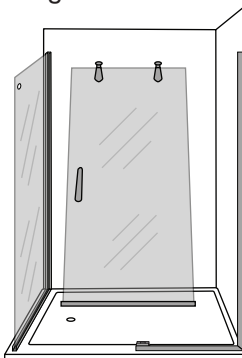
Setting the Door Panel Inside the Shower



Step #3: Return Panel Installation (Page 7)

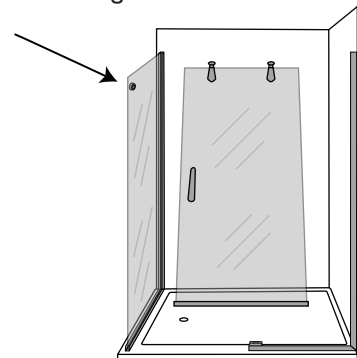
3a

Installing the Return Glass Panel



3b

Installing the Return Mount Assembly

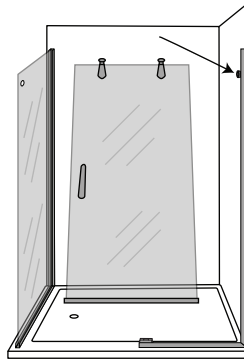


Step #4:

Bar Mount Block

(Page 8)

Installing the Bar Mount Block



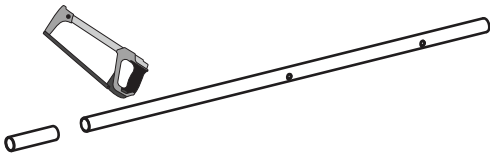
Step #5:

Header and Fixed Glass Panel Installation

(Pages 8-9)

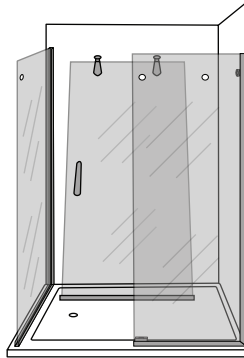
5a

Measuring and Cutting the Header Bar



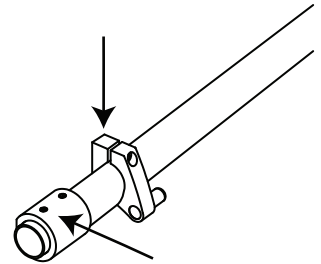
5b

Installing the Fixed Glass Panel



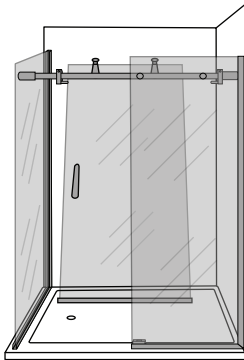
5c

Sliding the Stoppers and Wall Mount Sleeves onto the Header Bar



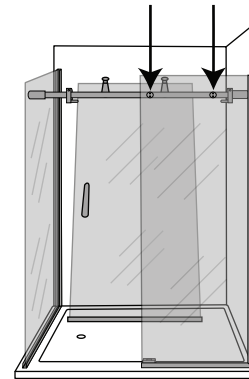
5d

Mounting and Leveling the Header Bar



5e

Attaching the Glass Mount Assembly to the Fixed Panel

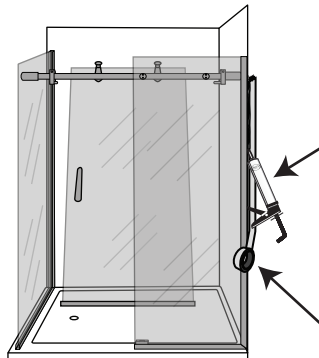


Step #6:

Silicone

(Page 9)

Taping and siliconing for bottom channel and wall jamb

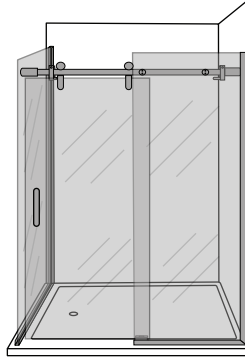


Step #7:

Door Panel Installation

(Page 9)

Hanging the Door Panel on the Header Bar



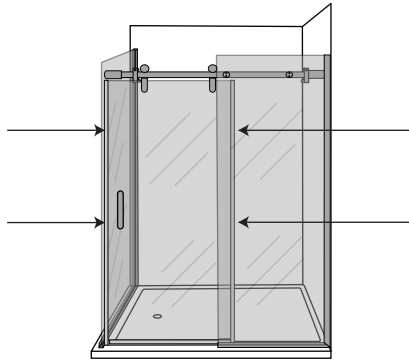
Step #8:

Finishing Steps

(Page 10)

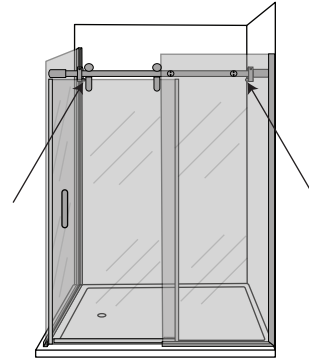
8a

Installing the Seals for the Door



8b

Setting the Door Stoppers on the Header Bar



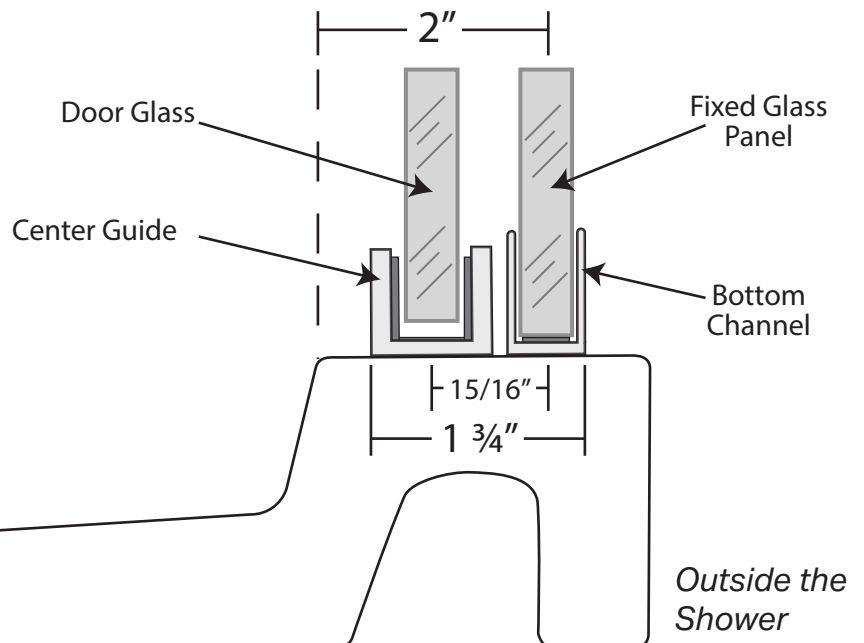
Notes:

-This is a two person installation.

FOOT PRINT

The width of the Door unit's base is 1 3/4". Consider these measurements before drilling.

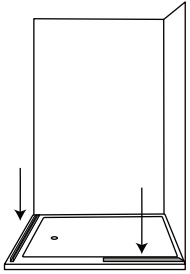
All marks made on the shower should be made lightly in pencil so they can be removed after the installation is complete. An optional method is to use masking tape on the walls and sill that can be removed as the installation progresses.



DETAILED INSTRUCTIONS

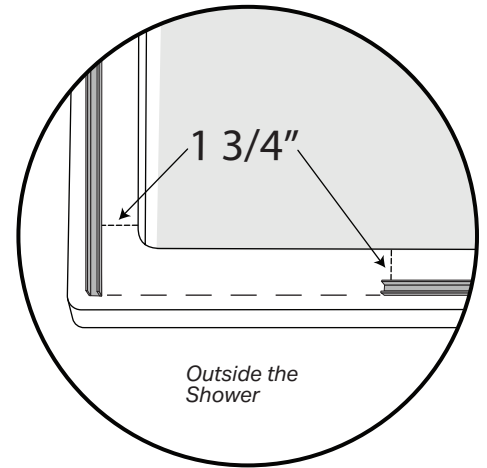
Step #1: Bottom Channels, Wall Jambs, and Door Guide

1a: Setting the Bottom Channels

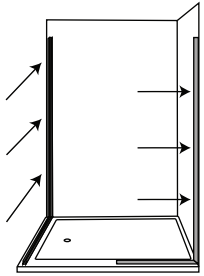


Parts Needed:
Bottom Channels [I]

- Set the two Bottom Channels down on the curb and line them up as shown in the picture on the right.
- These Bottom Channels should both be about 1 3/4" from the inside edge of the curb (as shown in the picture on the right).
- Then mark the location of the channels and tape them down.
- Press down and hold for a few seconds for the tape to adhere.

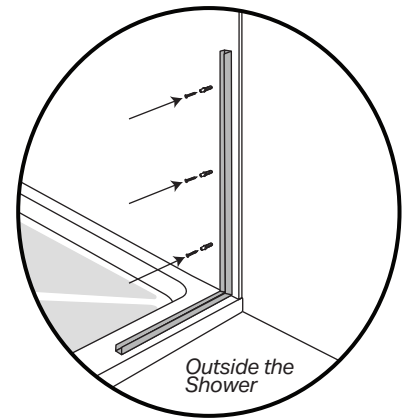


1b: Installing the Wall Jambs

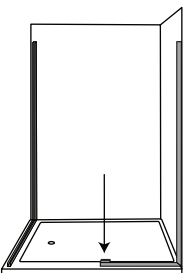


Parts Needed:
Wall Jambs [N], Wall Jamb Screws [G], Wall Jamb Anchors [J]

- Set the Wall Jambs on the Bottom Channels, as shown in the drawing on the right.
- Use a level to make the Wall Jambs plumb on the wall.
- Mark and drill the holes in the Wall Jambs.
- Mount the Wall Jambs to the wall using the screws and anchors provided.

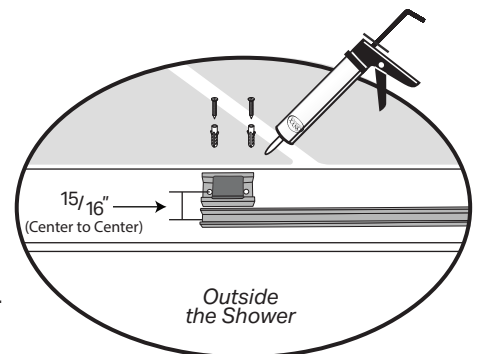


1c: Installing the Door Guide

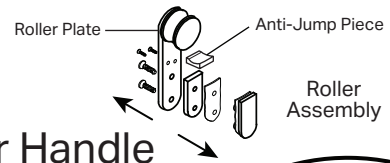


Parts Needed:
Door Guide [L], Door Guide Screws [O], Door Guide Anchors [M], Adhesive Silicone

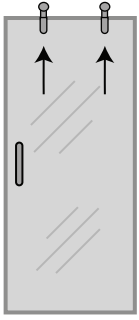
- Measure from the center of the Bottom Channel 15/16" towards the inside of the shower and mark a line. (as shown in the drawing on the right)
- Place the Door Guide centered on the mark and flush with the end of the Bottom Channel.
- Mark and drill two 1/4" holes in the Door Guide attachment locations.
- Clean the area around the holes and put a little silicone into each hole.
- Insert the Door Guide Anchors into the holes and put a little more silicone into each anchor.
- Mount the Door Guide with the Door Guide Screws.



Step #2: Door Panel Preparation

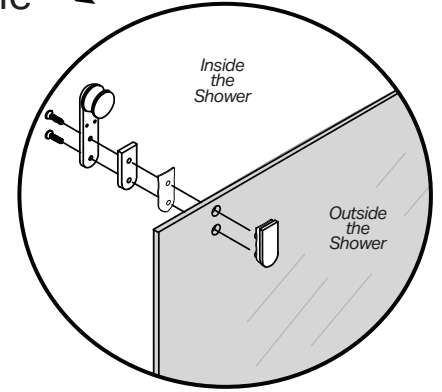


2a: Mounting the Roller Assemblies and the Door Handle

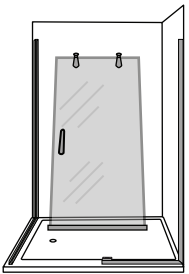


Parts Needed:
2 Roller Assemblies, Door Handle

- Unscrew the Roller Assemblies as shown in the picture above on the right.
- Mount the roller assemblies to the Door Panel, making sure that the Plate with the Roller is to the inside of the shower. (See picture circled on the right)
- Set aside the Anti-Jump piece and Anti-Jump Screws until after the door has been mounted to the header Bar.
- Install your handle option at this time.



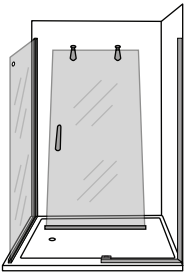
2b: Set the Door Panel Inside the Shower



- First make sure that you will be setting the Door Glass on something so that the glass and the floor of the enclosure are not damaged. The foam edge covers work fine.
- Make sure the Rollers will be facing out and the handle is on the side of the enclosure that the door will strike against.
- Place the Door Glass inside the shower enclosure. (just leaned against the back wall)

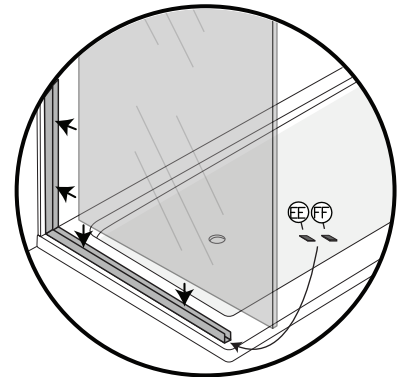
Step #3: Return Panel Installation

3a: Installing the Return Glass Panel

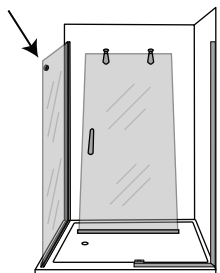


Parts Needed:
Return Glass Panel [F], Setting Blocks [EE & FF]

- Lift the Return Glass Panel and set it in the Bottom Channel with the edge as tight to the wall as possible.
- Use the Setting Blocks to bring the stationary panel to the correct height, flush with the top of the Wall Jamb.

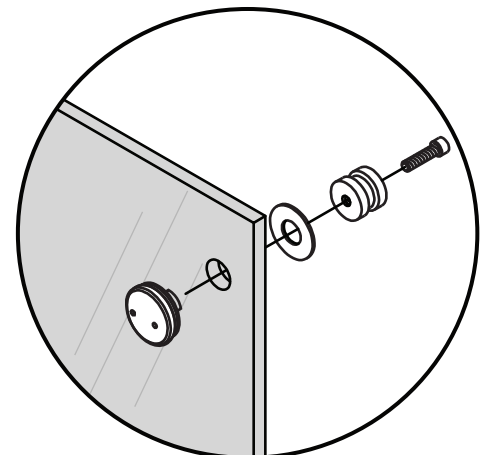
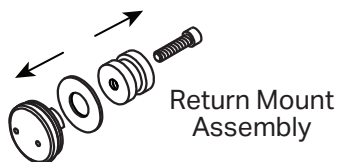


3b: Installing the Return Mount Assembly

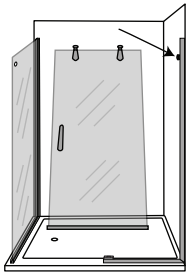


Parts Needed:
Return Mount Assembly [PP]

- Unscrew the Return Mount Assembly.
- Thread the Return Mount Assembly through the hole in the Return Glass Panel as shown on the right.



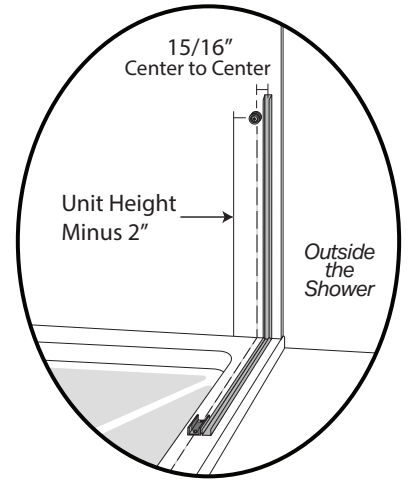
Step #4: Bar Mount Block



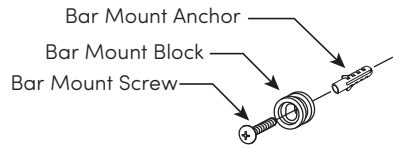
Parts Needed:

Bar Mount Anchor [A], Bar Mount Block [B], 1/4 x 2 1/2" Truss Head Screw [C]

- Take your unit height (on the box label) and subtract 2".
- Measure this distance from the top of the base curb up the wall next to the Wall Jamb as shown on the right.
- Mark this line on the wall 15/16" away from the center of the Wall Jamb.
- Drill the Bar Mount holes 5/16" on the mark and insert the Anchors.
- Using the Truss head screws, attach the Bar Mount Block to the wall with the slot in a vertical position and the Screw centered in the Block.

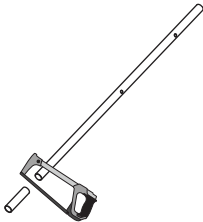


NOTE: Install Wall Mount Block with the slot in the vertical position.



Step #5: Header and Fixed Panel Installation

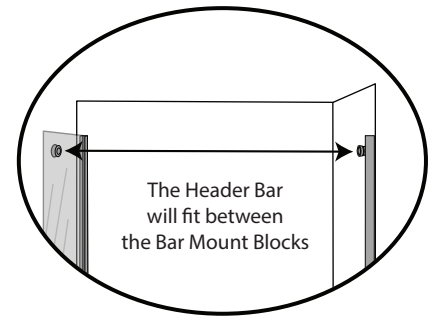
5a: Measuring and Cutting the Header Bar



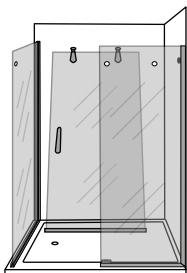
Part Needed:

Header Bar [D]

- Measure the distance between the two Bar Mount Blocks.
- Make sure you will be cutting off the uncut end of the Header Bar, the side with no hole.
- Cut the Header Bar to fit between the Bar Mount Blocks.



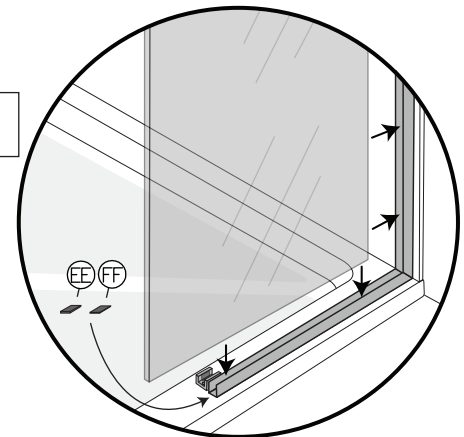
5b: Installing the Fixed Glass Panel



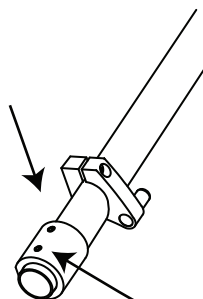
Parts Needed:

Fixed Glass Panel [F], Setting Blocks [EE & FF]

- Lift the Fixed Panel and set it in the Bottom Channel with the edge as tight to the wall as possible.
- Use the Setting Blocks to bring the stationary panel to the correct height, flush with the top of the wall jamb.



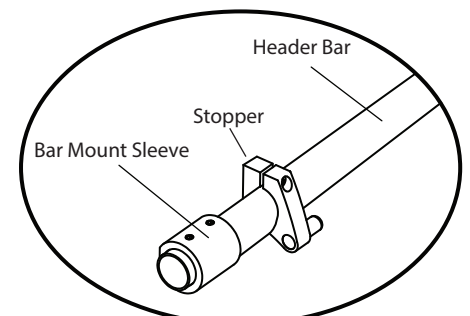
5c: Sliding the Stoppers and Bar Mount Sleeves onto the Header Bar



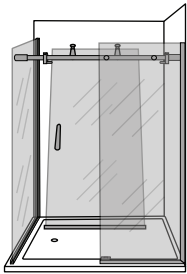
Parts Needed:

2 Stoppers [BB], 2 Bar Mount Sleeves [E]

- Place a Stopper on both ends of the Header Bar with the rubber bumper on each facing the middle of the bar (oriented as shown).
- Slide them toward the middle and snug the Stopper Screw **(DO NOT TIGHTEN)**.
- Slide a Bar Mount Sleeve on both ends of the Header Bar, and snug one Set Screw **(DO NOT TIGHTEN)**.

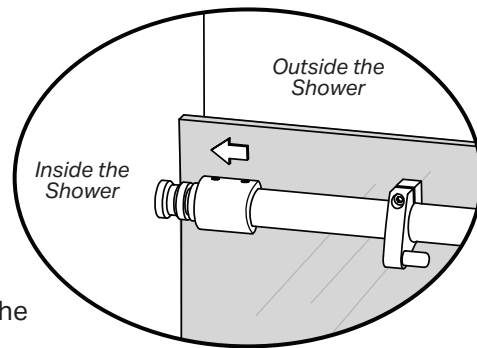
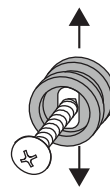


5d: Mounting and Leveling the Header Bar

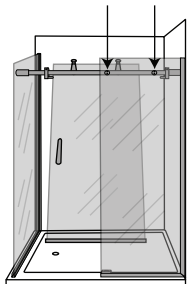


Parts Needed:
Header Bar [D]

- Align the Header Bar with the Bar Mount Blocks, and slide the Bar Mount Sleeves over the Bar Mount Blocks.
- Place a level on the center of the Header Bar and check for level.
- If needed the Bar Mount Blocks can be raised or lowered to make the Header Bar level.
- Line the middle hole of the bar up with the hole located 1 1/2" from the edge of the Fixed Panel.

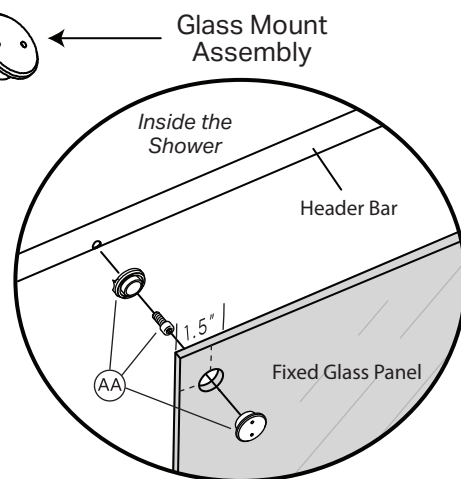
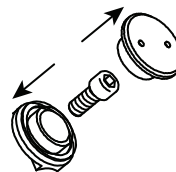


5e: Attaching the Glass Mount Assembly to the Fixed Glass Panel

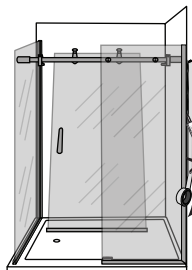


Parts Needed:
2 Glass Mount Assemblies [AA]

- Unscrew the Glass Mount Assembly (See drawing above).
- Attach the Fixed Glass Panel to the Header Bar with the Glass Mount Assemblies as shown in the drawing on the right.
- Snug the Set Screws in the Bar Mount Blocks.

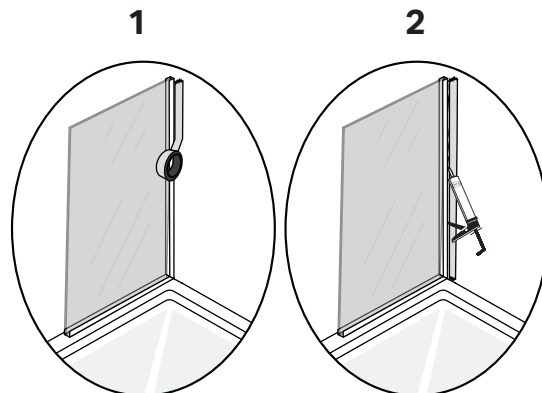


Step #6: Silicone

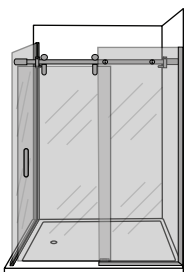


Parts Needed:
Tape and Silicone

- To apply the cleanest bead of silicone, use the yellow masking tape to tape along the seams (Glass-to-Channel and Channel-to-Onyx.)
- Silicone the Fixed Glass Panel (Glass-to-Channel and Channel-to-Onyx.)

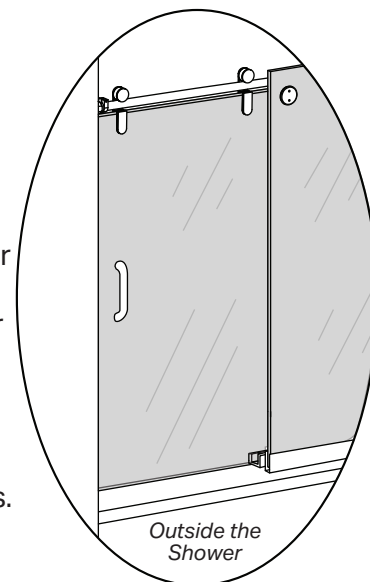


Step #7: The Door Panel Installation



Part Needed:
Door Panel [P], Drip Vinyl [H], Anti-Jump [X], Anti-Jump Screws [Y]

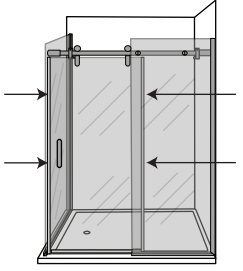
- Lift the Door Panel and place the rollers on the bar and clip on the Drip Vinyl with the deflector leg to the inside of the door.
- Then lift the Door Glass and carefully set the bottom edge of the Door Glass into the Center Guide.
- To adjust the door glass height, adjustments must be made to the Bar height. Adjustments can be made in the Bar Mount Blocks (See step 4).
- Once you have the Header Bar set as you want it, and the Fixed Panel positioned correctly, tighten the Bar Mount Set Screws, then the Glass Mount Screws and Caps.
- Install the Anti-Jump and Anti-Jump Screws on both Roller Assemblies.



CAUTION: Do not remove both Glass Mount Caps at the same time.

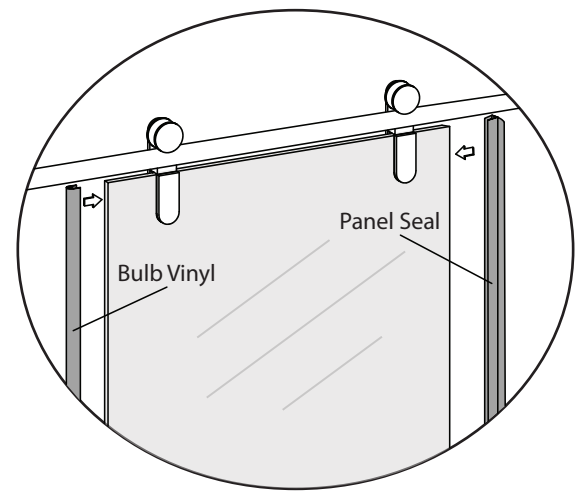
Step #8: Finishing Steps

8a: Installing the Seals for the Door

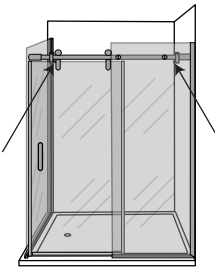


Parts Needed:
Bulb Vinyl [GG], Panel Seal [HH]

- Cut the Bulb Vinyl [GG] and the Panel Seal [HH] to the vertical length of your Door Glass.
- Press the Bulb Vinyl on the strike side of the Door Glass and the Panel Seal on the other, below the Header Bar.
- A small amount of silicone can be used between the glass and seal if you like.

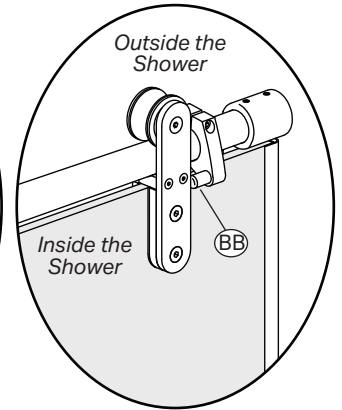
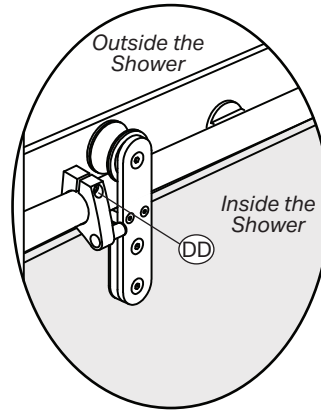


8b: Setting the Door Stoppers on the Header Bar



Parts Needed:
Stoppers [BB], Stopper Set Screws [DD]

- Move the door to the closed position.
- Slide the Stopper [BB] over until it touches the bottom of the roller on the strike side of the door, making sure that the bottom of the stopper will clear the top of the door glass.
- Tighten the Stopper Set Screw [DD].
- Move the door to the open position with the handle 1/4" - 1/2" from hitting the fixed panel.
- Slide the other stopper over until it just touches the bottom of the roller on the fixed side of the door.
- Tighten the Stopper Set Screw.



Final Notes:

- Make sure that all fasteners are tight.
- Clean all exposed marks you made on curb sill and walls of the shower stall.
- Clean the glass panels.
- Allow 24 hours for any silicone to completely cure, before using your new Shower Door.