



STANDARD TUB SURROUND

Voice: 1-800-ONYX-TOP (1-800-669-9867)

ORDER FORM

Your Company: _____

Emails orders to: orders@onyxcollection.com

Email quotes to: quotes@onyxcollection.com

Your Name: _____ Your Phone # _____ P.O.# _____

Date Ordered: ____ / ____ / ____ Install Date: ____ / ____ / ____ Customer Name: _____

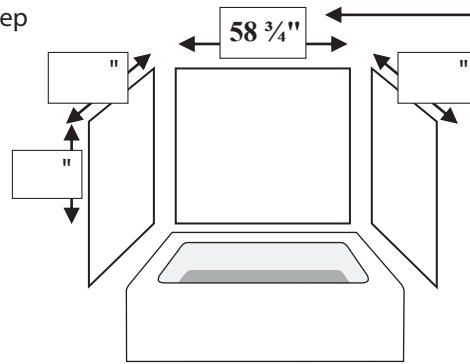
FORMS-OR-0723

STANDARD TUB SURROUND KIT

Standard Kit can be up to 60" wide x 36" deep

IMPORTANT

Specify Panel Widths and Heights in the boxes provided.



$58 \frac{3}{4}"$ is the correct panel width to properly fit a 60" Tub. If your Tub is not 60", please use Custom Panel Pricing.

- GLOSS
- WAVY TILE
- STONE TILE
- SUBWAY
- SHIPLAP

FINISH
Check One

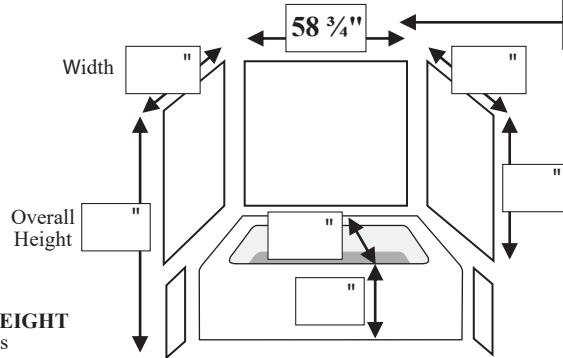
COLOR

\$ _____

STANDARD TUB REMODELERS KIT

IMPORTANT

Specify Panel Widths and Heights in the boxes provided.



$58 \frac{3}{4}"$ is the correct panel width to properly fit a 60" Tub. If your Tub is not 60", please use Custom Panel Pricing.

- GLOSS
- WAVY TILE
- STONE TILE
- SUBWAY
- SHIPLAP

FINISH
Check One

COLOR

\$ _____

Please SPECIFY TUB HEIGHT for Extension Panels

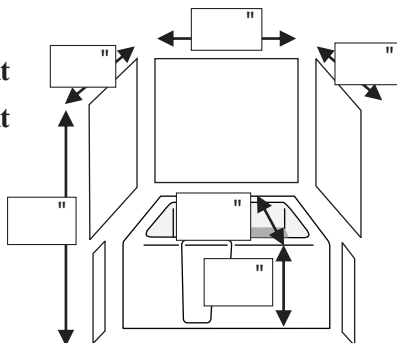
WALK-IN TUB SURROUND KIT

① Walk-in Tub Kit - Walls Only

② Walk-in Tub Kit - With side shelf

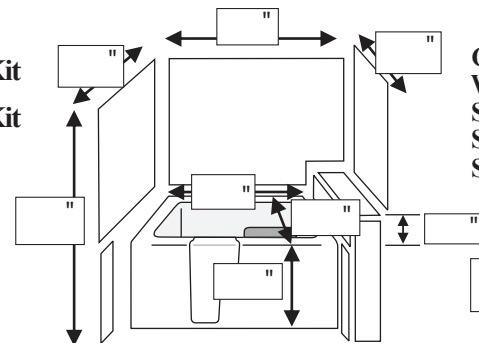
36" Tall Kit

48" Tall Kit



36" Tall Kit

48" Tall Kit



- GLOSS
- WAVY TILE
- STONE TILE
- SUBWAY
- SHIPLAP

FINISH
Check One

COLOR

\$ _____

QUANTITY

Give additional instructions on a separate sheet

COLOR

PRICE

Color Matched 100% SILICONE 10.3 oz. (Needed for seams, even if you are tiling your walls - Tile grout WILL NOT STICK to our shower base) \$ _____

Clear Adhesive 100% SILICONE 10.3 oz. (Average 1 tube /1150 square inches of panels & trim) \$ _____

BORDERS, STRIPES or INLAYS on Wall Panels Please specify, including color, width, locations and square or round inside border corner on separate sheet. \$ _____

\$ _____