



# INSTALLATION INSTRUCTIONS

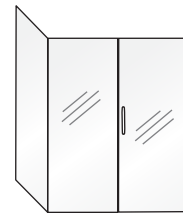
105 Broadway St. Belvue, KS 66407  
Phone: 800-669-9867 Fax: 800-393-6699  
www.onyxcollection.com

 **ALUMAX**  
BATH ENCLOSURES  
by Sapa  
800-643-1514  
www.alumaxshowerdoor.com

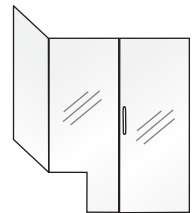


## PL-93

### Frameless Door with Panel & Return



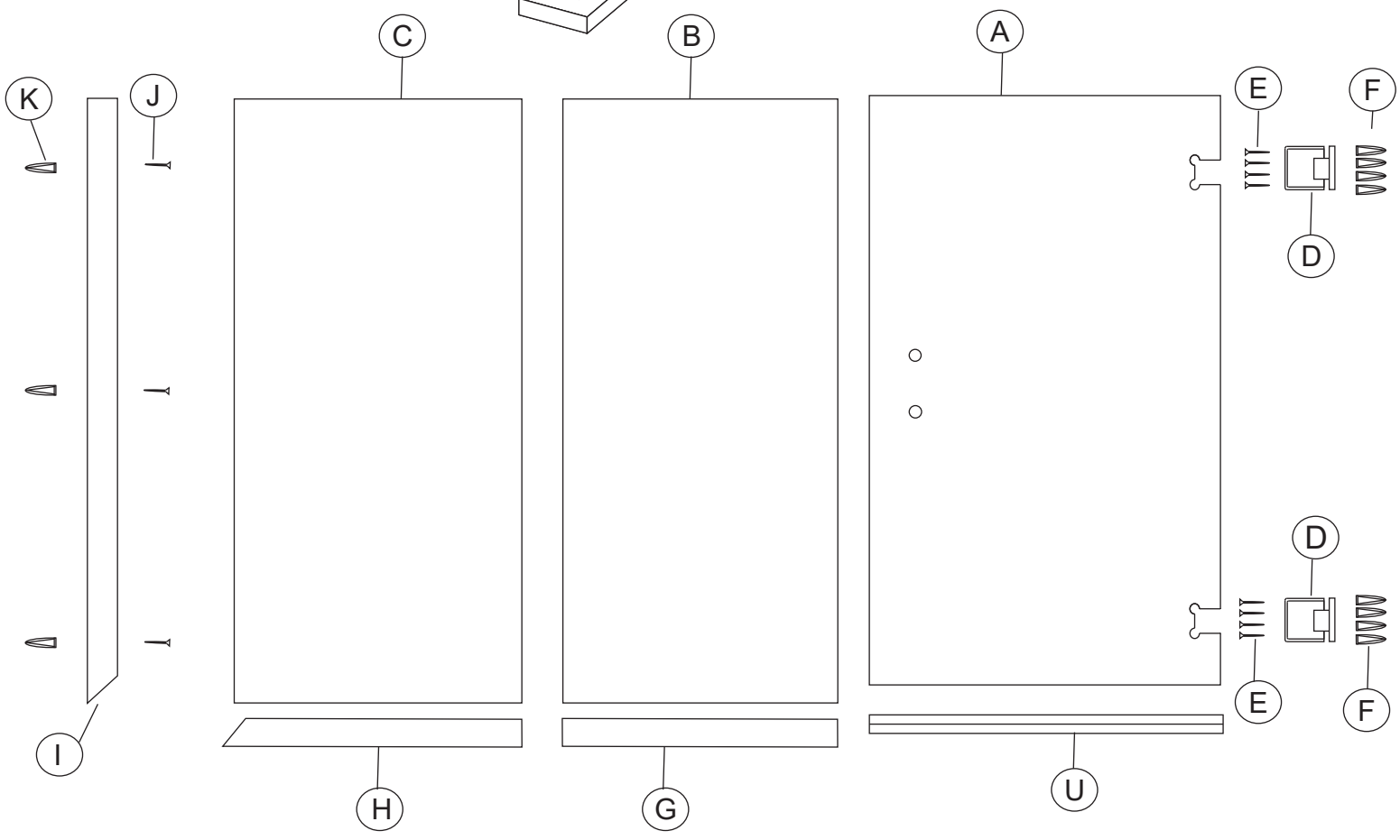
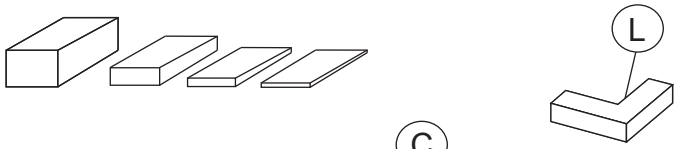
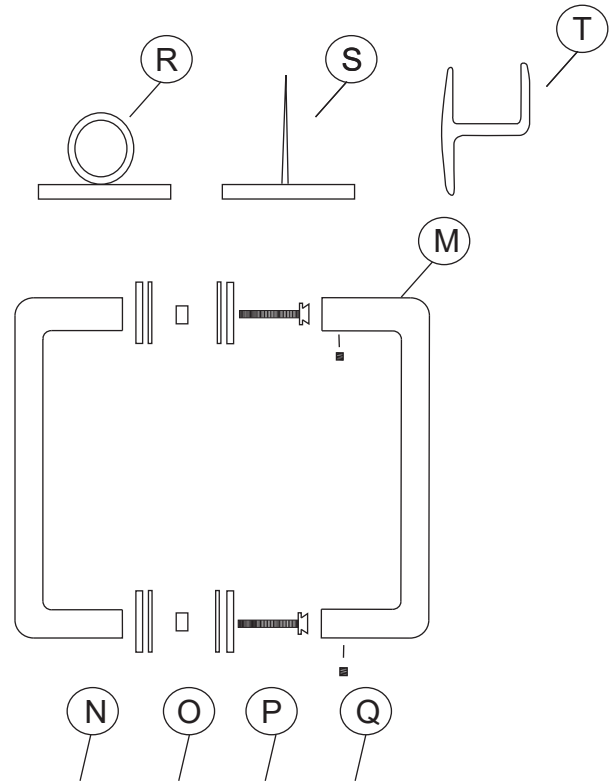
Full Showers  
with Return



Bench Seat  
with Return

# Parts List

- A) Door Panel
- B) Side Panel or Notched Panel
- C) Return Panel
- D) 2 Hinges
- E) Polished Pan Head Screws
- F) 1/4" Anchors (Grey)
- G) Glazing Channel w/ double stick tape for Side Panel
- H) Glazing Channel w/ double stick tape for Return Panel
- I) Glazing Wall Channel w/ 3 holes
- J) 2" Pan Head Screws
- K) 1/4" Anchors (Blue)
- L) 90 Degree Sleeve Over
- M) 8"x8" Handle
- N) 1/2" Black Spacers
- O) 1/4" Clear Setting Blocks
- P) 1/8" Clear Setting Blocks
- Q) 1/16" Setting Blocks
- R) 2 Tape on Bubble Vinyl
- S) 2 Tape on T Vinyl
- T) 1 Clip on H Vinyl
- U) Door Sweep



# INSTALL INSTRUCTIONS

## 1

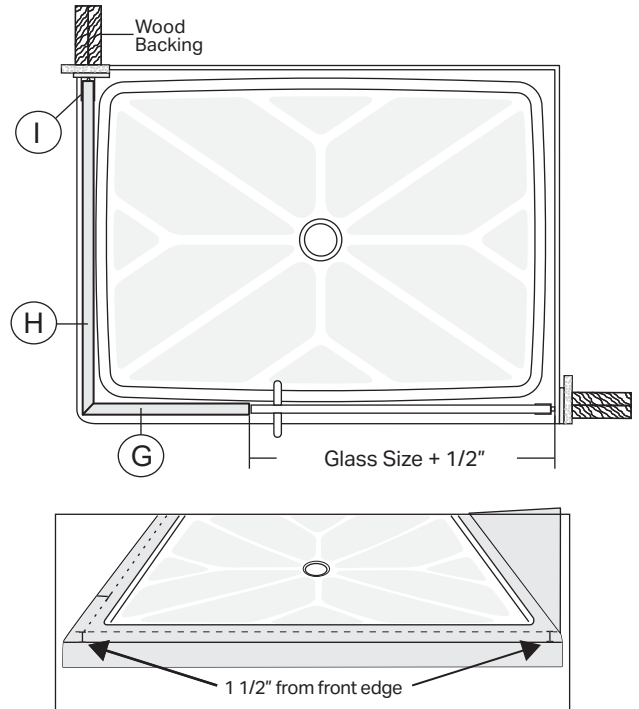
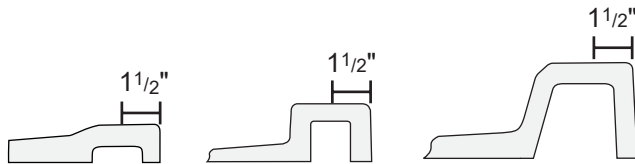
### Initial Lay-out of Bottom Glazing Channels

The door will need to be placed on center of the threshold. To find the center line, measure back 1 1/2" from the front edge of the curb that the door will be installed on. Mark with a grease pencil or non abrasive marker. This is your center line.

Measure the opening for the door, which is the width of the door panel (A) + 1/2" and mark the location on the shower curb.

Locate the bottom glazing channels (G & H). Place the side panel glazing channel (G) on the center line of the curb, allowing the proper opening width for the door.  
**DO NOT REMOVE THE TAPE BACKING AT THIS TIME!**

Place the return panel glazing channel (H) on the curb so that the miter forms a corner with the side panel channel (G).  
**DO NOT REMOVE THE TAPE BACKING AT THIS TIME!**  
The return panel glazing channel may require trimming.

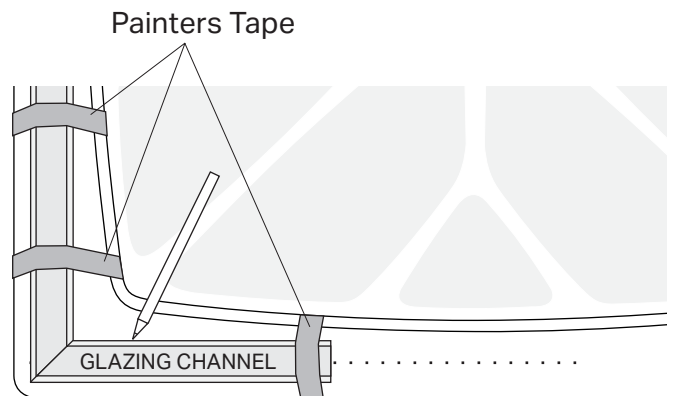


## 2

### Positioning the Bottom Glazing Channels

Once the side & return glazing are fitted, use painters tape to temporarily secure them in place.

Use a washable marker or a grease pencil to mark the location of the channel on the shower threshold. This is necessary as the channels will need to be removed in a later step.



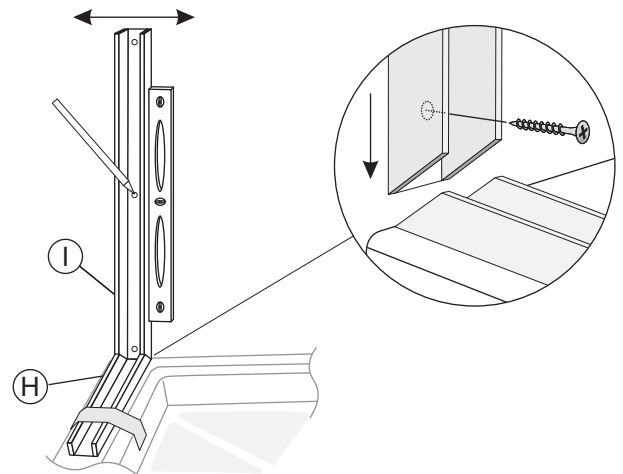
## 3

### LINING UP VERTICAL GLAZING CHANNEL

Place vertical glazing channel (I) on top of the return panel glazing channel (H) and line them up where they meet in the bottom corner.

Using a level, plumb the vertical glazing channel. This is a very important step so take time to make sure the vertical channel is perfectly plumb.

Mark holes for drilling and remove all glazing channels.



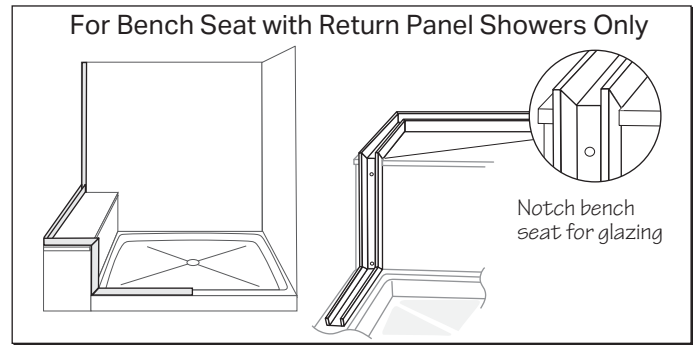
# 4

## SPECIAL INSTRUCTIONS FOR BENCH SEAT SHOWERS

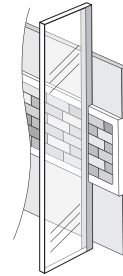
For shower doors that have a notched glass panel with a return glass panel, the glazing channel will need to be installed on the vertical face of the seat, and along the top part of the seat as shown in the picture.

The overhang on the seat will need to be notched where the glazing channel will go.

If there is any mosaic tile in the opening, this will need to be notched to allow the channel to lay flat against the shower wall.



Notch, shape, or modify mosaic trim around door channel or glass



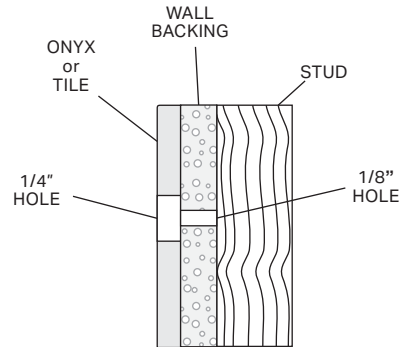
# 5

## PRE-DRILLING FOR GLAZING CHANNELS

Pre-drill holes through the shower wall using a 1/4" drill bit. Pre-drill through wall board using 1/8" drill bit.

Note: If there is no wood backing, use the anchors provided.

Clean all dust and debris from the shower wall and the threshold to prepare for mounting the channels.



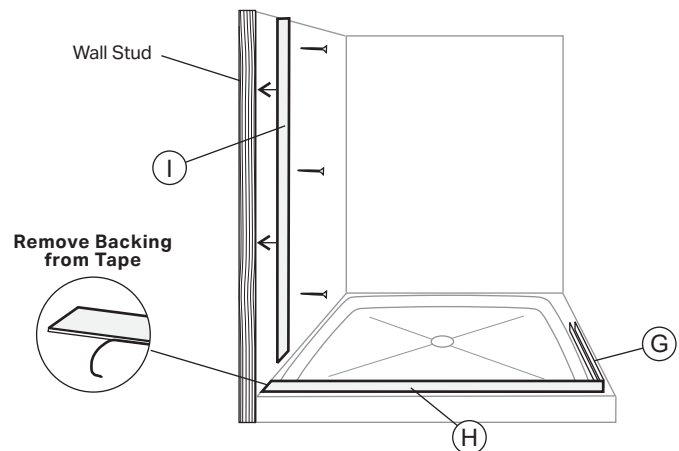
# 6

## INSTALLING THE CHANNELS

Install the bottom glazing channels. Start with the return panel glazing channel (H). Pull the tape backing from the channel and set it in the place on the shower curb, positioning it within the markings made in step 3. Make sure to position it carefully as the tape is very strong! Press glazing channel (H) down and hold for 10 - 15 seconds.

Remove the tape backing from the side panel glazing channel (G), and place on the curb in the markings made in step 3. Make sure it fits tightly against the return glazing channel (H). Press and hold in place for 10 - 15 seconds.

Install the vertical glazing channels (I) by screwing it in to the shower wall using the 2" pan head screws (J).

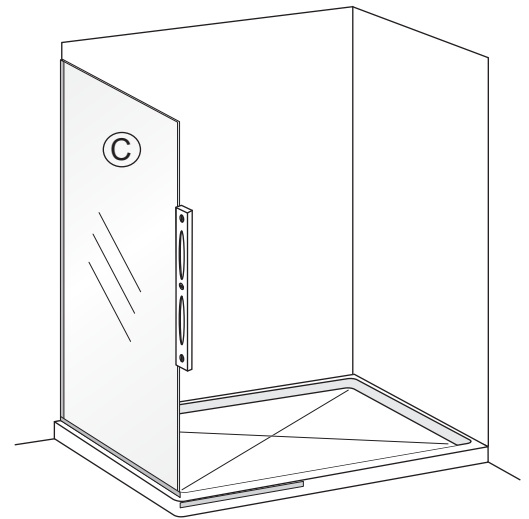
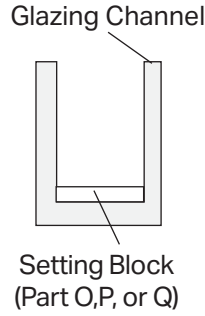


# 6

## DRY FIT THE FIRST GLASS PANEL

Put two setting blocks (Part O, P, or Q) into the return panel glazing channel (H) to rest the return glass panel onto when dry-fitting it. Setting blocks may have to be changed or adjusted later. Place return panel (C) inside the glazing channels.

Place a level on the edge of the return panel (C) and then adjust the setting blocks in order to make the glass plumb. Several thicknesses of setting blocks are provided to help with adjustments.



# 7

## DRY FIT THE SECOND GLASS PANEL

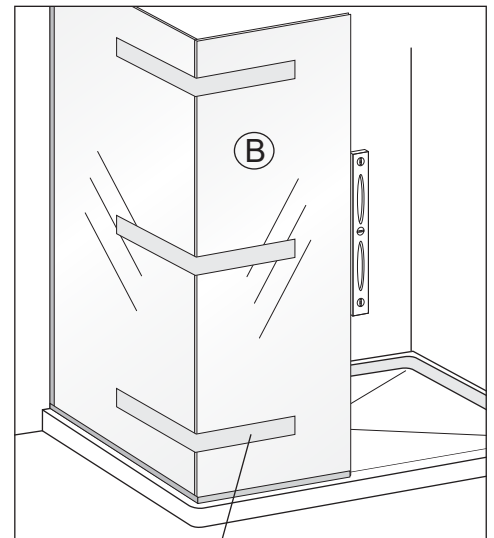
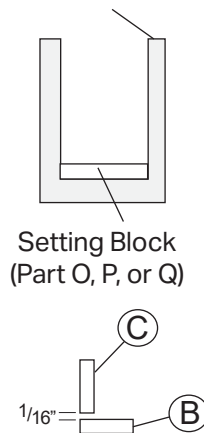
*Note: Please Handle Glass With Care!*

Put two setting blocks (Part O, P, or Q) into the side panel glazing channel (G) to rest the side glass panel onto when dry fitting it. Setting blocks may need to be changed or adjusted later.

Place side panel (B) into the glazing channel.

Place a level on the edge of the side panel (B) and adjust the setting blocks to make the glass plumb. Several thicknesses of setting blocks are provided to help with adjustments.

Leave the side panel in place, it will be needed to adjust the door in a later step. Use painters tape to help hold glass panels together.



# 8

## HINGE INSTALLATION

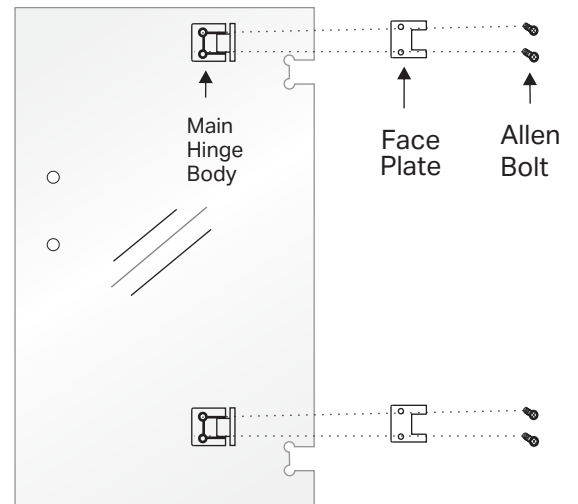
Remove face plate from the hinge (D).

Place hinge body into the notch in the glass door panel (A) and reassemble the hinge, tightening the allen bolts on the face plate.

Only partially tighten the hinges so that they do not move. They will be fully tightened later, when the hinges are attached to the wall.

Note: The allen tightening bolts on the hinges should be to the inside of the shower (for cosmetic purposes).

If using mosaic tile, hinges may need to be shimmed to allow sufficient clearance for the door to operate.



# 9

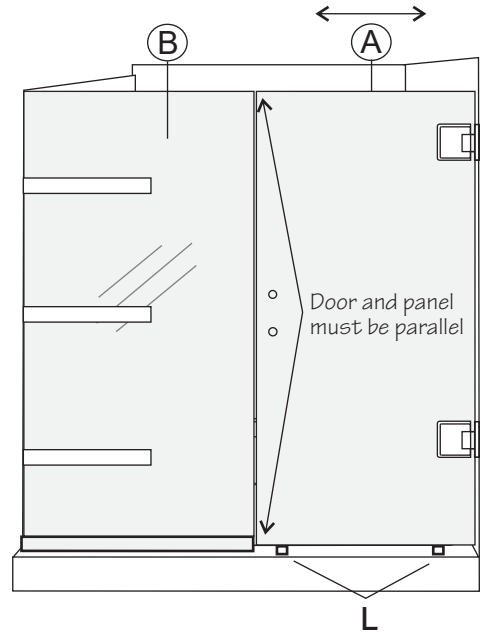
## LINING UP DOOR PANEL AND SIDE PANEL

### **Note: Two People Are Needed In This Step!**

Place 1/2" black spacers (N) where the door will rest on the shower curb, then place the door onto the spacers.

Line up the door glass with side glass panel so that both the top and the bottom are parallel.

To ensure a good seal on the door, it is important to make sure that the door glass is lined up with the side panel on the center line of the base.



# 10

## MARKING HINGE PLACEMENT

With the door glass lined up with the side glass panel, mark the hinge hole location for drilling.

Once holes are marked, remove the door glass so that the holes can be drilled.

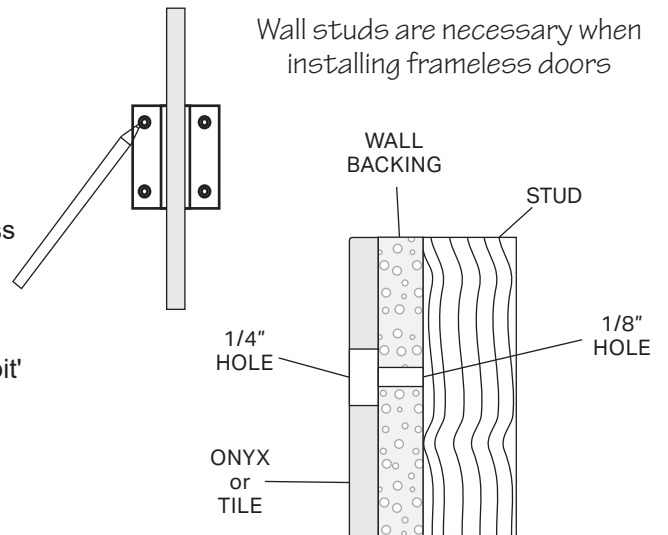
Note: Be very careful moving the glass as tempered glass is sensitive, especially along the edges.

## PRE-DRILLING FOR HINGES

Pre-drill holes through the shower wall using a 1/4" drill bit'

Pre-drill through wall backing using 1/8" drill bit.

Clean debris from threshold to prepare for mounting the glass door.



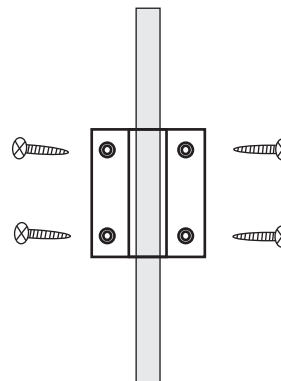
# 11

## ATTACHING HINGES TO WALL

Place the door glass back onto the 1/2" black setting blocks. and line up the hinges with the holes. Use the screws provided to attach the hinges to the wall.

Note: Use a #2 phillips screw driver to tighten the screws as a power drill can both slip and scratch the finish and also damage the glass.

Once the hinges are tightened, check the door for plumb and tighten the hinges to the glass using the allen wrench. The door should now open and close.

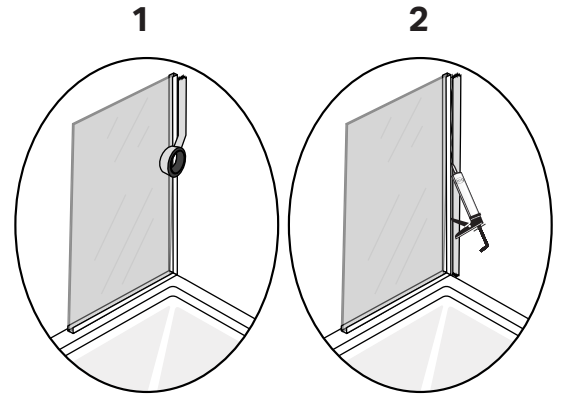


# 12

## SILICONE

To apply the cleanest bead of silicone, use the yellow masking tape to tape along the seams (Glass-to-Channel and Channel-to-Onyx.)

Silicone the Fixed Glass Panel (Glass-to-Channel and Channel-to-Onyx.)



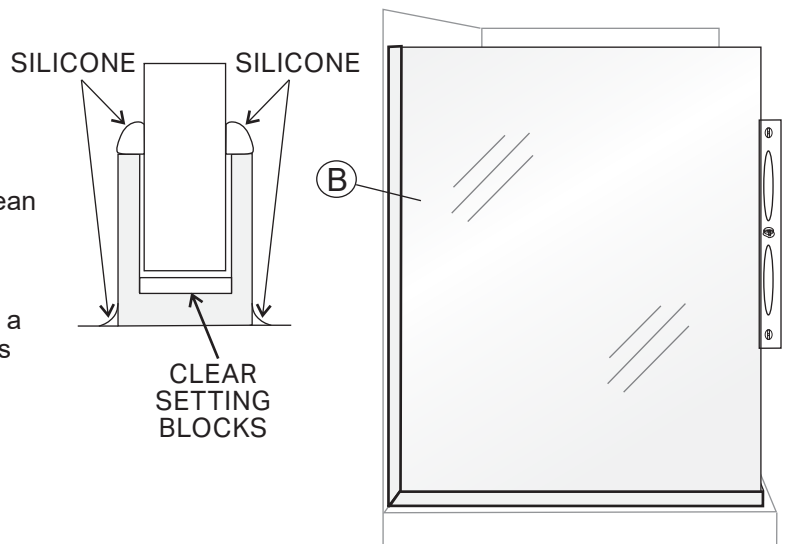
# 13

## INSTALLING RETURN PANEL

Place return panel (C) back in to the glazing channels.

If any silicone “oozes” out of the channel, clean it off quickly using a spray bottle of rubbing alcohol and paper towels.

Now seal the glass and channel by applying a small silicone bead where the channel meets the glass.



# 14

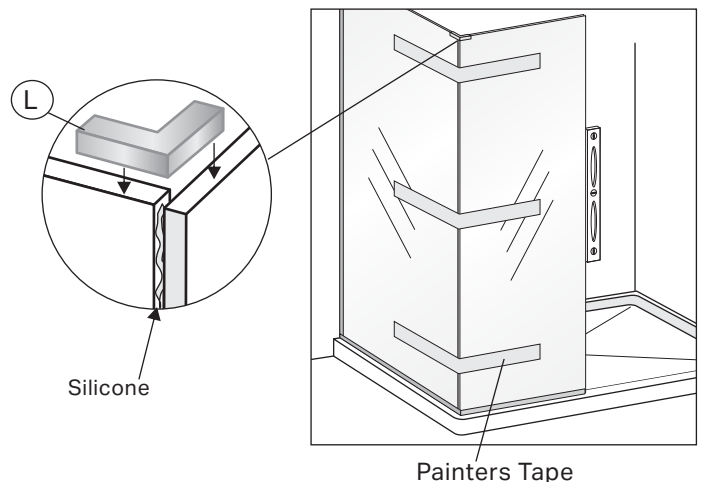
## INSTALLING SIDE PANEL

Apply a small bead of silicone to the front edge of the return panel (C), to create a seal with the side panel (B).

Place side panel (B) back into the glazing channel (G). Check the position of the glass panel to make sure it is correctly lined up with the door glass. Ensure that there is still a 1/4” gap between the side panel and the door glass, as in step 10.

When the positioning of the glass is correct, place the 90° sleeve over (L) on the top of the side and return panels, tightening the allen screws.

Seal the glass and channel by applying a small silicone bead where the channel meets the glass, and where the channel meets the base and shower walls.





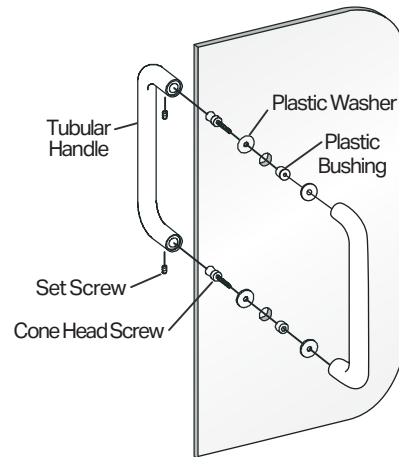
# 15

## INSTALLING HANDLE

Loosen set screws using a small allen wrench (BE CAREFUL NOT TO UNSCREW ALL THE WAY!), then remove handle and unscrew cone head screws.

Place one plastic washer and one plastic bushing onto the cone head screw and then slide this screw through the top hole in the glass door. Next, place one plastic washer onto the screw and then attach handle (do not tighten all the way). Repeat above step for bottom hole then tighten all the way.

Slide handle over cone head screw then tighten set screws using the allen wrench.



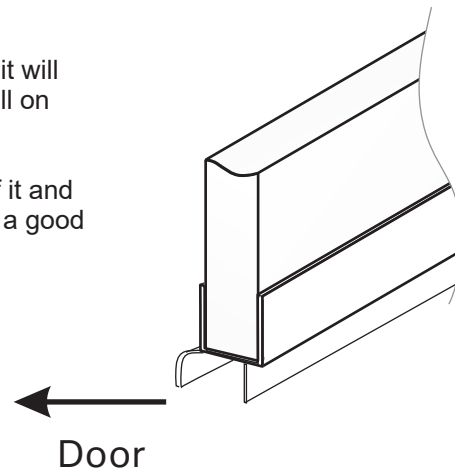
# 16

## INSTALLING DOOR SWEEP

Measure door opening and cut the bottom drip sweep so that it will extend all the way from the side glass panel to the shower wall on the hinge side of the door.

If using the H vinyl, the sweep should be trimmed just short of it and should not touch the H vinyl. This will allow the glass to make a good seal against the H vinyl.

Slide door sweep onto bottom of door panel so the deflector leg is to the interior of the door.



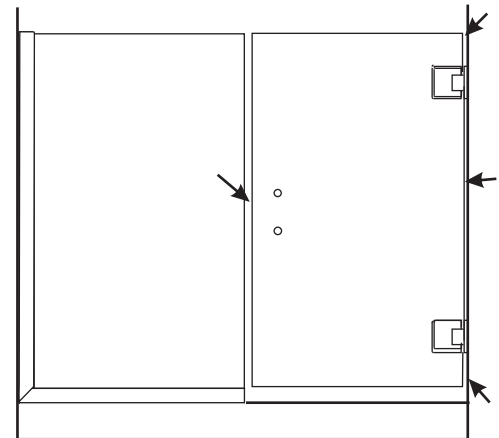
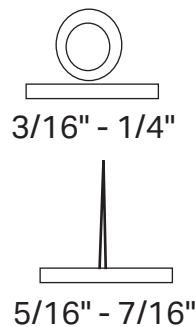
# 17

## INSTALLING GAP VINYL

Measure the gap between the door panel and the side panel. Choose appropriate vinyl.

Clean and degrease edge of glass with isopropyl alcohol.

Cut the vinyl to length and remove the tape backing. Carefully press the vinyl onto the edge of the side panel or the door panel. Repeat steps for the hinge side of door panel.





## INSTALLING GAP VINYL (Continued)

If supplied, you may use the optional clip on H vinyl between door and panel.

If the H vinyl is used, the door will only open one way! Install the vinyl so the gap between the door and panel is covered on the interior of the shower. See drawing for reference.

Leaving the door open for 24 hours before closing will allow tape on vinyls to achieve maximum bond.

