



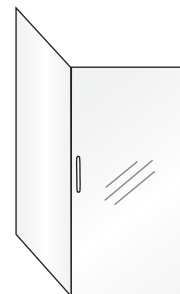
INSTALLATION INSTRUCTIONS

105 Broadway St. Belvue, KS 66407
Phone: 800-669-9867 Fax: 800-393-6699
www.onyxcollection.com

 **ALUMAX**
BATH ENCLOSURES
by Sapa
800-643-1514
www.alumaxshowerdoor.com



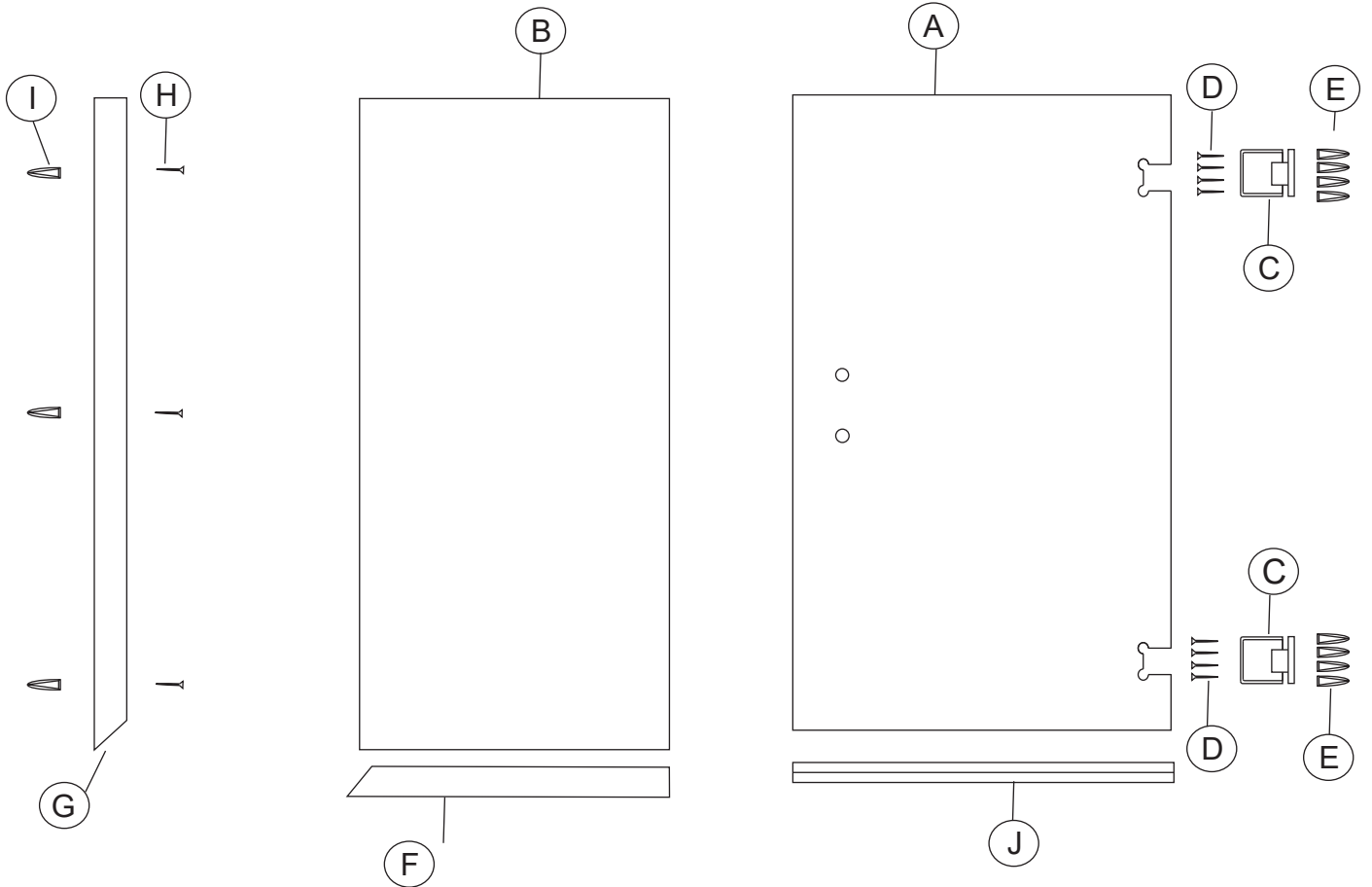
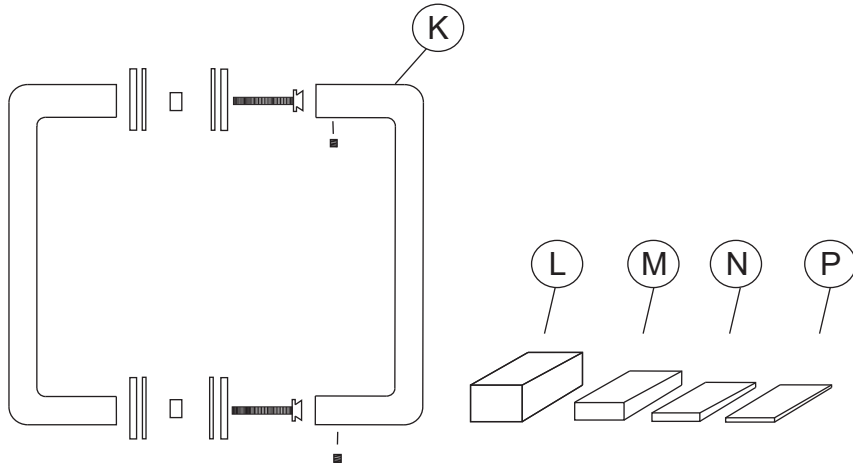
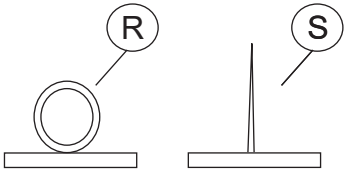
PL-92 Heavy Glass Frameless Shower Door With Return Panel



Full Showers
with Return

Parts List

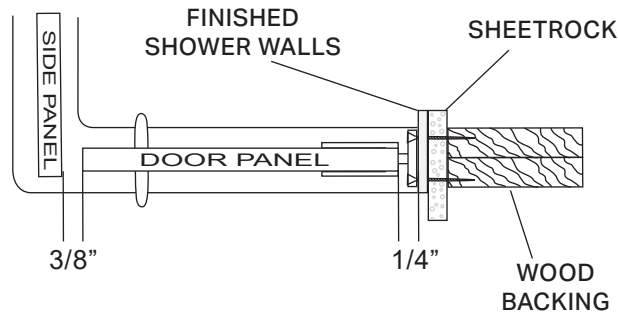
- A) Door Panel
- B) Return Panel
- C) 2 Hinges
- D) Polished Pan Head Screws
- E) 1/4" Anchors (Grey)
- F) Glazing Channel w/ double stick tape
- G) Glazing Wall Channel w/holes
- H) 4 2" Pan Head Screws
- I) 4 1/4" Anchors (Blue)
- J) Door Sweep
- K) 8"x8" Handle
- L) 1/2" Black Spacers
- M) 1/4" Clear Setting Blocks
- N) 1/8" Clear Setting Blocks
- P) 1/16" Setting Blocks
- R) 2 Tape on Bubble Vinyls
- S) 2 Tape on T Vinyls



INSTALL INSTRUCTIONS

1

TOP VIEW



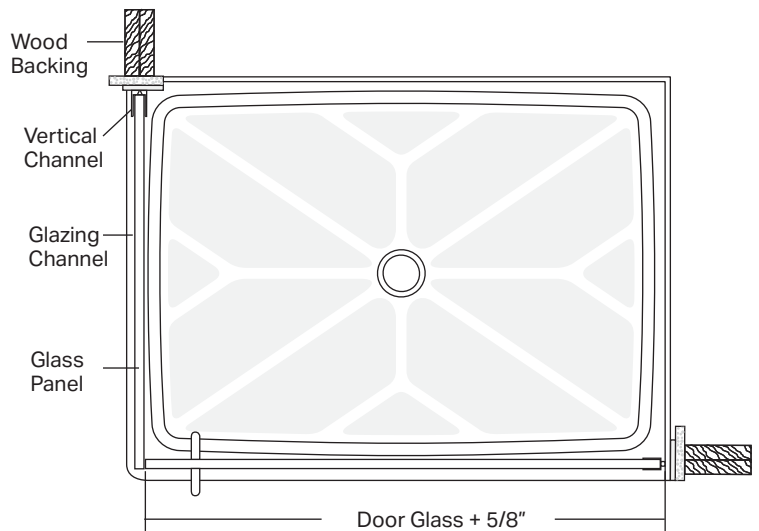
2

Initial Lay-out of Bottom Glazing Channels

The door will need to be placed on or near center of the threshold.

Locate the bottom glazing channels. These channels have been cut to fit your shower and should not require any trimming.

As seen in the picture to the right, the door glass width measurement plus $5/8''$ is needed for the door opening. Also as seen in the picture to the right, the channels should be positioned so as to allow for the proper door opening measurement.

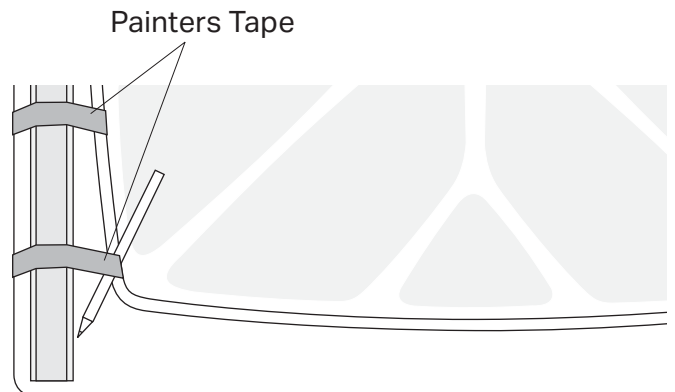


3

Positioning the Bottom Glazing Channels

Once the location of the bottom glazing channels are determined, use tape to temporarily secure them in place.

Use a washable marker or grease pencil to mark the location of the channel on the shower threshold. This is necessary as the channels will need to be removed in a later step.



4

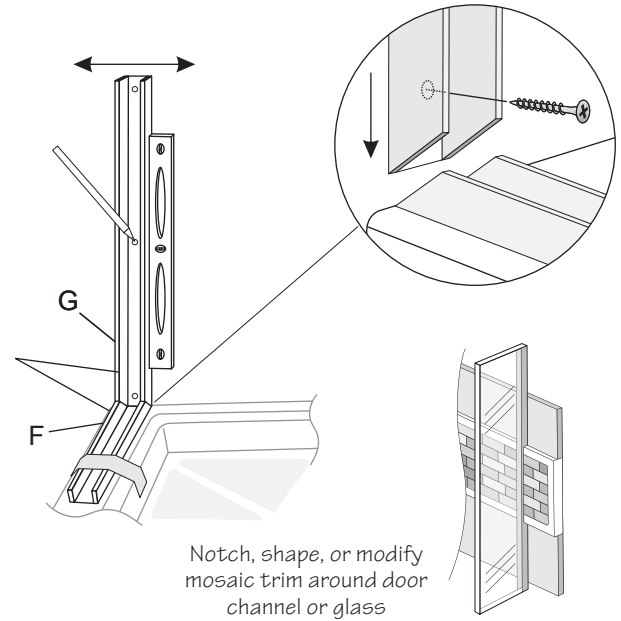
LINING UP VERTICAL GLAZING CHANNEL

Place vertical glazing channel (G) on top of the bottom glazing channel (F) and line them up where they meet in the bottom corner.

Using a level, plumb the vertical glazing channel. This is a very important step so take time to make sure the vertical channel is perfectly plumb.

Mark holes for drilling and remove all glazing channels.

If there is any mosaic tile in the opening, this will need to be notched to allow the channel to lay flat against the shower wall.



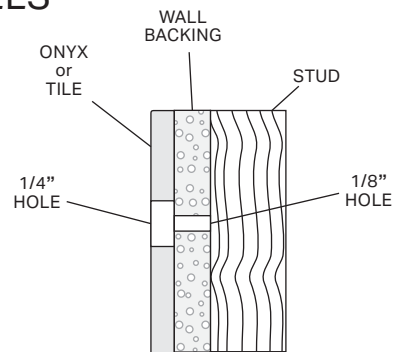
5

PRE-DRILLING FOR GLAZING CHANNELS

Pre-drill holes through the shower wall using a 1/4" drill bit. Pre-drill through wall board using 1/8" drill bit.

Note: If there is no wood backing, use the anchors provided.

Clean all dust and debris from the shower wall and the threshold to prepare for mounting the channels.

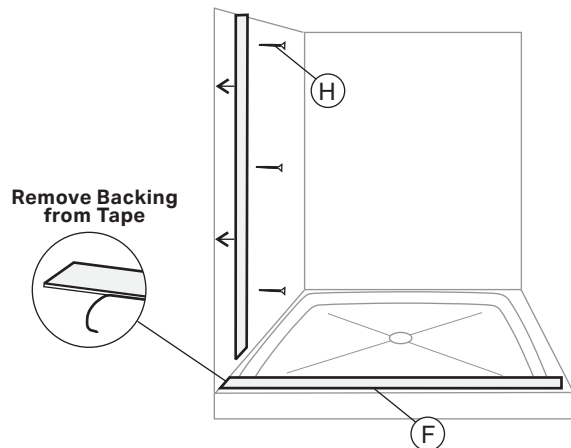


6

INSTALLING THE CHANNELS

Install the bottom glazing channel (F) first. Pull the tape backing from this channel and set it in place on the threshold, positioning it in the center of the threshold. Make sure to position it carefully as the tape is very strong! Press glazing channel (F) down and hold for 10 - 15 sec.

Install the vertical glazing channel (G) by screwing it to the shower wall using the 2" panhead screws (H).

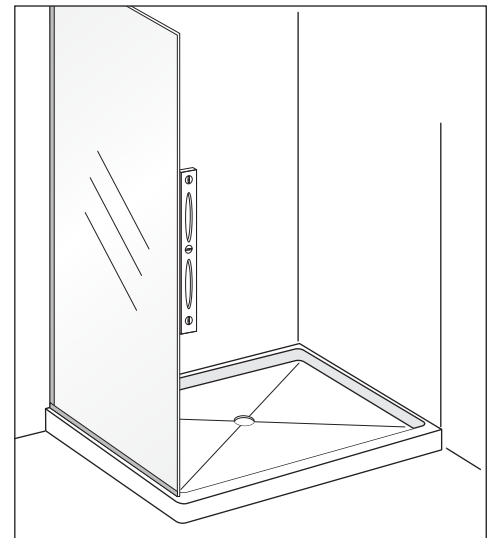
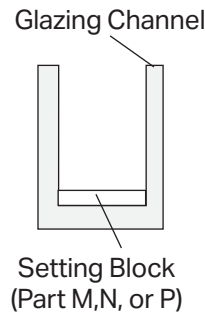


7

DRY FIT THE FIRST GLASS PANEL

Put two setting blocks (Part M,N, or P) into the bottom glazing channel to rest the side glass panel onto when dry-fitting it. Setting blocks may have to be changed or adjusted later. Place side panel (B) inside the glazing channels.

Place a level on the edge of the side panel (B) and then adjust the setting blocks in order to make the glass plumb. Several thicknesses of setting blocks are provided to help with adjustments.



8

HINGE INSTALLATION

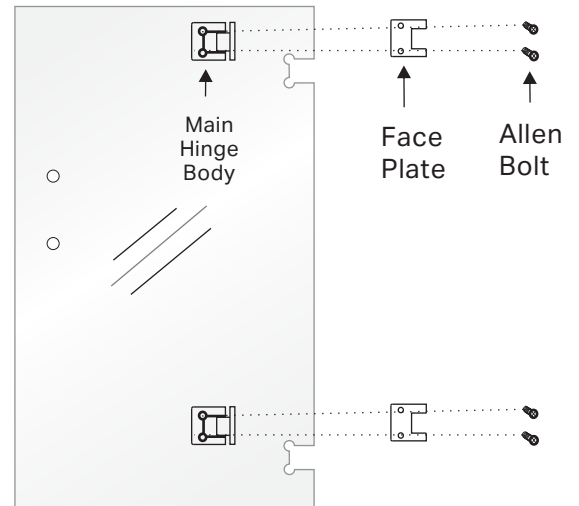
Remove faceplate from the hinge (C).

Place hinge body into the notch in the glass door panel (A) and re-assemble the hinge, tightening the allen bolts on the faceplate.

Only partially tighten the hinges so that they do not move. They can be fully tightened after the hinges are attached to the wall.

Note: The allen tightening bolts on the hinges should be to the inside of the shower (for cosmetic purposes).

If using mosaic tile, hinges may need to be shimmed to allow sufficient clearance for the door to operate.



9

MARKING HINGE PLACEMENT

Place the 1/2" black setting blocks on curb centerline, set the glass on the blocks, and line up with return panel.

With the door glass lined up with the return panel, mark the hinge hole location for drilling.

Once holes are marked, remove the door glass so that the holes can be drilled.

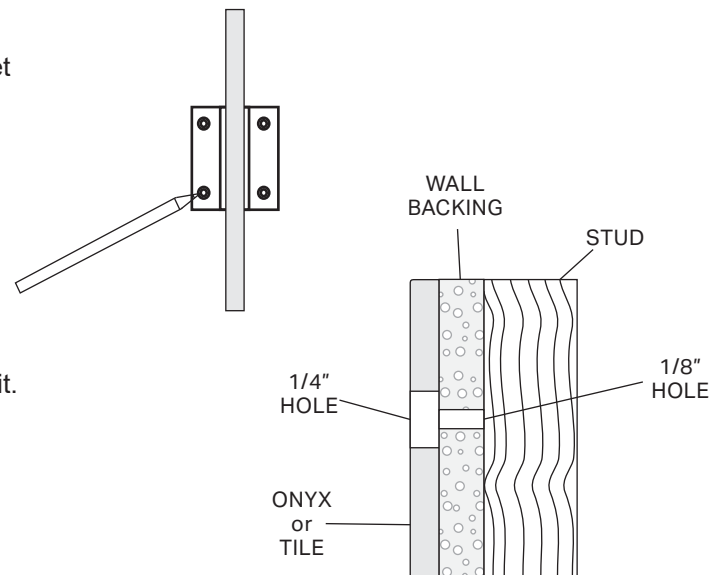
Please have 2 people for this step!

PRE-DRILLING FOR HINGES

Pre-drill holes through the shower wall using a 1/4" drill bit.

Pre-drill through wall backing using 1/8" drill bit.

Clean debris from threshold to prepare for mounting the glass door.



10

ATTACHING HINGES TO WALL

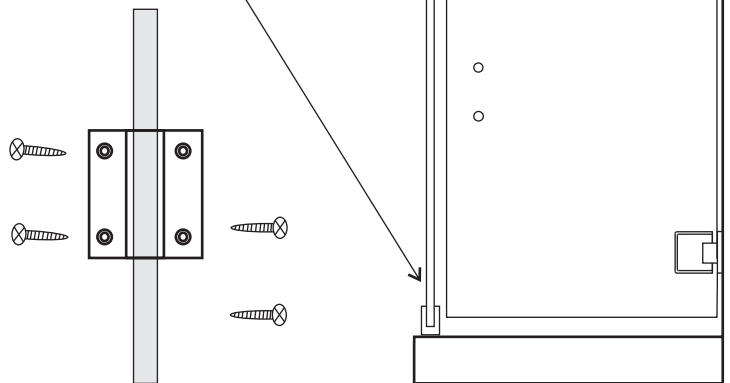
Place the door glass back onto the 1/2" black setting blocks. and line up the hinges with the holes. Use the screws provided to attach the hinges to the wall.

Note: Use a #2 phillips screw driver to tighten the screws as a power drill can both slip and scratch the finish and also damage the glass.

Once the hinges are tightened to the wall, make sure door glass is parallel with the return at top and bottom.

Then tighten the hinges to the glass using the allen wrench. The door should now open and close. Please have 2 people for this step!

Make sure door is parallel to return panel

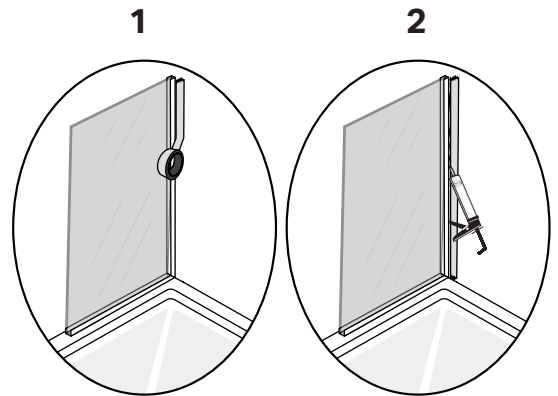


11

SILICONE

To apply the cleanest bead of silicone, use the yellow masking tape to tape along the seams (Glass-to-Channel and Channel-to-Onyx.)

Silicone the Fixed Glass Panel (Glass-to-Channel and Channel-to-Onyx.)



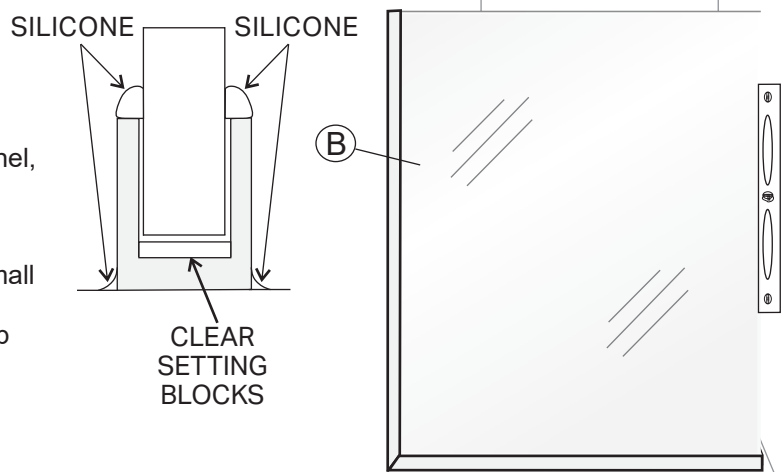
12

INSTALLING RETURN PANEL

Place the return panel (B) back in to the glazing channels.

Note: If any silicone "oozes" out of the channel, clean it off quickly using a spraybottle of rubbing alcohol and paper towels.

Seal the glass and channel by applying a small silicone bead where the channel meets the glass, then seal the channel to the base curb and wall with a small bead of silicone.



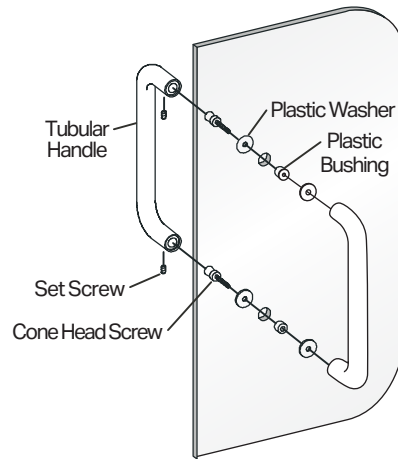
13

INSTALLING HANDLE

Loosen set screws using a small allen wrench (BE CAREFUL NOT TO UNSCREW ALL THE WAY!), then remove handle and unscrew cone head screws.

Place one plastic washer and one plastic bushing onto the cone head screw and then slide this screw through the top hole in the glass door. Next, place one plastic washer onto the screw and then attach handle (do not tighten all the way). Repeat above step for bottom hole then tighten all the way.

Slide handle over cone head screw then tighten set screws using the allen wrench.

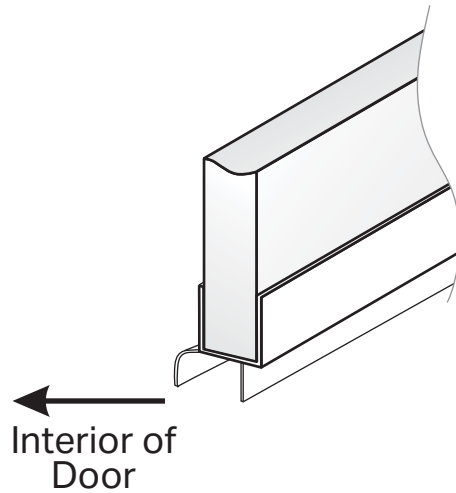


14

INSTALLING DOOR SWEEP

Measure door opening and cut the bottom drip sweep so that it will extend all the way from the return panel to the shower wall on the hinge side of the door.

Slide door sweep onto bottom of door panel so the deflector leg is to the interior of the door.



15

INSTALLING GAP VINYL

Measure the gap between the door panel and the side panel, and choose appropriate vinyl. Clean and degrease edge of glass w/ isopropyl alcohol.

Cut the vinyl to length and remove the tape backing. Carefully press the vinyl onto the edge of the side panel or the door panel.

Repeat steps for the hinge side of door panel.

Leaving the door open for 24 hrs before closing will allow the tape on vinyls to achieve a maximum bond.

