



INSTALLATION INSTRUCTIONS

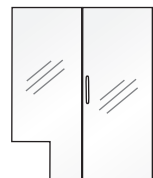
105 Broadway St. Belvue, KS 66407
Phone: 800-669-9867 Fax: 800-393-6699
www.onyxcollection.com



PL-91 Frameless Door with Panel



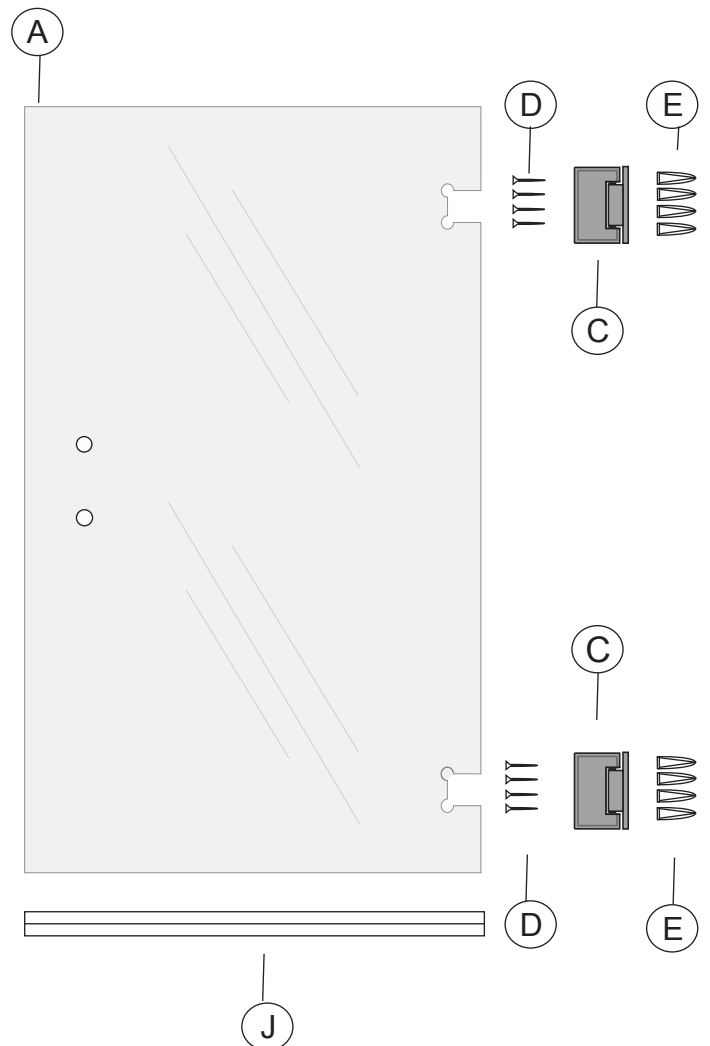
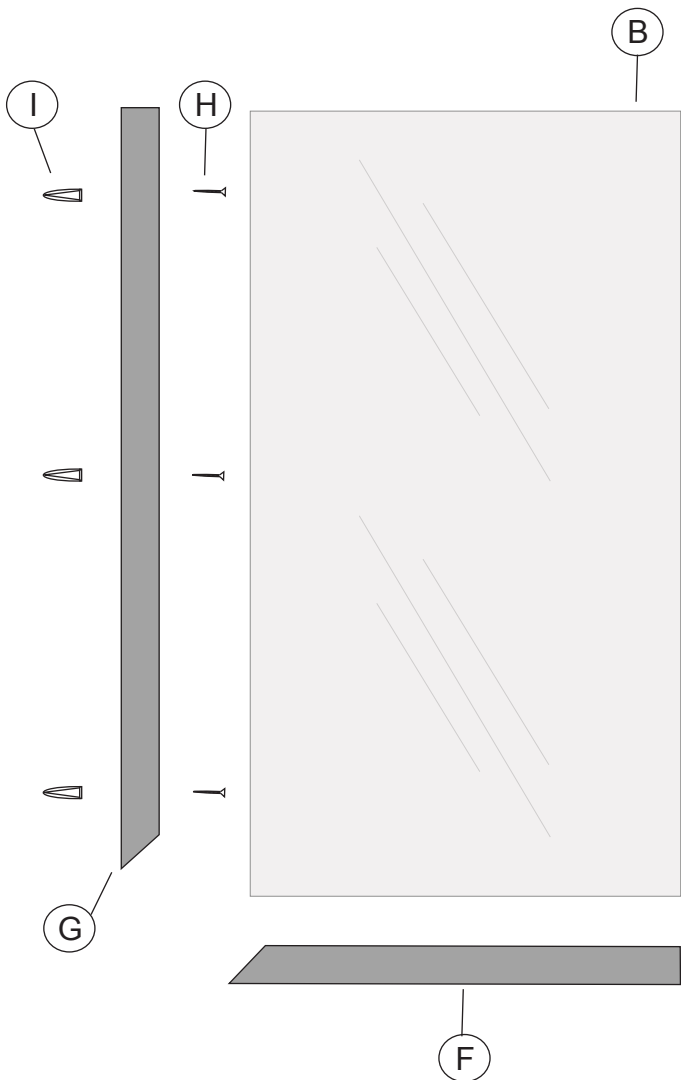
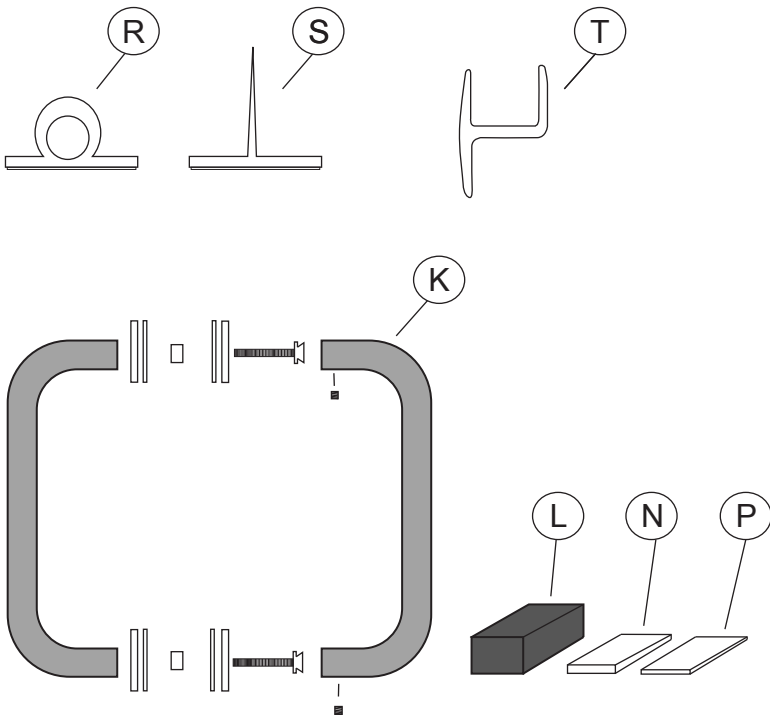
Full Showers



Bench Seat
Showers

PARTS LIST

- A) Door Panel
- B) Side Or Notched Panel
- C) 2 Hinges
- D) Polished Pan Head Screws
- E) 1/4" Anchors (Grey)
- F) Bottom Channel w/ double stick tape
- G) Wall Jamb w / holes
- H) 2" Pan Head Screws
- J) Door Sweep
- K) 8"x8" Handle
- L) 1/2" Setting Blocks
- N) 1/8" Clear Setting Blocks
- P) 1/16" Setting Blocks
- R) 1 Tape on Bubble Vinyl
- S) 1 Tape on T Vinyl
- T) 1 Clip on H Vinyl



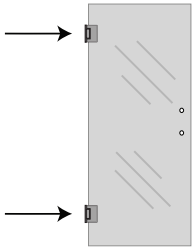
QUICK OVERVIEW

Step #1: Installing the Door Panel

(Page - 4)

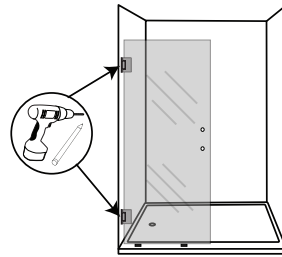
1a

Attaching the Hinges to the Glass



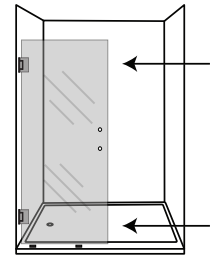
1b

Marking and Drilling the Holes for the Hinges



1c

Attaching Hinges to the Wall

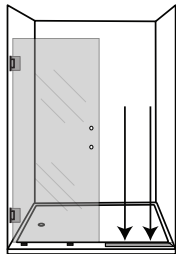


Step #2: Installing the Fixed Glass Panel

(Page - 5)

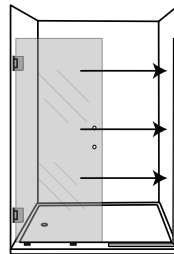
2a

Installing the Bottom Channel



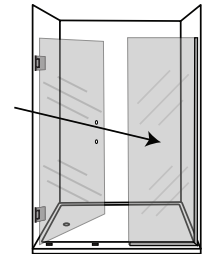
2b

Installing the Wall Jamb



2c

Setting in the Fixed Glass Panel

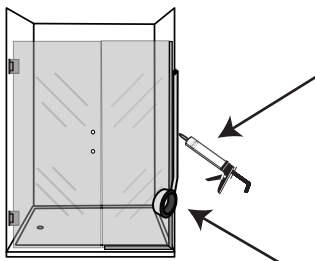


Step #3: Finishing Steps

(Page - 6)

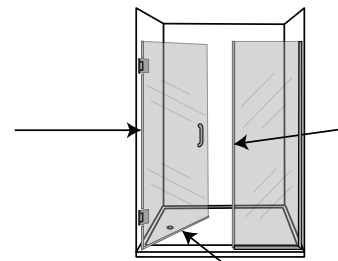
3a

Taping and Siliconing



3b

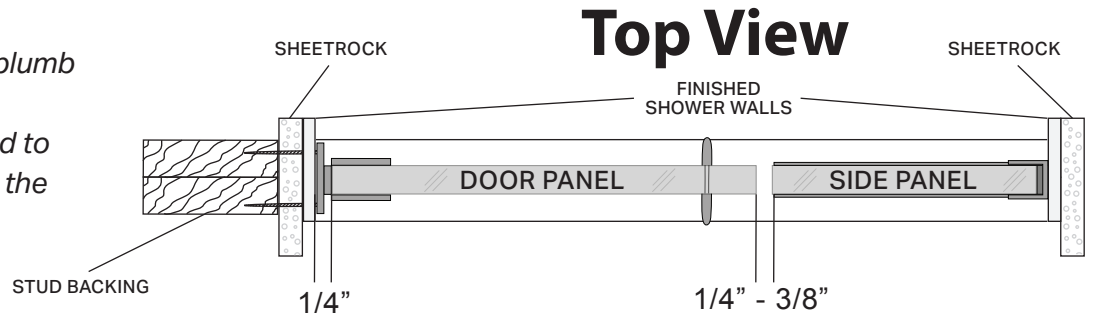
Installing the Door Handle and Vinyls



DETAILED INSTRUCTIONS

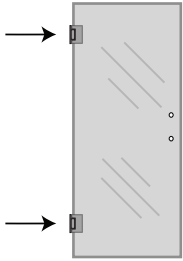
NOTES:

- You want your walls to be as plumb as possible.
- On the hinge wall you will need to have wood backing to support the hinges.



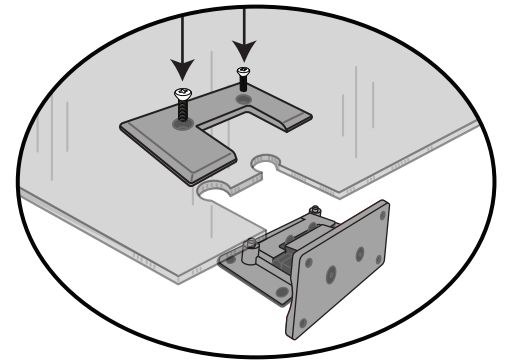
Step #1: Installing the Door Panel

1a: Attaching the Hinges to the Glass



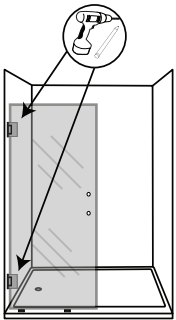
Parts Needed:
Door Panel [A], Two Hinges [C]

- Remove faceplate from the Hinge.
- Place hinge body into the notch in the glass Door Panel and reassemble the Hinge, tightening the Allen Bolts on the faceplate.
- Only partially tighten the Hinges so that they do not move. They can be fully tightened after the hinges are attached to the wall.



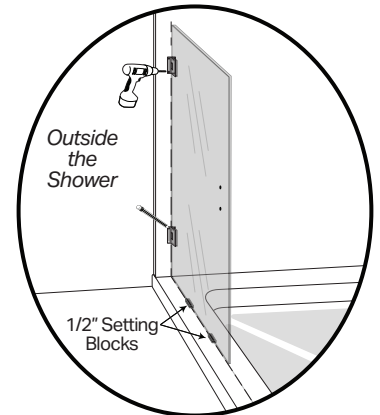
Note: The screws on the Hinges should be shown on the inside of the shower (for cosmetic purposes).

1b: Marking and Drilling the Holes for the Hinges

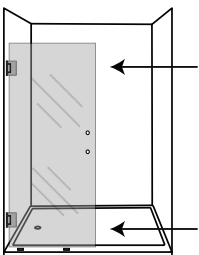


Parts Needed:
Door Panel [A], Setting Blocks [L]

- Place the 1/2" Setting Blocks on the curb of the base.
- Set the Door on the Setting Blocks centered on the curb.
- Using a level plumb up the Door on the wall and mark the holes in the Hinges.
- Remove the Door and drill the holes.

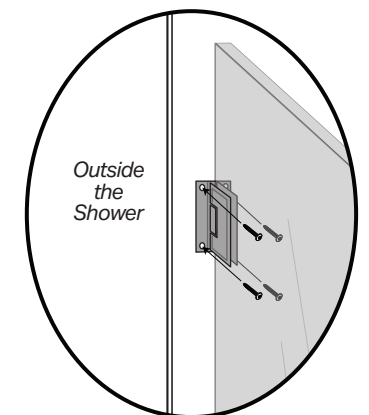


1c: Attaching Hinges to the Wall



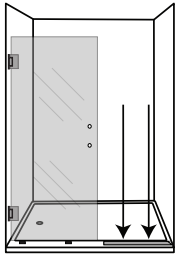
Part Needed:
Door Panel [A], Setting Blocks [L]

- Place the Door back on the Setting Blocks and screw the hinges into the wall.



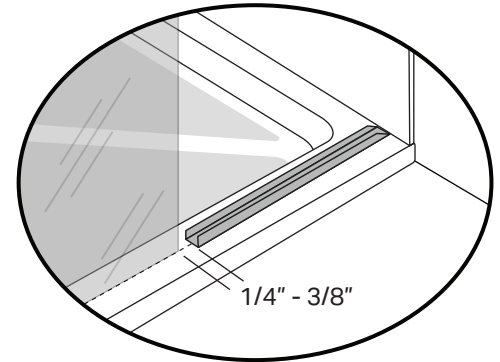
Step #2: Installing the Fixed Glass Panel

2a: Installing the Bottom Channel

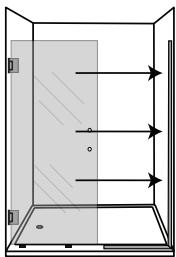


Parts Needed:
Bottom Channel [F]

- Mark the centerline on the curb.
- Measure and mark the end of the Bottom Channel as shown in the picture on the right.
- The Bottom Channel may need to be trimmed to end 1/4" - 3/8" shy of the door glass.
- Then carefully tape down the Bottom Channel centered on your line.
- Press down and hold for a few seconds for the tape to adhere.

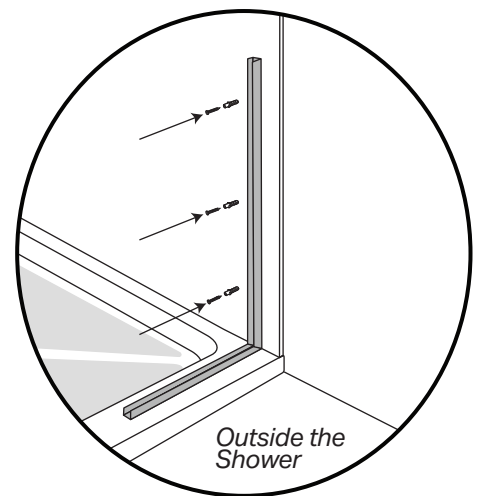


2b: Installing the Wall Jamb

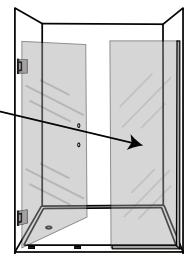


Parts Needed:
Wall Jamb [N], Wall Jamb Screws [G], Wall Jamb Anchors [J]

- Set the Wall Jamb on the Bottom Channel, as shown in the drawing on the right.
- Use a level to make the Wall Jamb plumb on the wall.
- Mark and drill the holes in the Wall Jamb.
- Mount the Wall Jamb to the wall using the screws and anchors provided.

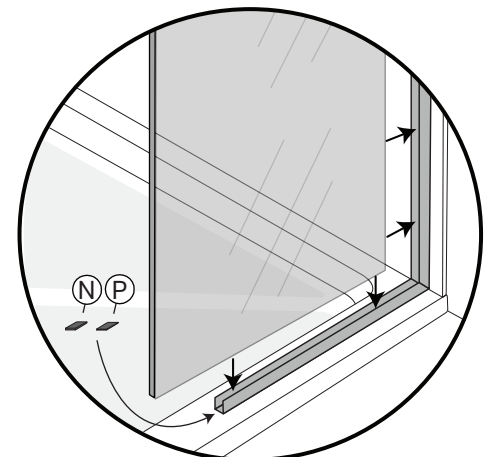


2c: Setting in the Fixed Glass Panel



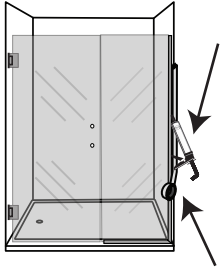
Parts Needed:
Fixed Glass Panel [B], Clear Setting Blocks [N], Setting Blocks [P]

- Put two Setting Blocks into the Bottom Channel and dry-fit the Fixed Glass Panel.
- Carefully close the Door Panel, and using the setting blocks adjust the height and lean of the Fixed Panel to line up with the Door.
- Ideally, there should be about a 1/4" gap (+/- 1/16") between the Fixed Panel and the Door Panel.
- Several thicknesses of setting blocks are provided to help with adjustments.



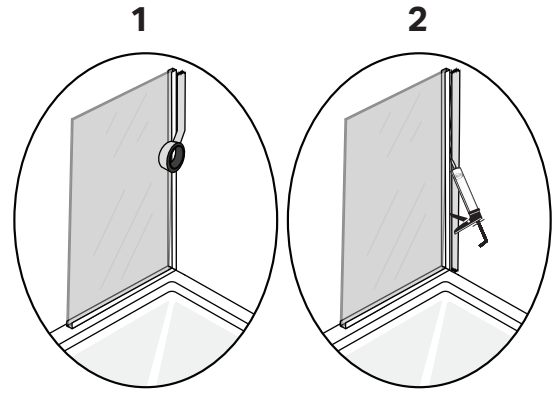
Step #3 Finishing Steps

3a: Taping and Siliconing

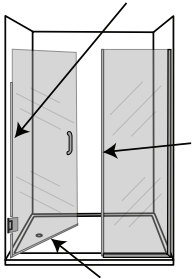


Parts Needed:
Tape and Silicone

- To apply the cleanest bead of silicone, use the yellow masking tape to tape along the seams (Glass-to-Channel and Channel-to-Onyx.)
- Silicone the Fixed Glass Panel (Glass-to-Channel and Channel-to-Onyx.)



3b: Installing the Door Handle and Vinyls



Parts Needed:
Handle [K], Vinyls [R], [S], [T]

- Install your handle option at this time.
- Measure the gap between the door panel and the side panel. Choose appropriate vinyl.
- Clean and degrease edge of glass.
- Cut the vinyl to length and remove the tape backing. Carefully press the vinyl onto the edge of the side panel or the door panel.
- Repeat steps for the hinge side of door panel.
- If supplied, you may use the optional clip on H vinyl between door and panel if you want the door to only open one way.
- Leaving the door open for 24 hours before closing will allow tape on vinyls to achieve maximum bond.
- A small amount of silicone can be used between the glass and seal if you like.

Suggested Gaps for Use

R

Tape-on Bubble
3/16" - 1/4"

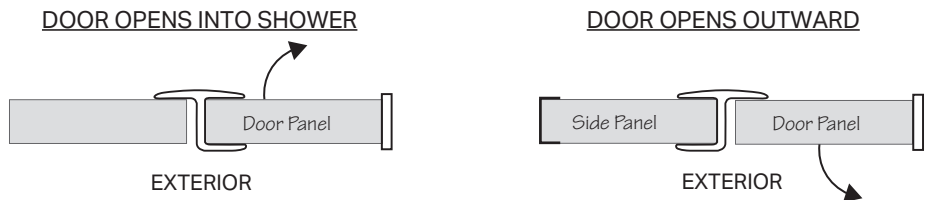
S

Tape-on T
5/16" - 7/16"

T

(Optional) Clip-on H
1/8" - 1/4"

For use if you want the door to only open one way



Cut the bottom drip sweep so that it will extend all the way from the side glass panel to the shower wall on the hinge side of the door.

Slide door sweep onto bottom of door panel so the deflector leg is to the interior of the door.

