



# INSTALLATION INSTRUCTIONS

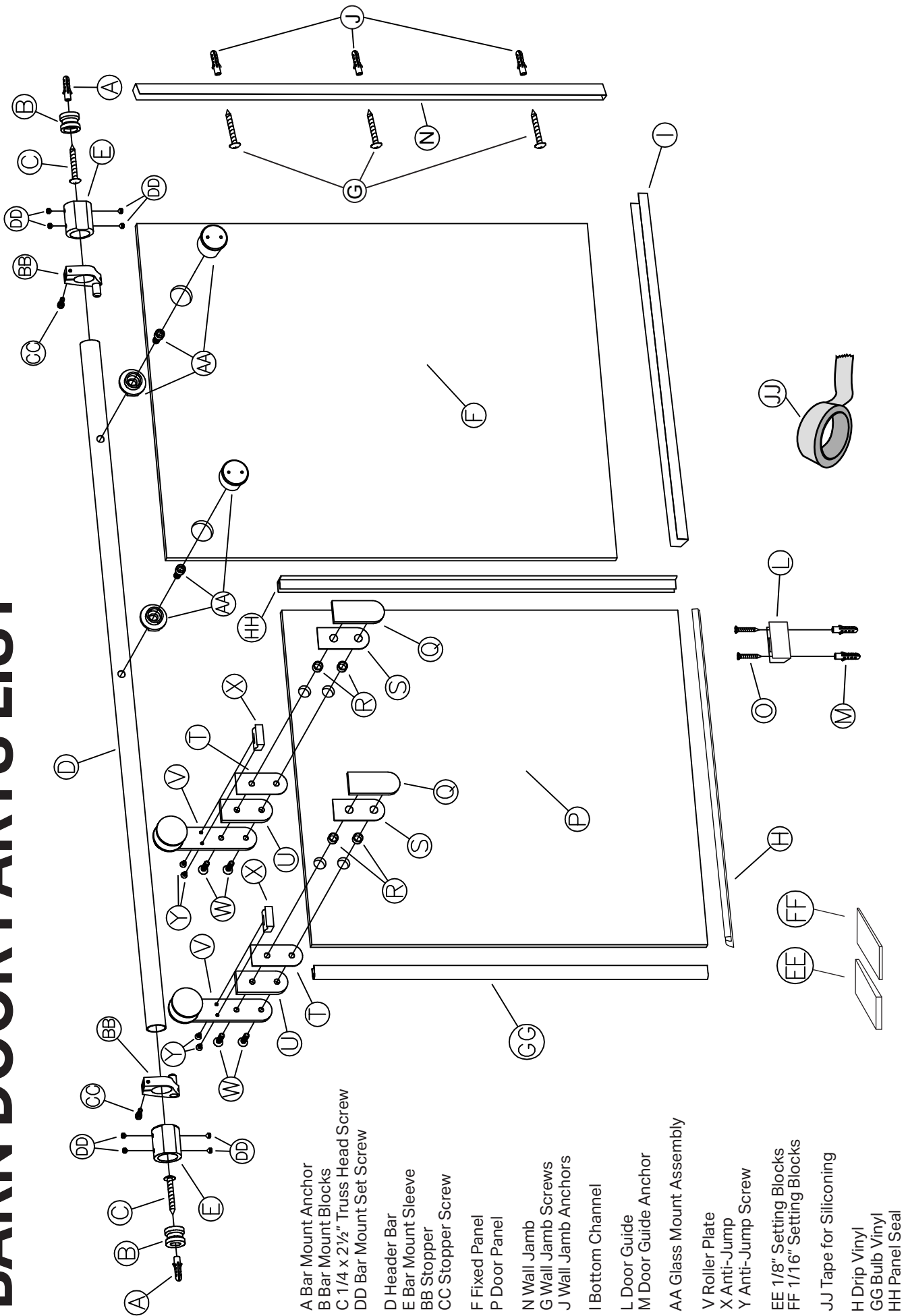
---

105 Broadway St. Belvue, KS 66407  
Phone: 800-669-9867 Fax: 800-393-6699  
[www.onyxcollection.com](http://www.onyxcollection.com)

## **Barn Style Sliding Door** Heavy Frameless Barn Door Bath Enclosure



# BARN DOOR PARTS LIST



- A Bar Mount Anchor
- B Bar Mount Blocks
- C 1/4 x 2 1/2" Truss Head Screw
- DD Bar Mount Set Screw
- D Header Bar
- E Bar Mount Sleeve
- BB Stopper
- CC Stopper Screw
- F Fixed Panel
- P Door Panel
- N Wall Jamb
- G Wall Jamb Screws
- J Wall Jamb Anchors
- I Bottom Channel
- L Door Guide
- M Door Guide Anchor
- AA Glass Mount Assembly
- V Roller Plate
- X Anti-Jump
- Y Anti-Jump Screw
- EE 1/8" Setting Blocks
- FF 1/16" Setting Blocks
- JJ Tape for Siliconing
- H Drip Vinyl
- GG Bulb Vinyl
- HH Panel Seal

# QUICK OVERVIEW

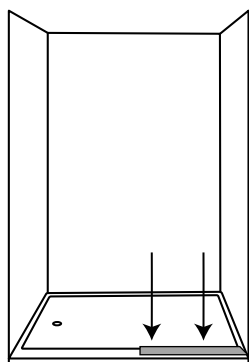
## Step #1:

Bottom Channel, Wall Jamb, and Door Guide

(Page 6)

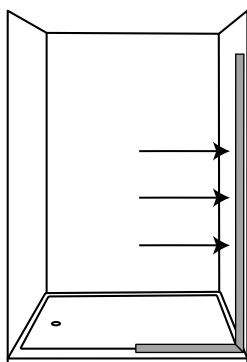
### 1a

Setting the Bottom Channel



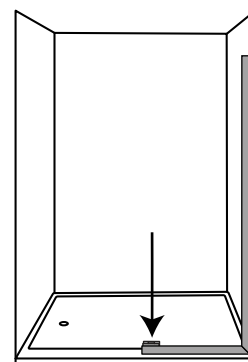
### 1b

Installing the Wall Jamb



### 1c

Installing the Door Guide

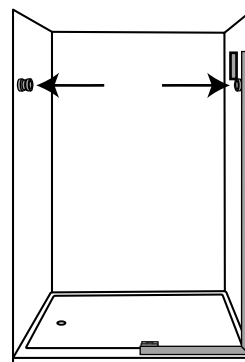


## Step #2:

Bar Mount Blocks

(Page 7)

**VERY IMPORTANT:** The Bar Mount Blocks will be used to mount the Header Bar. Bar Mount Blocks must be placed level and plumb for the door to operate properly.



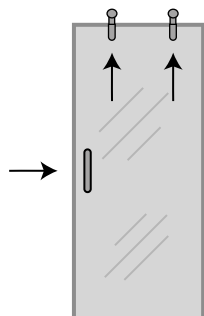
## Step #3:

Door Panel Preparation

(Page 7)

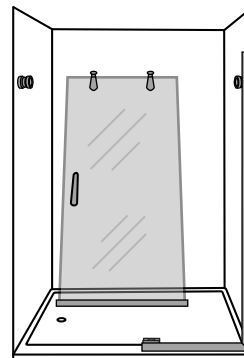
### 3a

Mounting the Roller Assemblies and the Door Handle



### 3b

Setting the Door Panel Inside the Shower



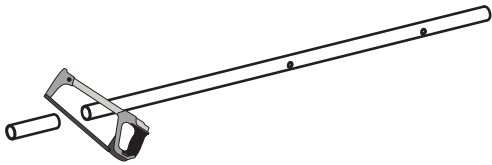
# Step #4:

## Header and Fixed Panel Installation

(Pages 8-9)

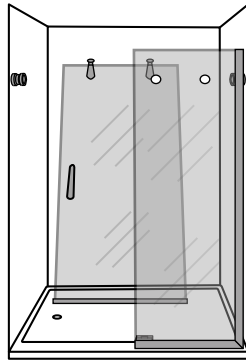
### 4a

Measuring and Cutting the Header Bar



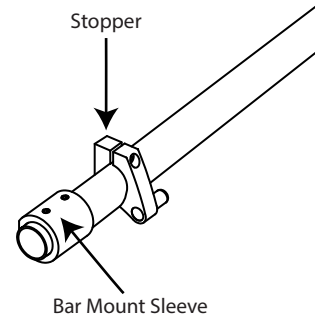
### 4b

Installing the Fixed Glass Panel



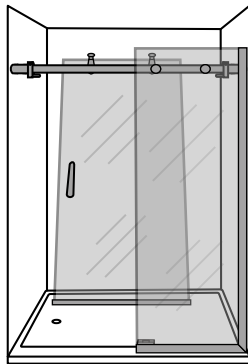
### 4c

Sliding the Stoppers and Wall Mount Sleeves onto the Header Bar



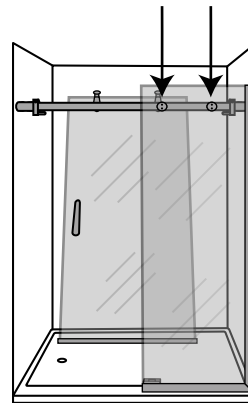
### 4d

Mounting and Leveling the Header Bar



### 4e

Attaching the Glass Mount Assembly to the Fixed Panel

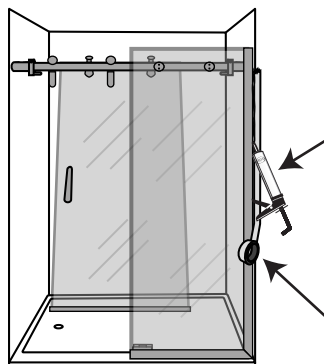


# Step #5:

## Silicone

(Page 9)

Taping and siliconing for bottom channel and wall jamb

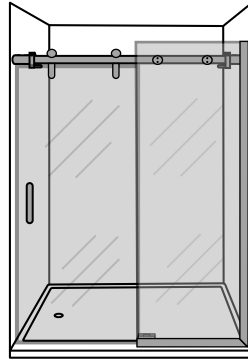


# Step #6:

## The Door Panel Installation

(Page 9)

Hanging the Door Panel on the Header Bar



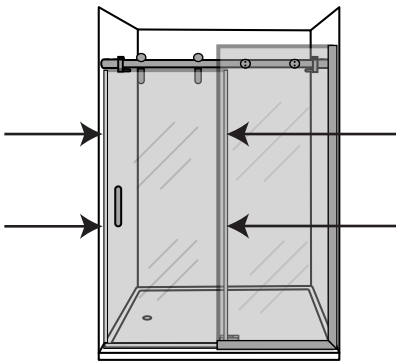
# Step #7:

## Finishing Steps

(Page 10)

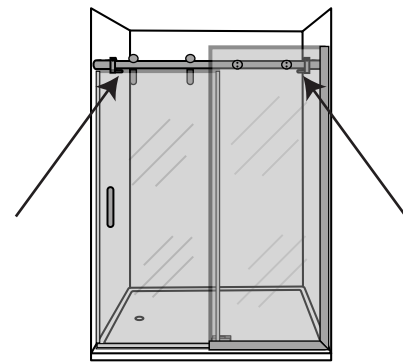
### 7a

Installing the Seals for the Door



### 7b

Setting the Door Stoppers on the Header Bar



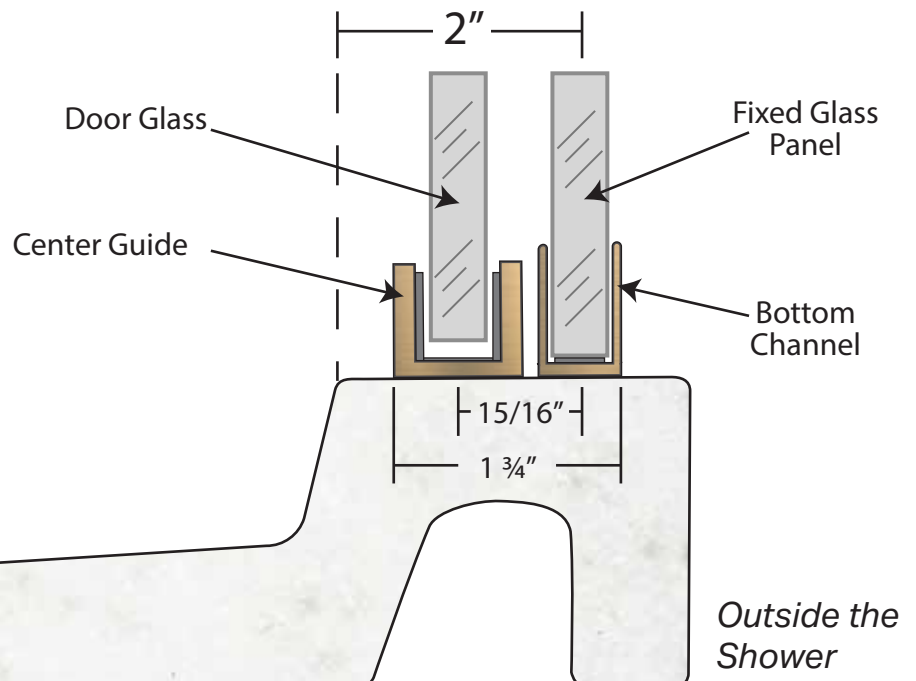
### Notes:

-This is a two person installation.

#### FOOT PRINT

The width of the Door unit's base is 1 3/4"  
Consider these measurements before drilling.

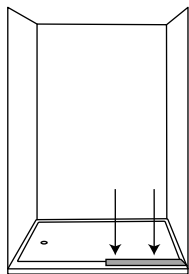
All marks made on the shower should be made lightly in pencil so they can be removed after the installation is complete. An optional method is to use masking tape on the walls and sill that can be removed as the installation progresses.



# DETAILED INSTRUCTIONS

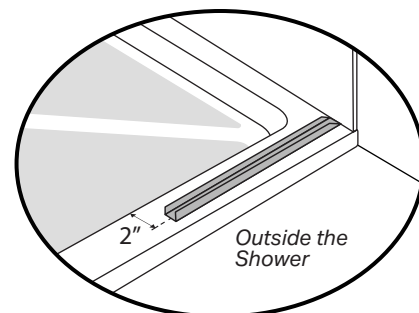
## Step #1: Bottom Channel, Wall Jamb, and Door Guide

### 1a: Setting the Bottom Channel

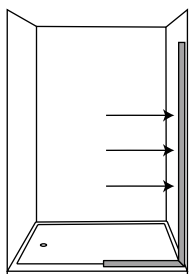


**Part Needed:**  
Bottom Channel [I]

- To mark the location of the Bottom Channel measure 2" from the inside edge of the curb (as shown in the picture on the right).
- Then mark a straight line from the middle of the base curb to the wall on the stationary panel side.
- Carefully tape down the Bottom Channel centered on your line.
- Press down and hold for a few seconds for the tape to adhere.

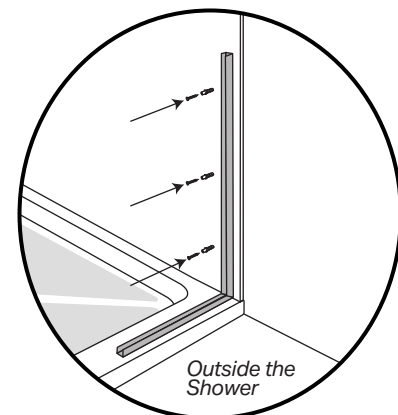


### 1b: Installing the Wall Jamb

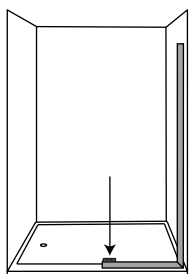


**Parts Needed:**  
Wall Jamb [N], Wall Jamb Screws [G], Wall Jamb Anchors [J]

- Set the Wall Jamb on the Bottom Channel, as shown in the drawing on the right.
- Use a level to make the Wall Jamb plumb on the wall.
- Mark and drill the holes in the Wall Jamb.
- Mount the Wall Jamb to the wall using the screws and anchors provided.

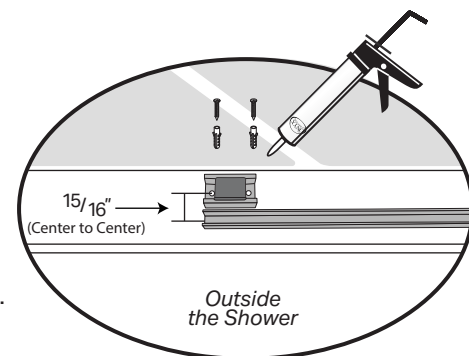


### 1c: Installing the Door Guide



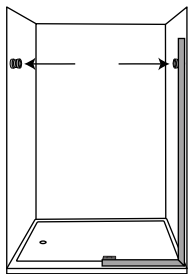
**Parts Needed:**  
Door Guide [L], Door Guide Screws [O], Door Guide Anchors [M], Adhesive Silicone

- Measure from the center of the Bottom Channel  $15/16"$  towards the inside of the shower and mark a line. (as shown in the drawing on the right)
- Place the Door Guide centered on the mark and flush with the end of the Bottom Channel.
- Mark and drill two  $1/4"$  holes in the Door Guide attachment locations.
- Clean the area around the holes and put a little silicone into each hole.
- Insert the Door Guide Anchors into the holes and put a little more silicone into each anchor.
- Mount the Door Guide with the Door Guide Screws.



## Step #2: Bar Mount Blocks

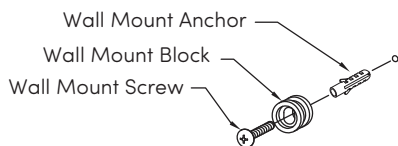
**VERY IMPORTANT:** The Bar Mount Blocks will be used to mount the Header Bar. Bar Mount Blocks must be placed level and plumb for the door to operate properly.



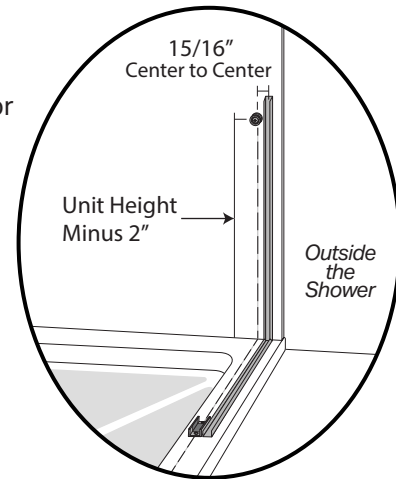
**Parts Needed:**

Bar Mount Anchors [A], Bar Mount Blocks [B], 1/4 x 2 1/2" Truss Head Screws [C]

- Using a level mark a straight line on the base through the center of the door guide all the way to each wall and then up both walls (This mark should be about 15/16" away from the center of your bottom channel and wall jamb).
- Take your unit height (on the box label) and subtract 2".
- Measure this distance from the top of the base curb up the wall along your line and mark the spot to drill.
- Drill the Wall Mount holes 5/16" on the mark.
- Insert the Wall Anchors [A] fully into the holes.
- Using the 1/4 x 2 1/2" Truss head screws [C], attach the Wall Mount Block to the wall, with the slot in a vertical position and the screw centered in the block.

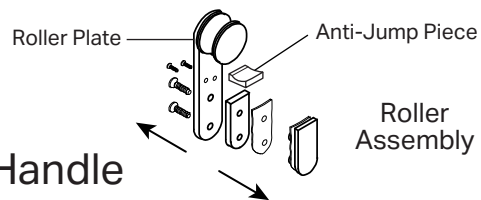


NOTE: Install Wall Mount Block with the slot in the vertical position.



## Step #3: Door Panel Preparation

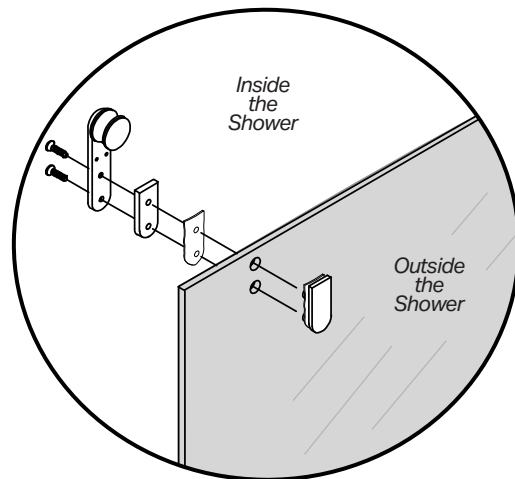
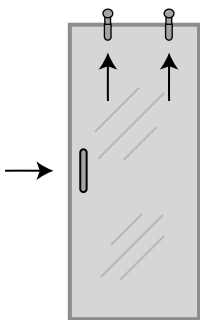
### 3a: Mounting the Roller Assemblies and the Door Handle



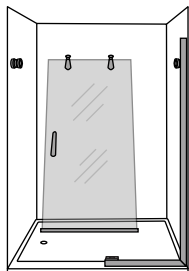
**Parts Needed:**

2 Roller Assemblies, Door Handle

- Unscrew the Roller Assemblies as shown in the picture above on the right.
- Mount the roller assemblies to the Door Panel, making sure that the Plate with the Roller is to the inside of the shower. (See picture circled on the right)
- Set aside the Anti-Jump piece and Anti-Jump Screws until after the door has been mounted to the header Bar.
- Install your handle option at this time.



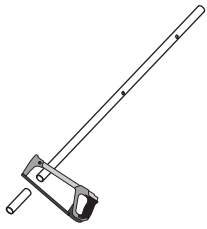
### 3b: Set the Door Panel Inside the Shower



- First make sure that you will be setting the Door Glass on something so that the glass and the floor of the enclosure are not damaged. The foam edge covers work fine.
- Make sure the Rollers will be facing out and the handle is on the side of the enclosure that the door will strike against.
- Place the Door Glass inside the shower enclosure. (just leaned against the back wall)

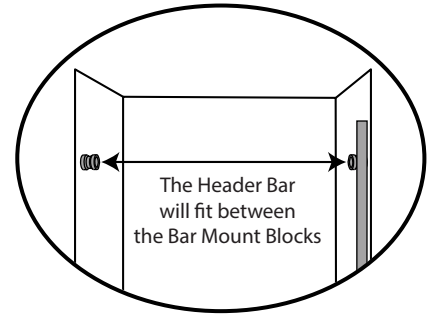
# Step #4: Header and Fixed Panel Installation

## 4a: Measuring and Cutting the Header Bar

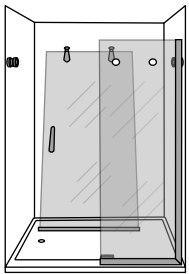


**Part Needed:**  
Header Bar [D]

- Measure the distance between the two Bar Mount Blocks.
- Make sure you will be cutting off the uncut end of the Header Bar, the side with no hole.
- Cut the Header Bar to fit between the Bar Mount Blocks.

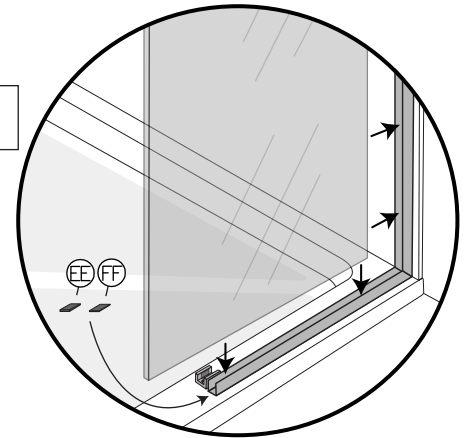


## 4b: Installing the Fixed Glass Panel

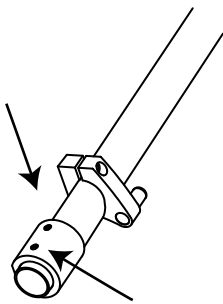


**Parts Needed:**  
Fixed Glass Panel [F], Setting Blocks [EE & FF]

- Lift the Fixed Panel and set it in the Bottom Channel with the edge as tight to the wall as possible.
- Use the Setting Blocks to bring the stationary panel to the correct height, flush with the top of the wall jamb.

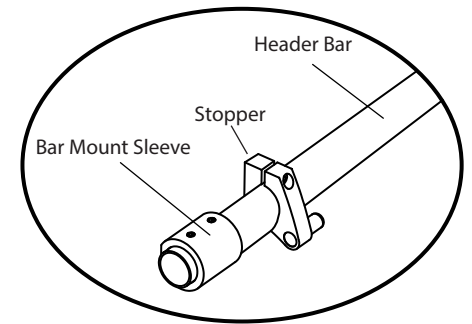


## 4c: Sliding the Stoppers and Bar Mount Sleeves onto the Header Bar

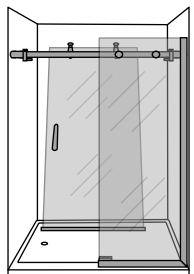


**Parts Needed:**  
2 Stoppers [BB], 2 Bar Mount Sleeves [E]

- Place a Stopper on both ends of the Header Bar with the rubber bumper on each facing the middle of the bar (oriented as shown).
- Slide them toward the middle and snug the Stopper Screw (**DO NOT TIGHTEN**).
- Slide a Bar Mount Sleeve on both ends of the Header Bar, and snug one Set Screw (**DO NOT TIGHTEN**).

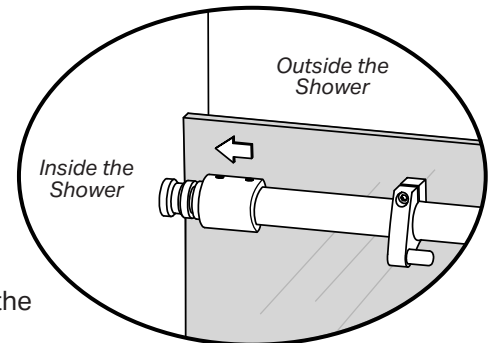
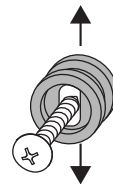


## 4d: Mounting and Leveling the Header Bar



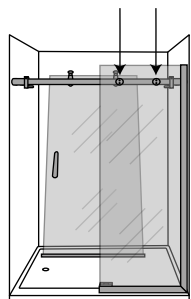
**Parts Needed:**  
Header Bar [D]

- Align the Header Bar with the Bar Mount Block, and slide the Bar Mount Sleeves over the Bar Mount Blocks.
- Place a level on the center of the Header Bar and check for level.
- If needed the Bar Mount Blocks can be raised or lowered to make the Header Bar level.
- Line the middle hole of the bar up with the hole located 1 1/2" from the edge of the Fixed Panel.



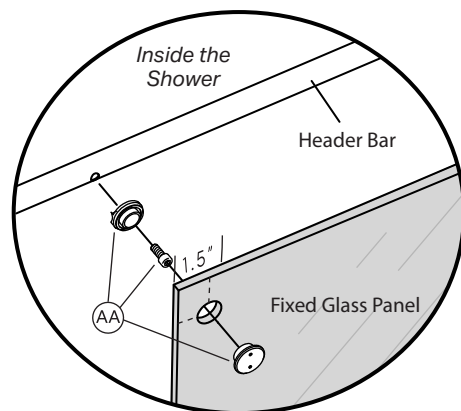
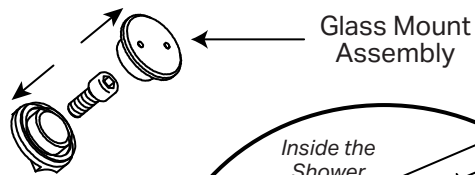


## 4e: Attaching the Glass Mount Assembly to the Fixed Glass Panel

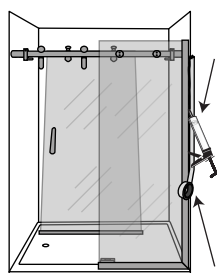


**Parts Needed:**  
2 Glass Mount Assemblies [AA]

- Unscrew the Glass Mount Assembly (See drawing above).
- Attach the Fixed Glass Panel to the Header Bar with the Glass Mount Assemblies as shown in the drawing on the right.
- Snug the Set Screws in the Bar Mount Blocks.

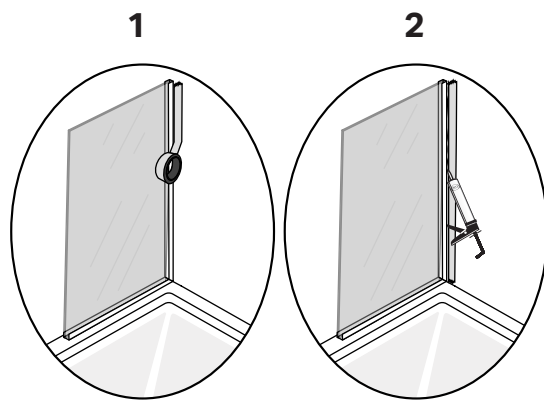


## Step #5: Silicone

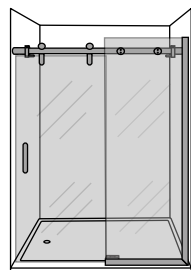


**Parts Needed:**  
Tape and Silicone

- To apply the cleanest bead of silicone, use the yellow masking tape to tape along the seams (Glass-to-Channel and Channel-to-Onyx.)
- Silicone the Fixed Glass Panel (Glass-to-Channel and Channel-to-Onyx.)



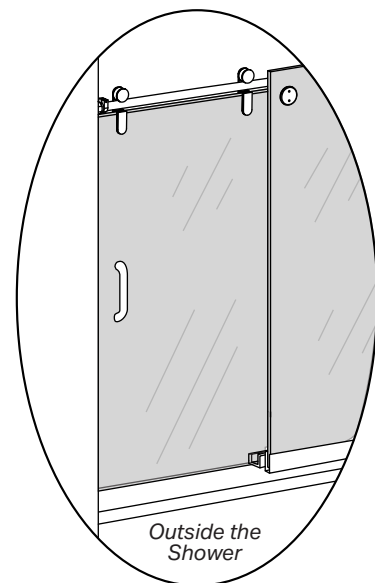
## Step #6: The Door Panel Installation



**Part Needed:**  
Door Panel [P], Drip Vinyl [H]

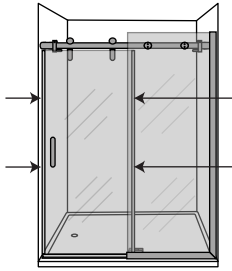
- Lift the Door Panel and place the rollers on the bar and install the Drip Vinyl with the deflector leg to the inside of the door.
- Then lift the Door Glass and carefully set the bottom edge of the Door Glass into the Center Guide.
- To adjust the door glass height, adjustments must be made to the Bar height. Adjustments can be made in the Bar Mount Blocks (See step 4).
- Once you have the Header Bar set as you want it, and the Fixed Panel positioned correctly, tighten the Bar Mount Set Screws, then the Glass Mount Screws and Caps.

**CAUTION:** Do not remove both Glass Mount Caps at the same time. Install the anti-Jump [X] and Anti-Jump Screws [Y] on both Roller Assemblies.



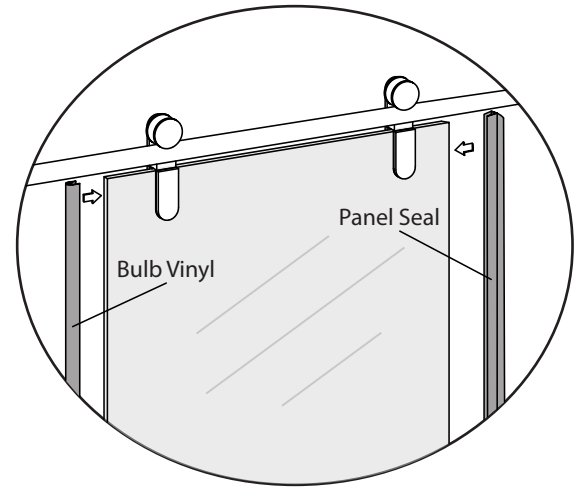
# Step #7: Finishing Steps

## 7a: Installing the Seals for the Door

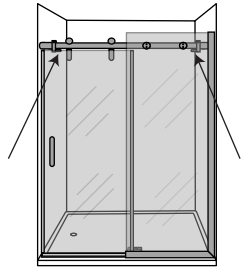


**Parts Needed:**  
Bulb Vinyl [GG], Panel Seal [HH]

- Cut the Bulb Vinyl [GG] and the Panel Seal [HH] to the vertical length of your Door Glass.
- Press the Bulb Vinyl on the strike side of the Door Glass and the Panel Seal on the other, below the Header Bar.
- A small amount of silicone can be used between the glass and seal if you like.

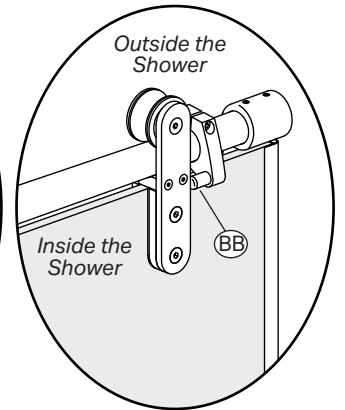
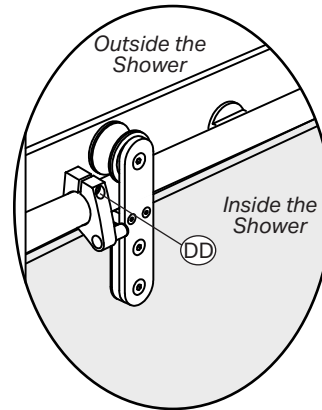


## 7b: Setting the Door Stoppers on the Header Bar



**Parts Needed:**  
Stoppers [BB], Stopper Set Screws [DD]

- Move the door to the closed position.
- Slide the Stopper [BB] over until it touches the bottom of the roller on the strike side of the door, making sure that the bottom of the stopper will clear the top of the door glass.
- Tighten the Stopper Set Screw [DD].
- Move the door to the open position with the handle 1/4" - 1/2" from hitting the fixed panel.
- Slide the other stopper over until it just touches the bottom of the roller on the fixed side of the door.
- Tighten the Stopper Set Screw.



## Final Notes:

- Make sure that all fasteners are tight.
- Clean all exposed marks you made on curb sill and walls of the shower stall.
- Clean the glass panels.
- Allow 24 hours for any silicone to completely cure, before using your new Shower Door.