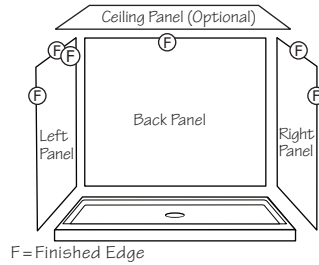




1 Panel Installation Order

When there is a ceiling panel, the ceiling panel should be installed first. (see back side for ceiling panel instructions). The back panel is installed next and the side panels are installed last.

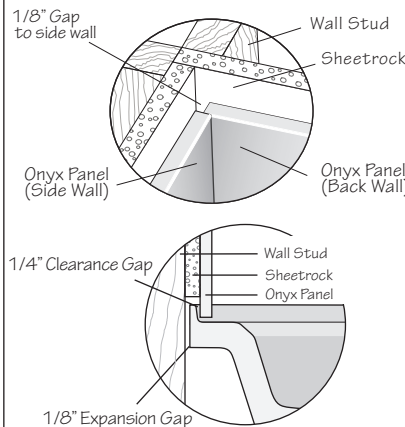
Keep in mind that each wall panel has only one or two finished edges and the rest are unfinished cut edges. Panels must be installed so that the smooth finished edges will be showing. **Be sure to read instructions for trim and accessories before installing wall panels.**



Onyx panels install best onto sheetrock (water resistant preferred). Other wall board products such as Hardibacker and concrete board can also be used. We recommend applying a primer paint to the wall board. Primer paint makes good surface for the silicone to bond, especially if the wall board is "dusty" by nature. We do not recommend applying a finish coat of paint to the wall board as silicone sometimes does not bond well to fresh finish paint, and also a dark finish paint can show through a lighter Onyx color.

2 Dry-Fitting & Inspecting

Identify, inspect, and dry-fit (when possible) the wall panels. It may be necessary to remove the plastic to properly inspect the wall panel. Do any necessary trimming of the panels before applying any adhesive. Note: 1) Side panels are sent 1/8" taller than the back panel to allow for exact sizing. 2) Wall panels go to the inside of the water flange. See diagram to the right. The back panel should have about 1/8" of clearance on each side to allow for expansion. This clearance will be covered by the side panel. Side panels should have minimal gapping. Larger gaps can be covered with inside corner trim as needed - see inside corner trim instructions on our website for details.



During installation, if it becomes necessary to bend a panel, warming the panel will reduce the risk of the panel cracking when it flexes. When dryfitting, avoid sliding the panel on the shower base. Lifting the panel into place will reduce the chance of scratching the base. Side panels are sent taller to allow for exact on-size sizing. All panels should have about 1/8" clearance between the bottom of the panel and the base.

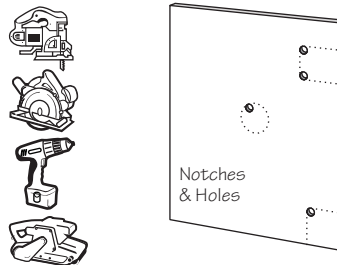
NOTE: If using crown molding, see crown molding instructions before installing wall panels.

3 Cutting

For trimming, shaping, drilling, or cutouts, use standard wood cutting tools such as jig saws, circular saws, drill bits, and belt sanders. Fine to medium tooth finish blades work best for cutting.

Make faucet holes with an electric drill and a normal hole saw bit or by using a jigsaw or circular saw.

Belt sanders work well for an exact fit.



All cut-outs for notches or accessories should have rounded corners (sharp corners can cause stress cracks). Rounded corners can be made by drilling 1/4" or larger holes at the corners of the openings and then cutting between holes with a jigsaw. (see sketch)

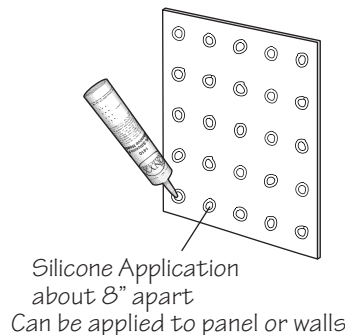
Note: Seats, grab bars, doors and other accessories may need wood backing. Install all wood backing before installing wall board and Onyx panels.

4 Silicone Adhesive

4.1) Apply Silicone Adhesive to Panel (or Wall) in 2" diameter rings, 3/8" thick, positioned about 8" apart (see sketch).

4.2) Run another bead along the perimeter of the panel (or the wall board) about 1" in from the edge. This bead will help support the area along the edge of the panel between the silicone rings.

4.3) Press the panel against the wall. The rings will flatten out and act like suction cups. Bracing may be needed while silicone cures.



Remove plastic wrap and inspect the panel.

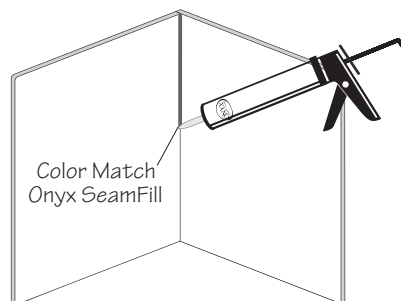
For best results, Use Adhesive Silicone from The Onyx Collection which is specially formulated to provide maximum adhesion and proper cure rate.

You will need one tube of adhesive (10.3 oz) for every 1,000 square inches, or 6-10 tubes for an average shower.

5 Seam Fill

Use our Color Match seamfill silicone for all seams between wall panels, between panels and the base, and around any accessories and trim.

Note: where the edges of the Onyx wall panels meet the drywall, you can use painter's tape on the drywall and then apply a small bead of our color match seamfill silicone to the small gap (silicone can not be painted so it is important to not get any silicone on the drywall).



To help clean up any excess silicone, have a bottle of Rubbing Alcohol and a roll of paper towels available.

Also, if you use your finger to smooth the silicone bead, dampening your finger with the rubbing alcohol will help make a smooth bead and also reduce smearing.



WALL PANEL INSTALLATION

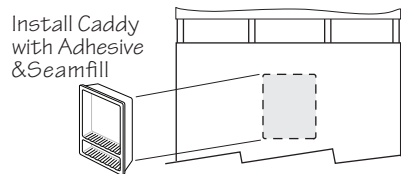
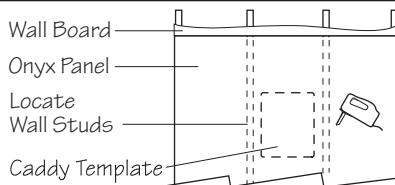
Belvue, KS 66407 • Phone: (800) 669-9867 • Fax: (800) 393-6699 • www.onyxcollection.com

❶ Installing Recessed Shower Caddies

If you are installing a recessed Soap or Shampoo Caddy, keep track of the locations of the wall studs so there is not a conflict when cutting the hole for the caddy.

Cut holes for recessed caddies after the panel is installed and fully supported by the wall.

Each recessed caddy includes instructions and a template for the exact cut-out needed.



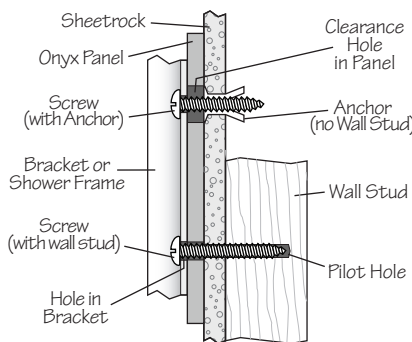
Always check for stud location before cutting the panel. If there are no studs in the intended area for the caddy, but the exact stud location is not known, begin with a small hole and then measure over to the stud for the exact location.

❷ Mounting Shower Doors and Shower Accessories

Follow the mounting instructions that come with each accessory.

When drilling holes in the Onyx Wall Panel, always make the hole slightly larger than the fastener in order to avoid stress on the panel.

If anchors must be used because the screw location cannot be aligned with a wall stud, make the clearance hole in the Onyx Panel large enough for the head of the anchor to fit through so it can anchor securely into the wall board behind the panel. (see sketch)



NOTE: Apply seam fill silicone to shower seams prior to installing shower doors.

Clearance holes through the Onyx Panels are very important. Fasteners should pass through a clearance hole in the Onyx and never screw directly into the Onyx. Always secure fasteners to anchors or wood backing as seen in the sketch.

Ceiling Panel Installation

Ceiling panels follow a similar process for installation. Install your Ceiling panel following steps ❶ through ❺.

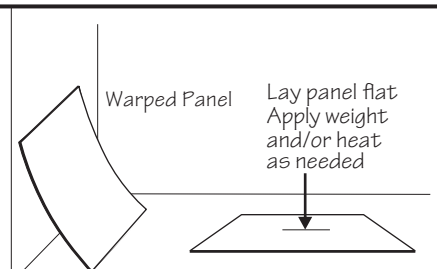
NOTE: Bracing is necessary for ceiling panels. We recommend bracing overnight to allow the silicone to cure.

Other Helpful Suggestions & Solutions

What to do if a panel is not flat:

If a wall panel has a bend in it, it can be flattened by simply laying it on a flat surface overnight. To flatten the panel faster, gradually apply a little weight and/or heat (normally heat is not necessary, but if it is, an electric blanket or hair dryer will work well). Try to get the temperature up to 90 degrees.

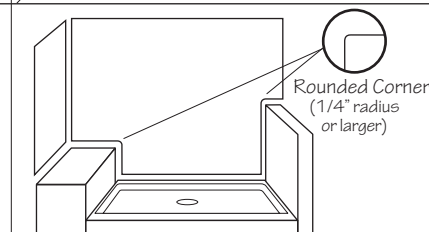
The panel should flatten within a few minutes.



Cutting or Notching Panels:

Always put a radius on the inside corner when notching a panel. The rounded corner will greatly reduce the chance of the panel cracking during installation.

In cooler temperatures, use extra caution when cutting and notching panels because the panels do not flex as well when cold. Warming the panel will make it more flexible and easier to install.



Cleaning and Care:

Your Onyx products can be cleaned using almost any liquid household cleaner (except those that have abrasive particles in them which can scratch the Onyx surface). We offer a cleaner and surface protector (Eliminate® and Repel®), but most quality cleaning products you can buy locally will work well. After cleaning, use Repel® or Gel Gloss® to make future cleaning easier. For heavy cleaning, a soft brush can be used.

Also, ventilation is important to help reduce water spots and mineral deposits, so keep doors open when possible.

