



# INSTALLATION INSTRUCTIONS

105 Broadway St. Belvue, KS 66407  
Phone: 800-669-9867 Fax: 800-393-6699  
www.onyxcollection.com

 **ALUMAX**  
BATH ENCLOSURES  
by Sapa  
800-643-1514  
www.alumaxshowerdoor.com



# Frameless Panel

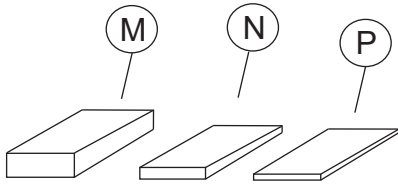


Shower Panel

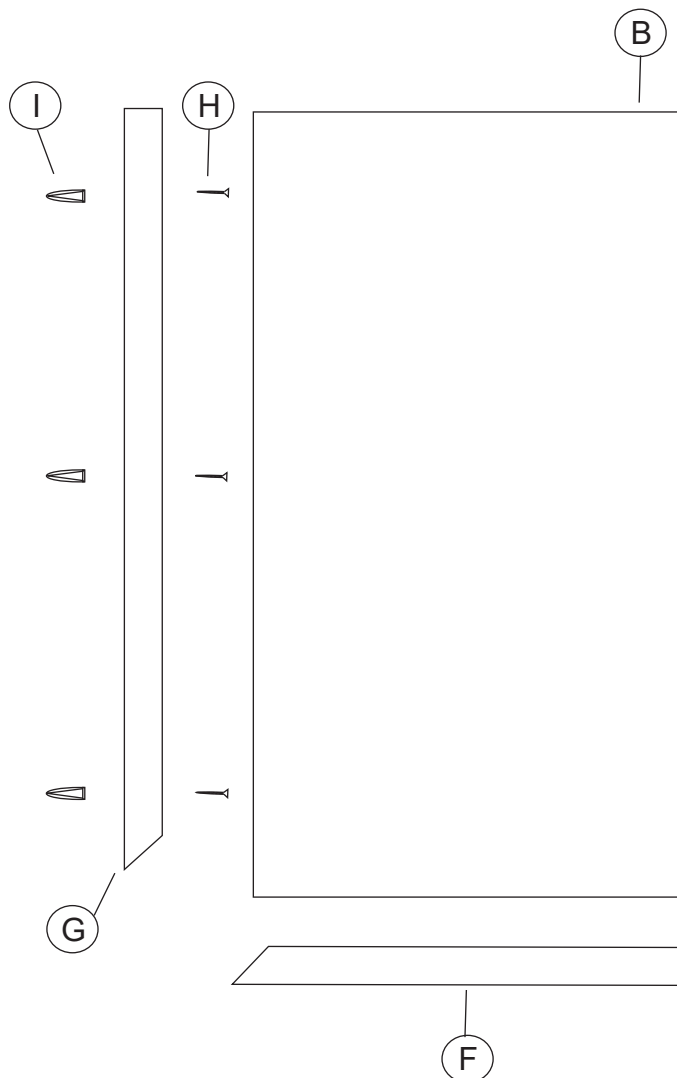


Notched Shower Panel

# Parts List



- A) Shower Or Notched Shower Panel
- B) Polished Pan Head Screws
- C) 1/4" Anchors (Blue)
- D) Glazing Channel w/ double stick tape
- E) Glazing Wall Channel w / holes
- F) 1/4" Clear Setting Blocks
- G) 1/8" Clear Setting Blocks
- H) 1/16" Setting Blocks



# INSTALL INSTRUCTIONS

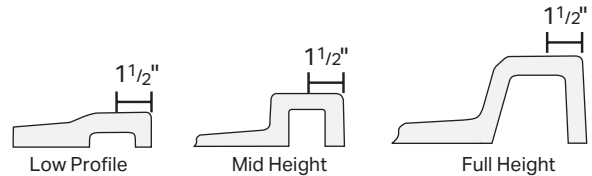
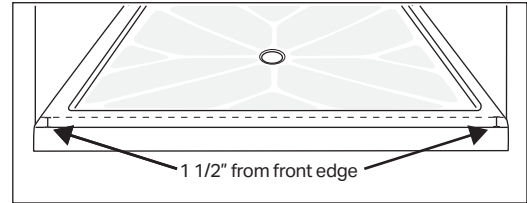
1

## FINDING PANEL LOCATION ON CURB

Measure back 1 1/2" from the outside edge of the base curb on the left side of the opening. Mark it with a grease pencil or non abrasive marker.

Measure 1 1/2" from the outside edge of the base on the curb on the right, and mark.

Using a straight edge, connect the marks. This is the centerline of the glass.



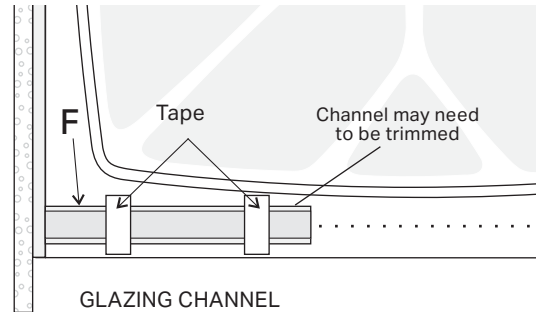
2

## LINING UP HORIZONTAL GLAZING CHANNEL

Place glazing channel (D) onto threshold and line it up with the centerline (this channel will need to be removed in a later step so do not adhere it to the threshold yet).

Make sure glazing channel (D) is centered on the centerline shown in step 1.

Painters tape can be used to hold glazing channel in place.



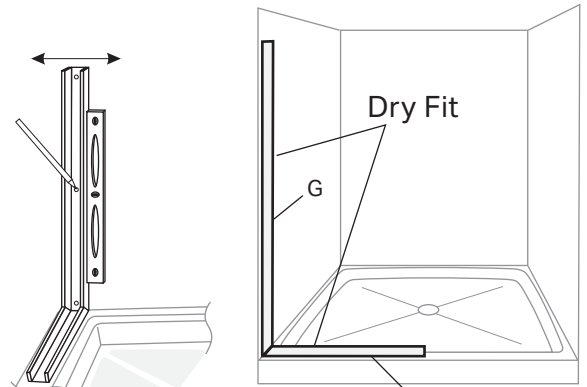
3

## LINING UP VERTICAL GLAZING CHANNEL

Place vertical glazing channel (E) on top of the bottom glazing channel (D) and line them up where they meet in the bottom corner.

Using a level, plumb the vertical glazing channel. This is a very important step so take time to make sure the vertical channel is perfectly plumb.

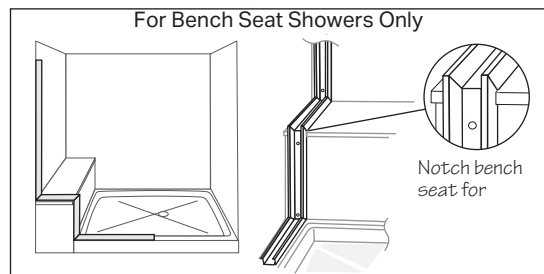
Mark holes for drilling and remove both glazing channels.



### SPECIAL INSTRUCTIONS FOR BENCH SEAT SHOWERS

For showers with bench seats, the glazing channel will need to be installed on the vertical face of the seat and also along the top part of the seat as seen in the picture. Any overhang on the seat will need to be notched where the glazing channel will go.

If there is any mosaic tile in the opening, this will need to be notched to allow the channel to lay flat against the shower wall.



Notch, shape, or modify mosaic trim around the glass channel

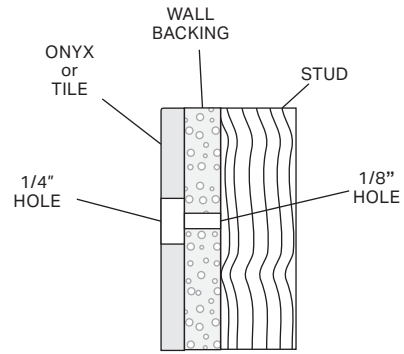
# 4

## PRE-DRILLING FOR GLAZING CHANNELS

Pre-drill holes through the shower wall using a 1/4" drill bit. Pre-drill through wall board using an 1/8" drill bit.

Note: If there is no wood backing, use the anchors provided.

Clean all dust and debris from the shower wall and the threshold to prepare for mounting the channels.

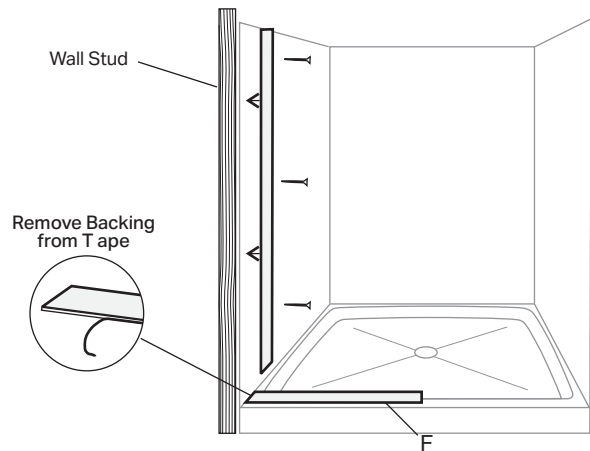


# 5

## INSTALLING THE CHANNELS

Install the bottom glazing channel (F) first. Pull the tape backing from this channel and set it in place on the threshold, positioning it in the center of the threshold. Make sure to position it carefully as the tape is very strong! Press glazing channel (F) down and hold for 10 - 15 sec.

Install the vertical glazing channel (G) by screwing it to the shower wall using the 2" panhead screws (H).



# 6

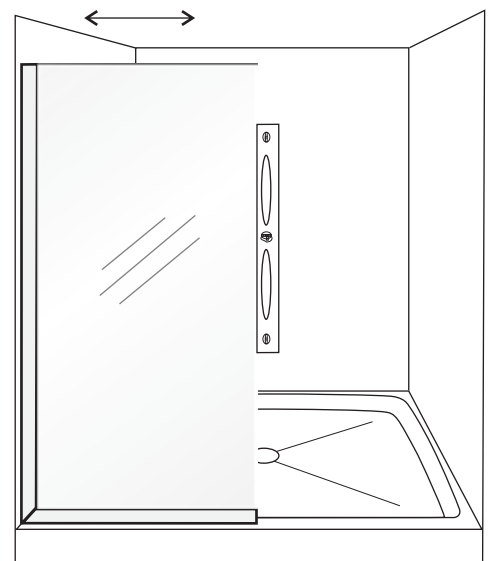
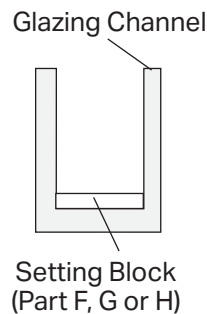
## DRY FITTING SIDE PANEL

**Note: Please Handle Glass With Care!**

Put two setting blocks (Part F, G, or H) into the bottom glazing channel to rest the glass panel onto when dry-fitting it. Setting blocks may have to be changed or adjusted later.

Place the panel (A) inside the glazing channels.

Place a level on the edge of the panel (A) and adjust the setting blocks in order to make the glass plumb. Several different thicknesses of setting blocks are provided to help with adjustments.

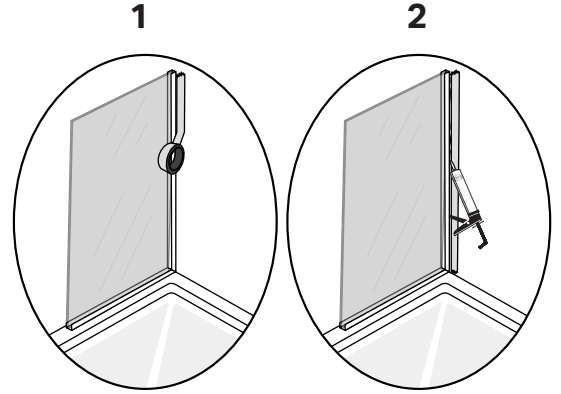


# 7

## SILICONE

To apply the cleanest bead of silicone, use the yellow masking tape to tape along the seams (Glass-to-Channel and Channel-to-Onyx.)

Silicone the Fixed Glass Panel (Glass-to-Channel and Channel-to-Onyx.)



# 8

## INSTALLING SIDE PANEL

Place the panel (A) back in to the glazing channels.

If any silicone “oozes” out of the channel, clean it off quickly using a spray bottle of rubbing alcohol and paper towels.

Now seal the glass and channel by applying a small silicone bead where the channel meets the glass, and where the channel meets the base curb and walls.

