

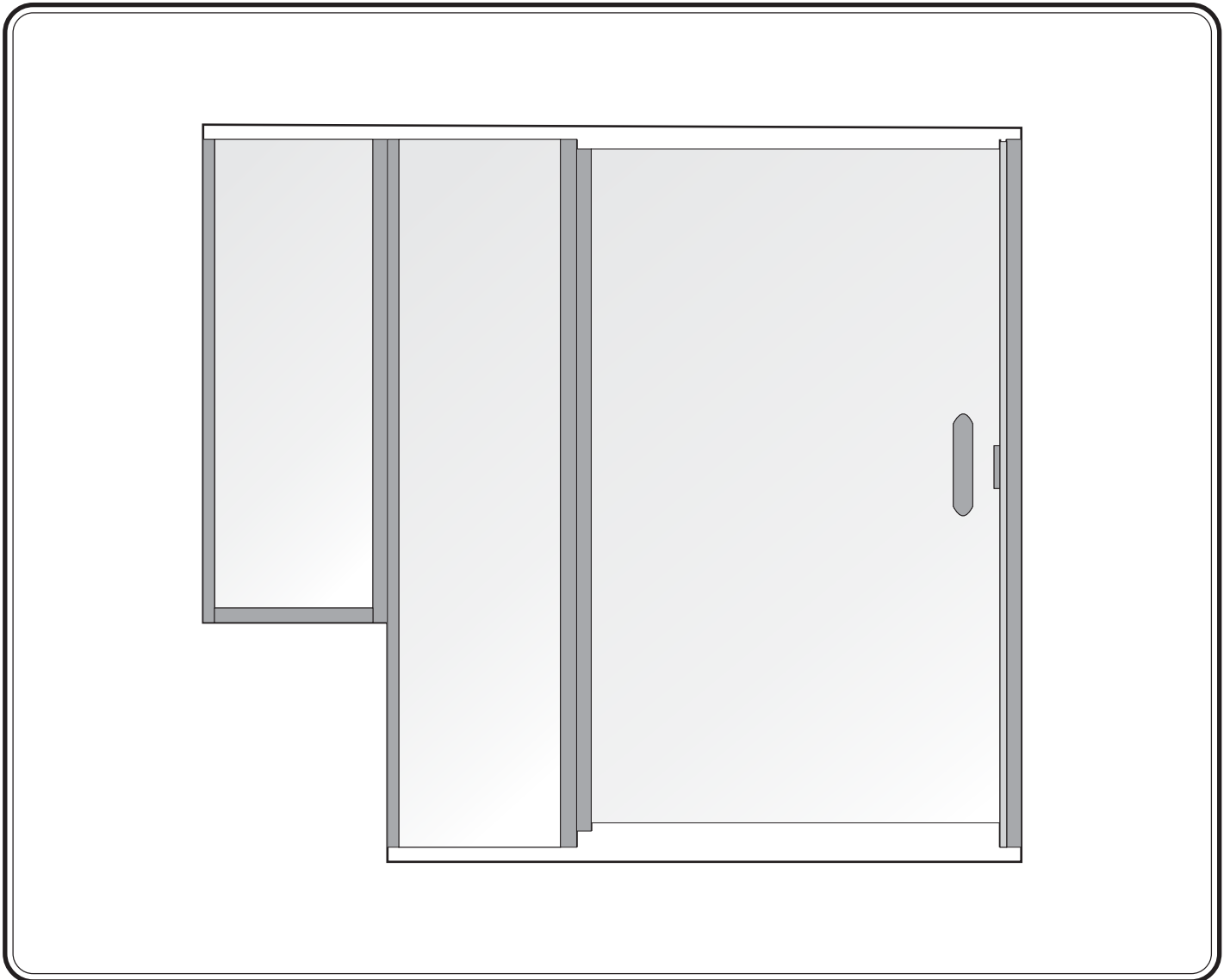


# INSTALLATION INSTRUCTIONS

105 Broadway St. Belvue, KS 66407  
Phone: 800-669-9867 Fax: 800-393-6699  
[www.onyxcollection.com](http://www.onyxcollection.com)

 **ALUMAX**  
BATH ENCLOSURES  
by Sapa  
800-643-1514  
[www.alumaxshowerdoor.com](http://www.alumaxshowerdoor.com)

## SEMI-FRAMELESS DOOR WITH GLASS PANEL & BENCH GLASS





---

**Yes! Guaranteed Forever!**

---

Proudly Made in Kansas, USA  
105 Broadway St. Belvue, KS 66407

Our phones are answered by knowledgeable people from  
7:00 a.m.- 5 p.m. Central Time, Monday - Friday.

After hours you can leave a voice mail message and we will be glad to return your call  
(We do not have showrooms at our factory or office.)

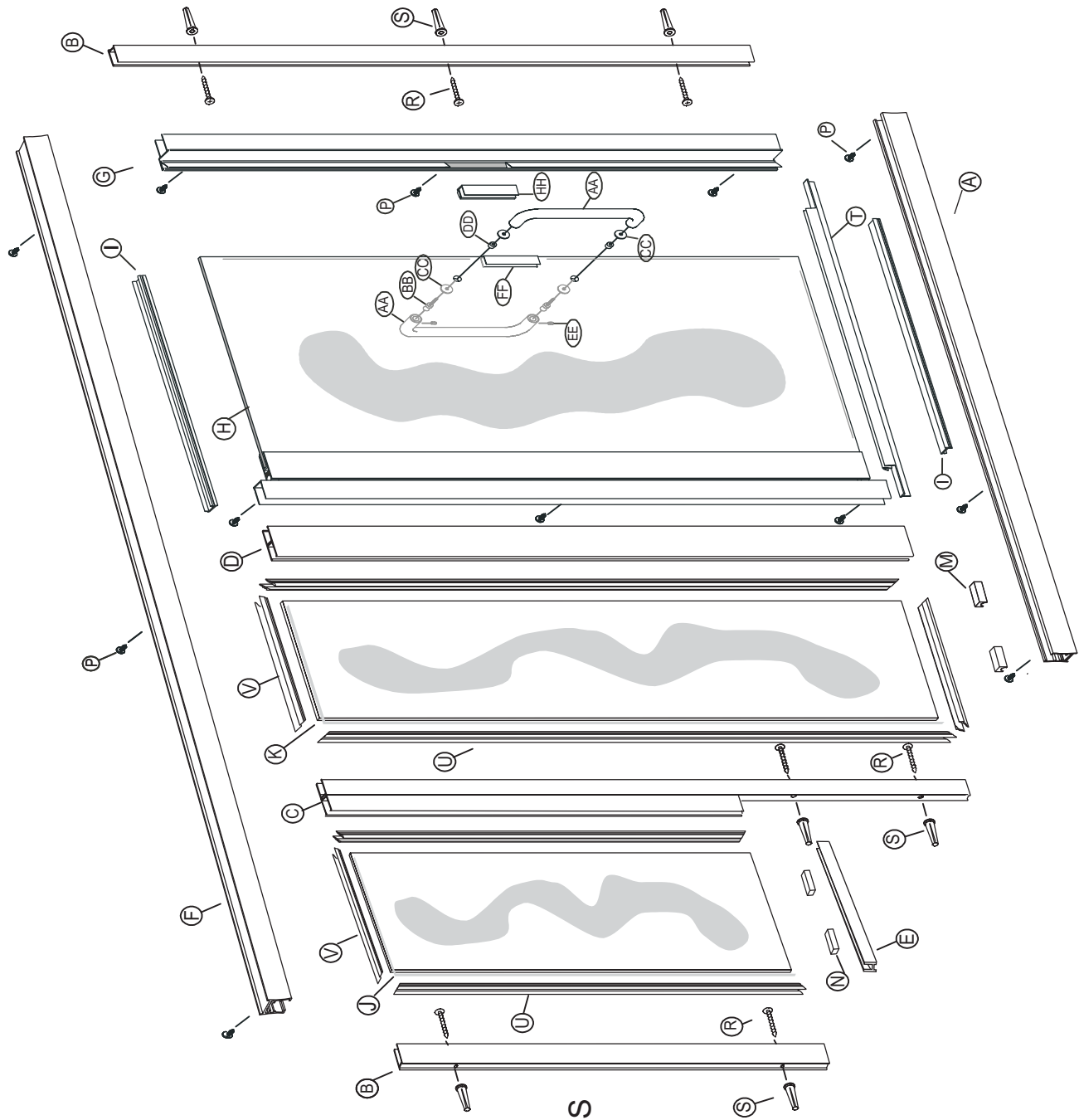
**1-800-669-9867**  
**1-800-ONYXTOP**

---

[www.onyxcollection.com](http://www.onyxcollection.com)

---

- A) CURB TRACK has weep slots
- B) 2 WALL JAMBS
- C) TRANSITION POST
- D) 180° POST
- E) BENCH CURB TRACK
- F) HEADER TRACK
- G) STRIKE JAMB
- H) DOOR ASSEMBLY
- I) SNAP-IN FILLERS
- J) BENCH GLASS
- K) SIDE GLASS
- M) GREY SETTING BLOCKS
- N) BLACK SETTING BLOCKS
- P) 16 #6 X 3/8" SCREWS
- R) 10 #8 X 2" SCREWS
- S) 10 1/4" WALL ANCHORS
- T) NOTCHED SWEEP
- U) 8 VERTICAL GLAZING VINYL
- V) 8 HORIZONTAL GLAZING VINYL

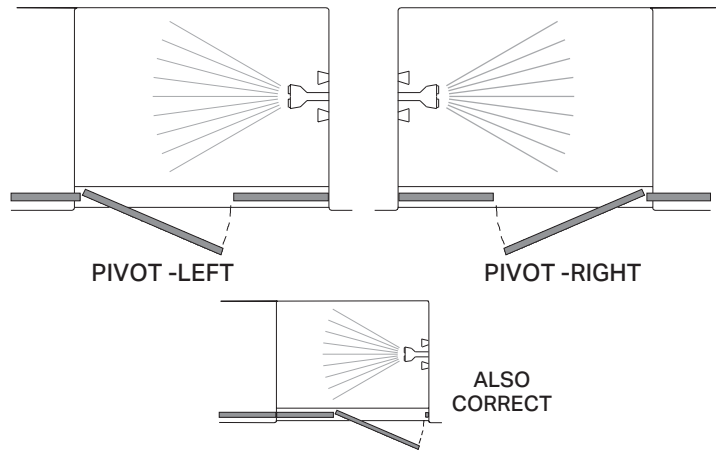


- AA) 2 HANDLE SIDES
- BB) 2 CONE HEAD SCREW
- CC) 4 PLASTIC WASHERS
- DD) 2 PLASTIC BUSHINGS

**ALSO INCLUDED**  
 1/8" DRILL BIT  
 10 oz TUBE ONYX ADHESIVE

# 1

Your ONYX shower door is completely reversible and can be installed to swing left or to swing right. The door can also swing off of any post. For best waterproofing, The hinge side should be opposite the shower head. Use the illustration to determine where the hinge should be installed.

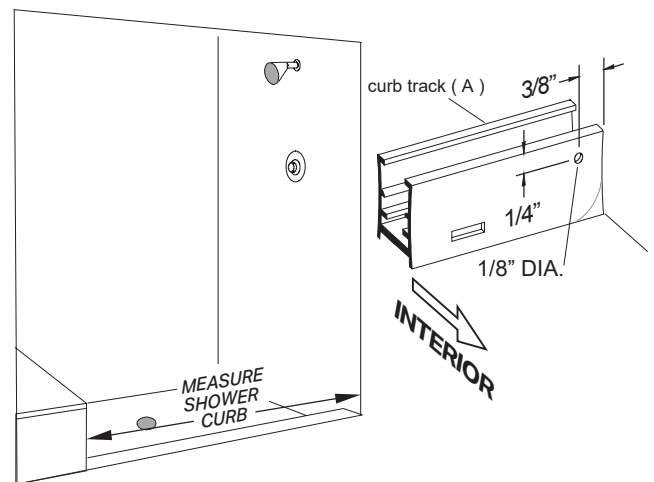


# 2

Measure the curb opening from the wall-to-bench. Cut curb track ( A ) to tightly fit this opening. It might be necessary to file the bottom corners of the curb track to get a tight fit.

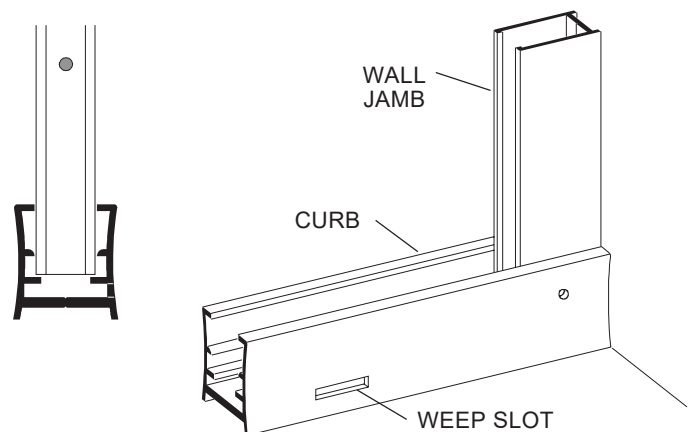
Use a 1/8" drill bit to drill the inside face of the curb track on both ends as shown in the illustration.

Place the curb track in the center of the curb with the weep holes facing to the inside of the shower. Use a pencil to mark this position on the threshold.



# 3

Use masking tape to hold curb track in place. Take the longer wall jamb ( B ) and set it down inside the curb track. Use a level to make the wall jamb level vertically. Once wall jamb is level mark holes for drilling. Remove wall jamb and drill a 5/16" holes, then place 1/4" ( T ) anchors into the holes.

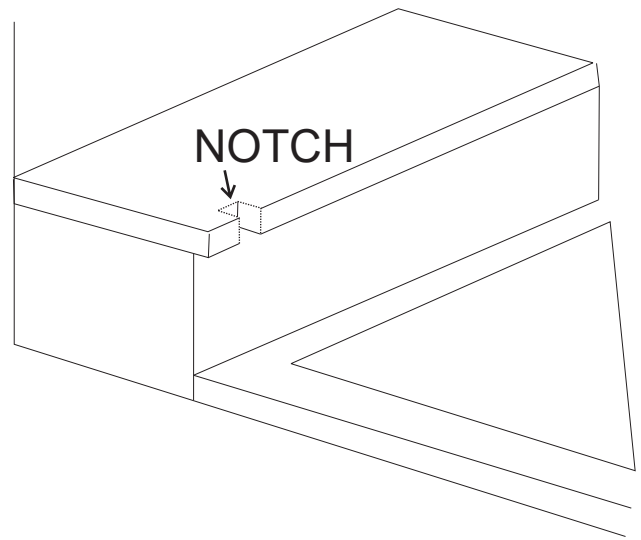


---

---

# 4

Set transition post ( C ) down inside the curb track ( A ). Using a level, level the transition post vertically. Mark on either side the transition post where you're going to notch the seat. Now remove the transition post and notch the seat . Once the seat is notched, place the transition post back down inside the curb track (the long side of the transition post should sit flush against the face of the bench) and mark for holes. Drill holes using a 5/16" drill bit. Then place 1/4" anchors into holes.

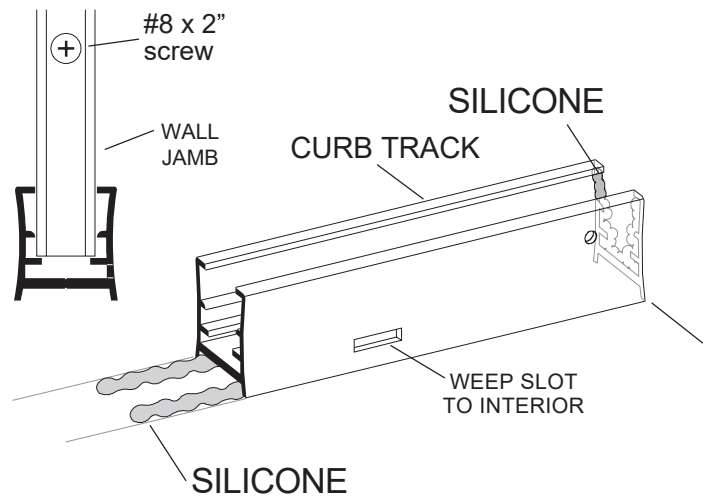


---

---

# 5

Remove curb track and wipe down the curb and shower walls with a dry cloth to remove debris. Place two lines of adhesive silicone down between the pencil line, also put silicone on both ends of curb track. Place Curb track down on top of the silicone so that the weep slots are facing into the shower. Screw Wall jamb into place.



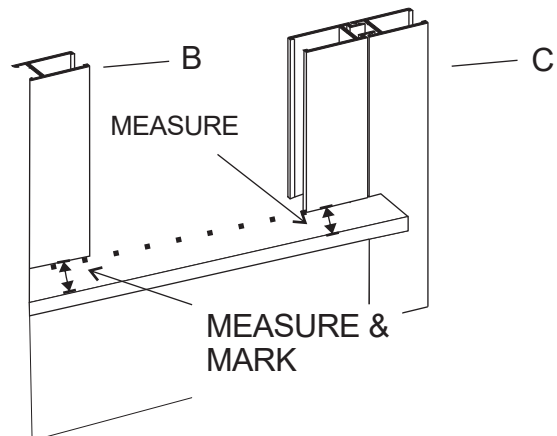
---

---

# 6

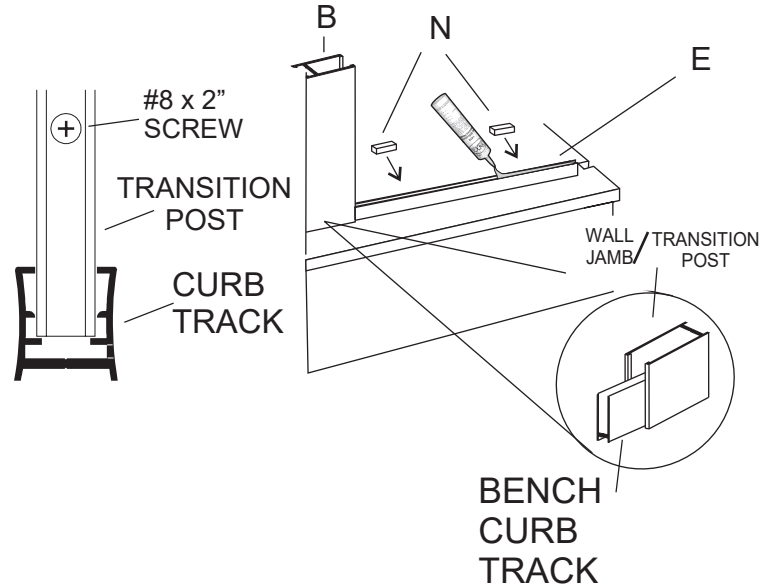
Measure from edge of seat to face of the transition post ( C ). Using the measurement from the transition post, measure and mark for bench wall jamb placement. Place bench wall jamb ( B ) onto seat, level and mark for drill holes. Drill 5/16 holes place 1/4" anchors into holes. Screw wall jamb into place.

Note: Jambs will rest directly on seat.



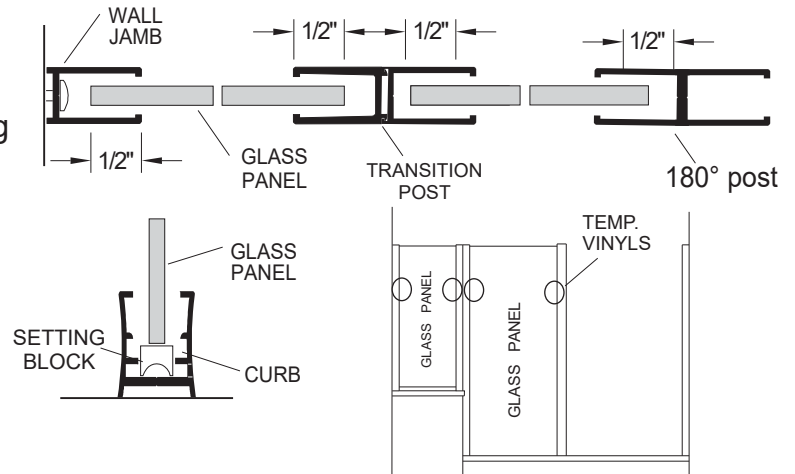
7

Slide bench curb ( E ) into bench wall jamb. Place black setting block ( N ) down inside of bench curb. Dry fit Bench glass. Glass should sit 1/8" from top of wall jamb ( B ). If every thing fits properly then remove glass. Fill bench curb track with silicone (this is called wet glazing). Place glass down into bench curb. Place transition post down inside curb track and down over top bench seat.



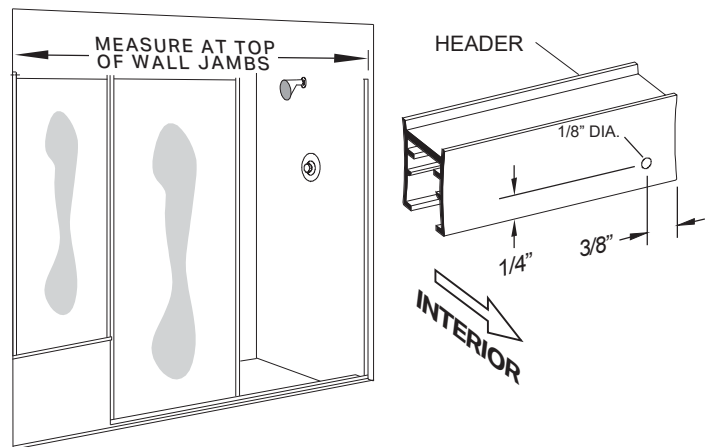
8

Place grey setting block (M) inside curb track so that the flat part is up and is 3" from corner of glass. Set glass panel on top of grey setting blocks. Place 180° post (D) inside curb track. Use temporary vinyls to hold glass and tracking in place.



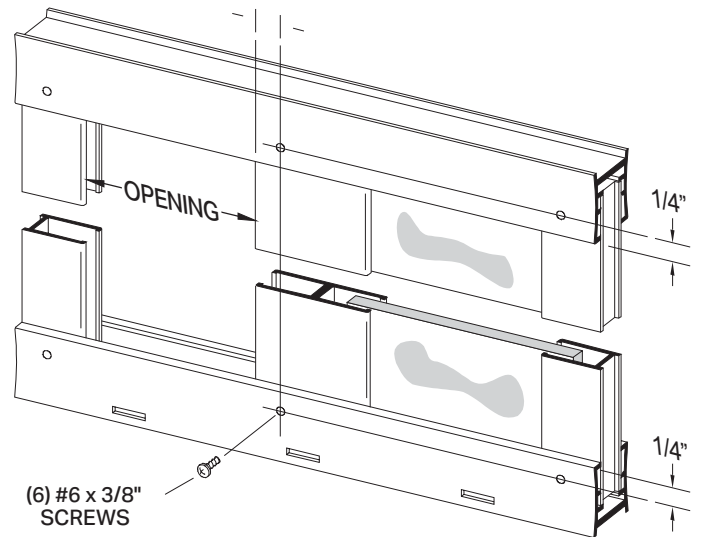
9

Measure from wall to wall on top of the unit. Cut header track ( F ) to size. Drill 1/8" hole into the header track 3/8" from each end (see illustration).



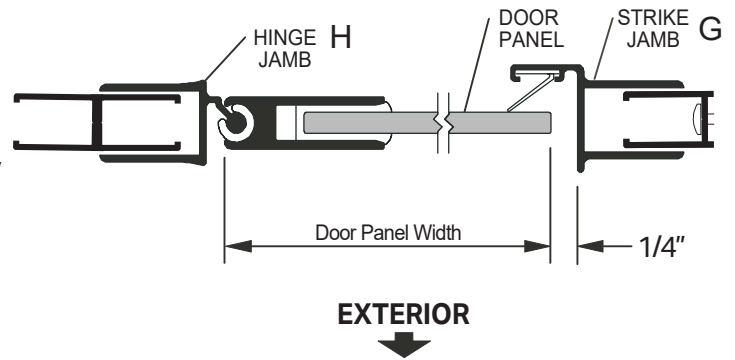
# 10

Place header track ( F ) over top of the all the jambs. Level all the center posts, then pre-drill 1/8" holes into the center posts (BE CAREFUL NOT TO DRILL THE GLASS BECAUSE IT WILL BREAK). Screw header track into place.



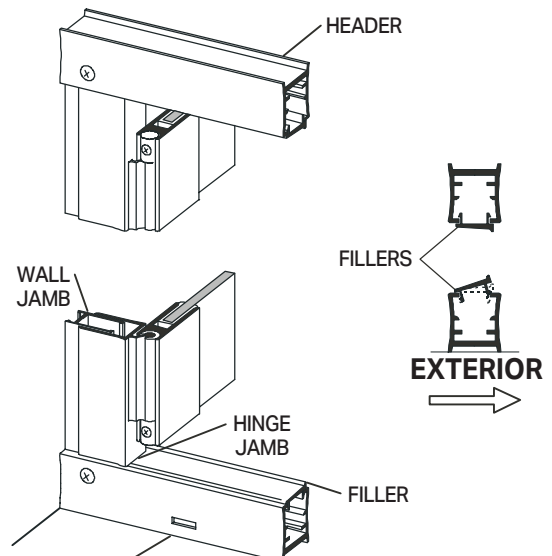
# 11

Slide door assembly (H) and strike jamb (G) over top wall jamb or center posts (magnet on strike jamb should be facing to the exterior of the door). Level Door and hinge so that there is a 1/4" between the door panel and the inside face of the strike jamb. Use painters tape to hold hinge and strike into place for now



# 12

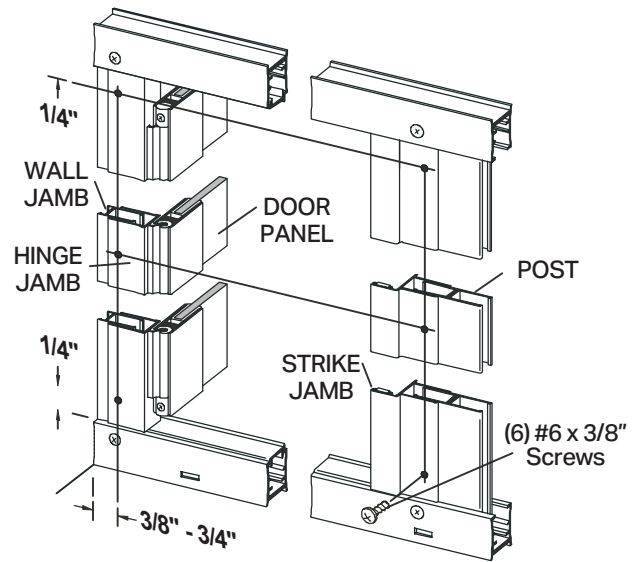
Center snap-in fillers (I) between the hinge and strike jamb. Make sure the edge of the snapin fillers is facing to the outside of the shower. Press snap-in fillers into place.



# 13

Push the bottom part of the hinge jamb tight to the snap-in filler then plumb the door assembly. Drill three 1/8" holes through the jambs. Then using #6 x 3/8 screws ( P ),screw into place. Slide the top snap-in filler over tight against the hinge jamb.

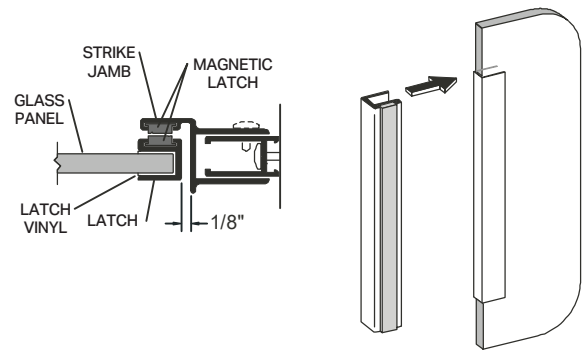
Slide strike jamb over tight to the snap in fillers. Drill three 1/8" holes. Then using #6 x 3/8 screws ( P ), screw into place.



# 14

Slide the magnet catch (HH) onto the handle side of the door glass. Close the door and slide the magnet catch up or down until the magnets line up. Using a pencil to mark where the magnet catch will be on the door. Remove magnet catch from door.

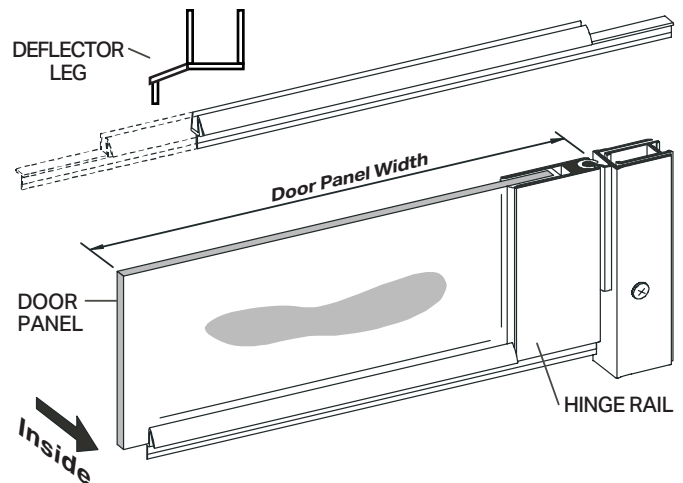
Wrap magnet catch vinyl (FF) around the handle side of the glass where it was marked. Slide the magnet catch overtop the vinyl and drive the magnet catch into place. Spraying soapy water onto the vinyl makes assembly easier. Trim off the extra vinyl with a box knife.



# 15

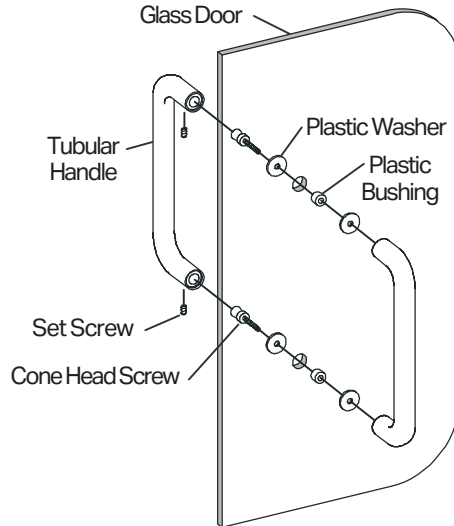
The deflector leg of the notched sweep should be to the inside of the door, and the notch should be under the hinge rail as shown in the drawing.

To determine the door panel width measure the distance from edge of the glass to the edge of the hinge rail. The sweep should be cut to *Door Panel Width* - 7/16". Press the sweep onto the bottom edge of the door glass as shown. You may use silicone to help hold sweep in place.







# 16

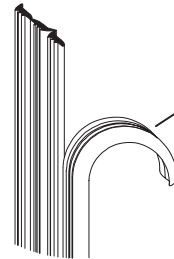
Find the handle that does not have set screws. Place a plastic bushing in the top handle hole, then place a plastic washer against the glass. Next Place the handle without set screws against the washer then put another plastic washer on the cone head screw. Slide the threaded part of the cone head screw through the hole and into the handle and tighten. Repeat for process for bottom hole. Slide remaining handle over the cone head screw. Hold the handle firmly against the glass then tighten the set screws.



# 17

Inspect the black glazing vinyls, note there are two types of vinyls. The small wedge shaped vinyl is installed vertically. The big rounded vinyl is installed horizontally. These vinyls are used for structural strength and water resistance, they are designed to fit between the frame and the glass. Soapy water will help make installation go easier.

FIXED GLASS PANEL	VERTICAL	HORIZONTAL
1/4" GLASS REQUIRES:	V-219 	V-220 
3/16" GLASS REQUIRES:	V-226 NOTCH 	V-225 NOTCH 

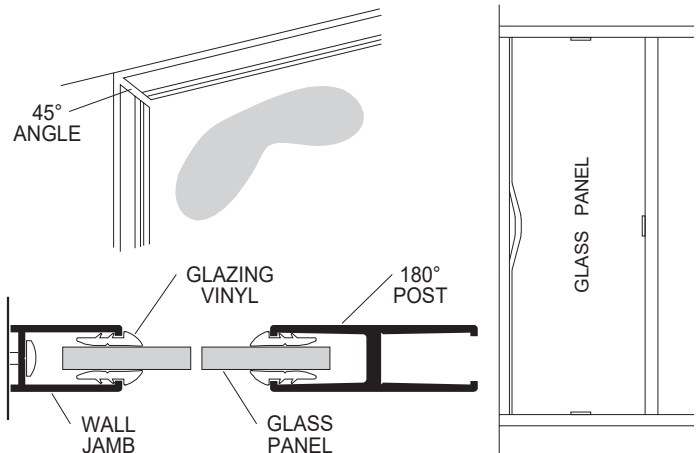


STANDARD SIZES SHIPPED WITH 4 PIECE VINYL (TEAR APART)

# 18

Cut vertical vinyl ( U ) 1" longer than the vertical opening of the glass panels at a 45° angle.

Take one of the vertical vinyls and press one of the corners into top corner of the glass, do the same at the bottom and work your way to the middle. Try not to stretch the vinyl. Do this for the rest of the vertical vinyls.

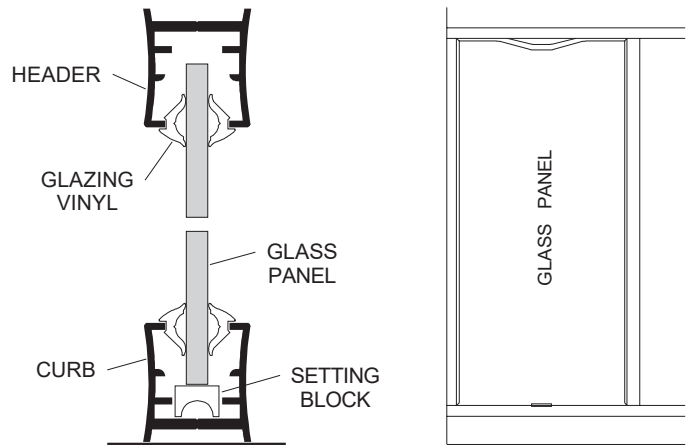


---

---

19

Cut the horizontal vinyls ( V ) 1/2" longer than the glass opening with a 45° angle on either end. Install top exterior vinyl first by putting both ends in first and working to the center. Try not to stretch the vinyl. Repeat this process for the rest of the horizontal vinyls.



---

---

20

To apply the cleanest bead of silicone, use the yellow masking tape to tape along the seams (Glass-to-Channel and Channel-to-Onyx.)  
Silicone the Fixed Glass Panel (Glass-to-Channel and Channel-to-Onyx.)

NOTE: The caulking should be allowed to cure for twenty four hours before using your new shower enclosure.

