



INSTALLATION INSTRUCTIONS

105 Broadway St. Belvue, KS 66407
Phone: 800-669-9867 Fax: 800-393-6699
www.onyxcollection.com

 **ALUMAX**
BATH ENCLOSURES
by Sapa
800-643-1514
www.alumaxshowerdoor.com



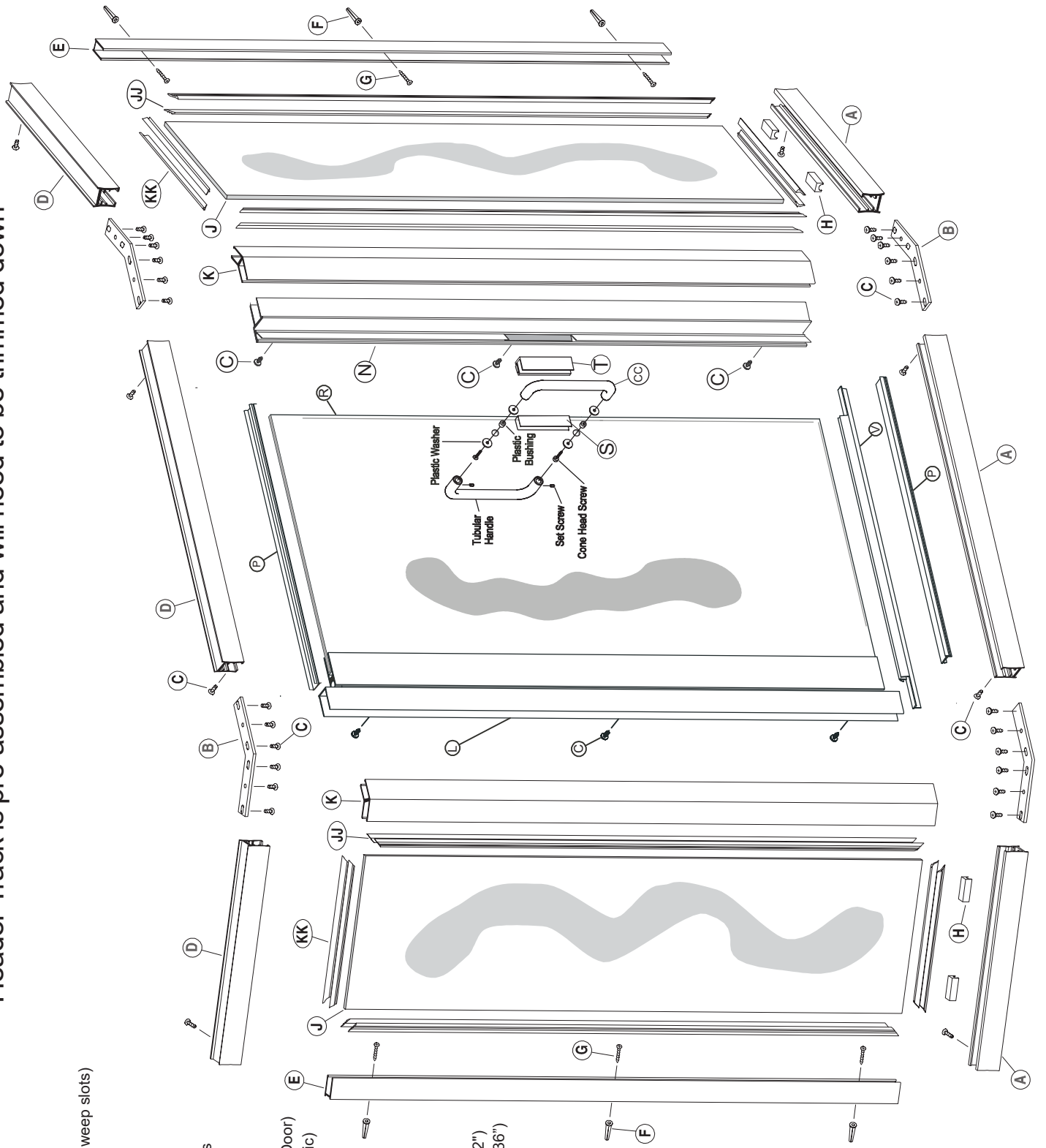
394CV Series

Neo Angle Shower Enclosure

Header Track is pre-assembled and will need to be trimmed down

394 STIKSTALL PARTS LIST

- A. 1 Pre-assembled Curb (with weep slots)
- B. 4 135° Anchor Plates
- C. 16 #6 x 3/8" Screws
- D. 1 Pre-assembled Header
- E. 2 Wall Jamb
- F. 8 1/4" Anchors
- G. 8 #8 x 2" Truss Head Screws
- H. 4 Plastic Setting Blocks
- J. 2 Fixed Glass Panels
- K. 2 135° Posts
- L. 1 Hinge Jamb (Attached to Door)
- N. 1 Strike Jamb Assy (Magnetic)
- P. 2 Snap-in Fillers
- R. 1 Assembled Door Panel
- S. 1 Handle Vinyl
- T. 1 Magnet Catch
- V. 1 Drip Vinyl
- CC. 1 Door Handle
- DD. 1 Door Handle Vinyl (8")
- JJ. 8 Pcs. Vert. Glazing Vinyl (72")
- KK. 8 Pcs. Horiz. Glazing Vinyl (36")



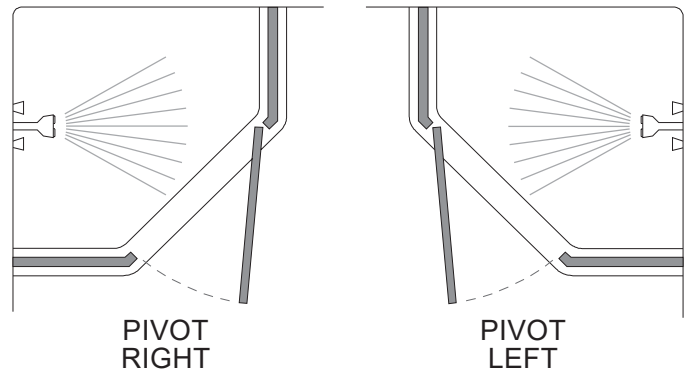
Curb Track is pre-assembled and is cut to size. Trimming in not necessary.

1

The ALUMAX 394 STICK STALL Shower Enclosure is completely reversible and may be installed pivot-left or pivot-right. For maximum waterproofing, the pivot jamb should always be opposite the shower head. Using the illustration, determine the correct position for the door in your particular STICK STALL installation. This instruction sheet depicts a pivot-right installation.

NOTE: Fixed glass panel sizes should be determined by formulas shown on ALUMAX detail sheet.

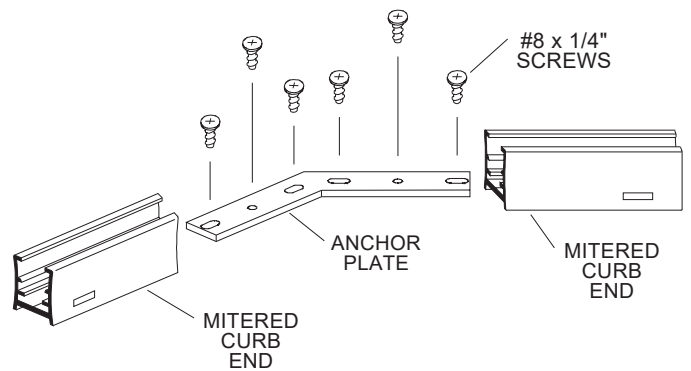
CAUTION: For safety reasons, the door pane must always open outward.



2

Assemble the three curb sections [A] (with weep slots) by sliding two 135° anchor plates [B] into the mitered ends and forcing the sections together. The weep slots in the curbs must be to the inside. Using the slotted holes in the anchor plates as a guide, drill matching 1/8" holes into the curbs. Secure the anchor plates to the curb assembly with eight #8 x 1/4" truss head screws [C]. As you tighten the screws, be sure the miters are forced tightly together. To increase the rigidity of the mitered joint, drill and install two more screws through the round holes in the bracket.

Assemble the three header sections [D] in the same manner and set the header assembly aside.



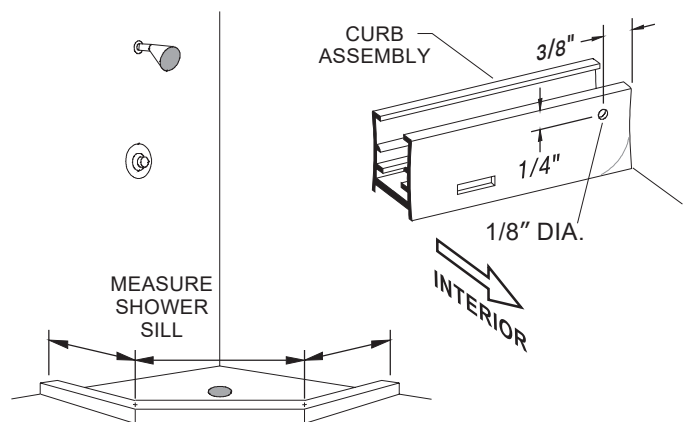
**THIS MAY ARRIVE
PRE-ASSEMBLED**

3

Using a 1/8" drill bit, drill the interior face of the curb assembly [A] on both ends as shown.

Reposition the curb assembly on the shower sill and mark its position with a pencil line along the interior and exterior base.

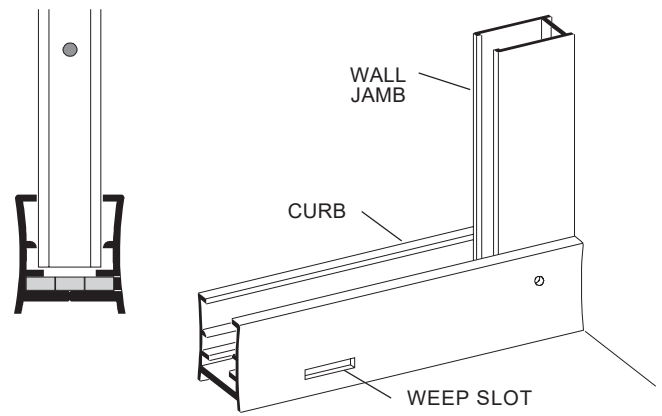
NOTE: The curb track is already cut to size.
(The header track will need trimming in step #7)



4

Place the two wall jambs [E] into the ends of the curb assembly [A]. Masking tape may be used to hold the curb in place during this operation. Plumb the jambs and mark the hole locations on the wall. Remove all parts and drill the walls for mounting hardware.

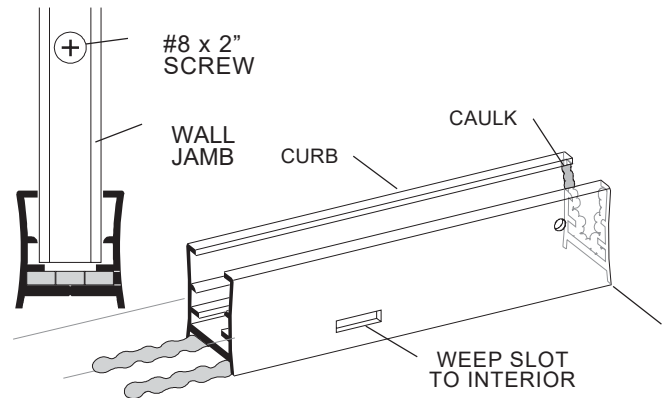
For tile or marble walls, drill six 1/4" diameter holes and insert the plastic wall anchors [F]. Attachments to fiberglass or acrylic units can be made in two ways. If a reinforcement is built into the wall of unit, drill six 1/8" holes to install mounting screws directly into the reinforcement. If walls are not reinforced, drill six 1/4" holes and install plastic wall anchors or toggle bolts (toggle bolts not supplied by ALUMAX).



5

Wipe the shower walls and sill, curb assembly [A], and wall jambs [E] with a clean, dry cloth to remove any dust or debris. Apply a 1/4" bead of caulk along the inside of both of the pencil lines marked in Step #3. Carefully replace the curb in the exact position marked. Caulk the inside of the curb ends where they meet the wall. Caulk generously around the anchor plates [B], screws [C], and the inside of the mitered joints.

Replace both wall jambs and attach to the wall with six #8 x 1 1/2" truss head screws [G].



BE SURE THE SHOWER IS PROPERLY SILICONED BEFORE INSTALLING THE DOOR

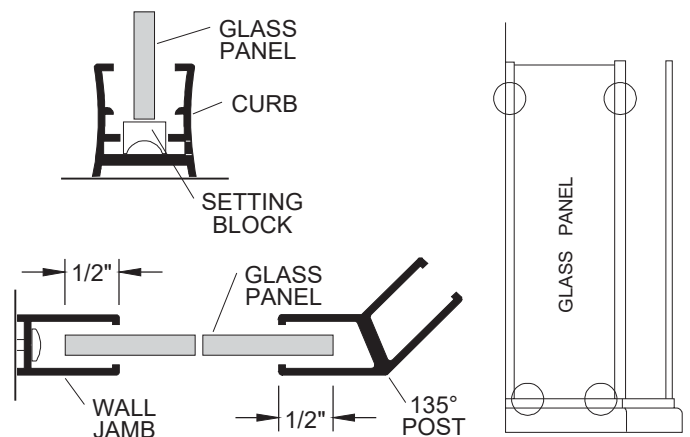
6

Place four setting blocks [H] in the curb assembly [A] to support the two fixed glass panels [J]. Position the blocks 3" from each corner of the panels. Remove any protective strips from the first glass panel and set it into place on the setting blocks and approximately 1/2" into the wall jamb [E]. A strip of masking tape 1/2" from each vertical edge of the glass will aid alignment.

NOTE: Obscure glass panels should be installed with the rough surface of the glass to the exterior of the unit.

Press a 135° post [K] into the curb assembly. It should overlap the glass panel by 1/2". Use masking tape to hold the post in position temporarily. Repeat the glass and post installation on the opposite panel.

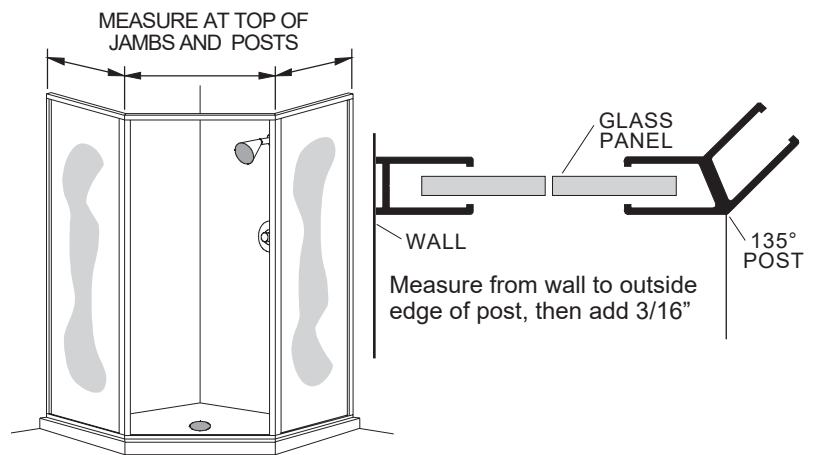
NOTE: To facilitate out of plumb walls, the 1/2" glass bite may be varied from 1/4" to 3/4".



7

Hold the two 135° posts [K] plumb and carefully measure horizontally from the top of each wall jamb [E] to the outside edge of the posts. Add 3/16" to each measurement to find the corresponding dimension on the header assembly [D] (from the outside mitered edge to the squared ends) and trim the header assembly to fit.

Using a 1/8" drill bit, drill the interior face of the header assembly on both ends as shown.

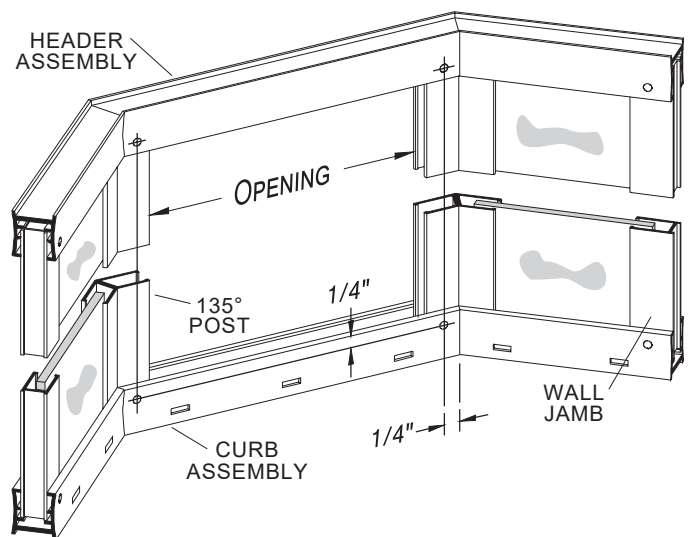


8

Press the header assembly [D] over the wall jambs [E] and the 135° posts [K]. Check the posts for plumb. Adjust as required by varying the overlap of the header over the wall jambs. You may need to trim the ends of the header where it meets the wall. The minimum horizontal dimension for the door opening is the door panel width (see the graphic in Step #9) plus 1/2", maximum is the door panel width plus 1 3/4".

Using the holes in the ends of the header and curb as a guide, drill four 1/8" holes into the wall jambs. Drill four holes thru the header and curb into the two posts as shown, then enlarge the outer holes with a 3/16" drill for clearance on the self-tapping screws. Secure the header and curb to the wall jambs and posts with eight #6 x 3/8" self tapping screws [C].

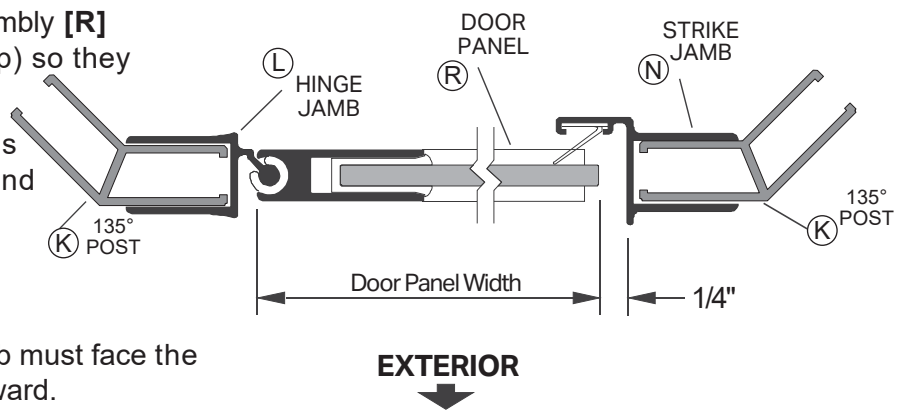
CAUTION: Slide glass panels [J] away from the jamb or posts before drilling to prevent damage or breakage.



9

Push the hinge jamb/door panel assembly [R] and the strike jamb [N] (with magnetic strip) so they overlap the 135° posts [K]

Adjust the door panel assembly so there is 1/4" clearance between the strike jamb and the strike edge of the glass door panel in the closed position. Mark the location of the hinge jamb on the 135° post.

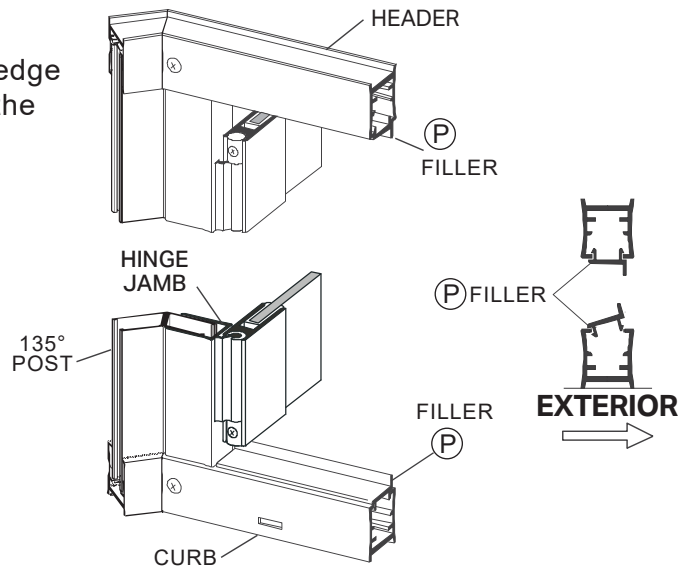


NOTE: The magnetic strip on the strike jamb must face the exterior, and the door panel must open outward.

10

Snap both fillers **[P]** into the curb and header between the hinge and strike jambs with the raised edge on the exterior side. Center the curb filler between the hinge and strike jamb (use masking tape to hold in position).

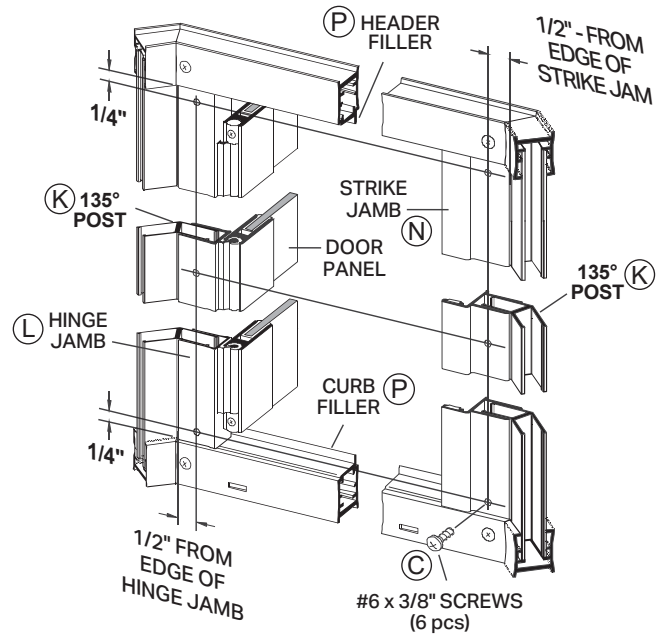
NOTE: The snap-in fillers should be exactly 7/16" longer than the door panel width.



11

Press the bottom end of the hinge jamb **[L]** tightly against the curb filler **[P]** and plumb the jamb. Drill two 1/8" holes thru the hinge jamb and into the 135° post **[K]** 1/2" from the outside long edge, and approximately 1/4" from each short edge of the jamb. Drill a third hole centered between the first two and enlarge the outer holes with a 3/16" drill for clearance on the self-tapping screws. Attach the hinge jamb to its post with three #6 x 3/8" self tapping screws **[C]**.

Press the header filler tightly against the hinge jamb. Push the strike jamb **[N]** tightly against the top and bottom fillers. With the hinge jamb **[L]** plumb and both fillers **[P]** tight between the two door jambs, the strike jamb also will be plumb and parallel to the hinge jamb. Attach the strike jamb to its post with three screws in the same manner as you did the hinge jamb.

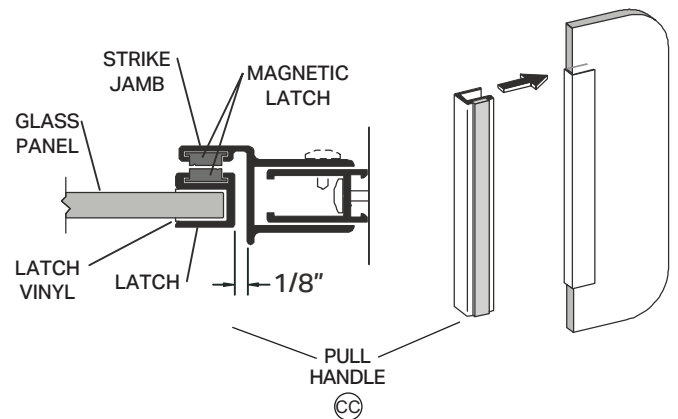


13

Slide the door pull handle **[CC]** with magnet onto the strike edge of the door panel. Close the door and slide the handle up or down until the two magnetic are aligned. Use a pencil or masking tape to mark the location of the handle on the door.

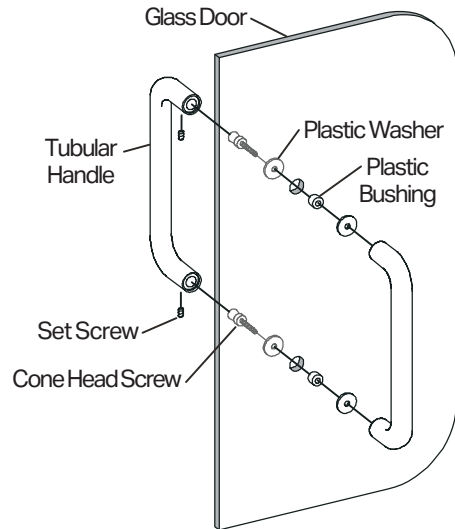
Slip the door handle vinyl **[DD]** onto the door between the marks and carefully tap the door handle onto the door panel using a rubber mallet. Spraying glass cleaner or water onto the vinyl will make assembly easier.

Close the door and check for proper operation of the magnetic catch.



13

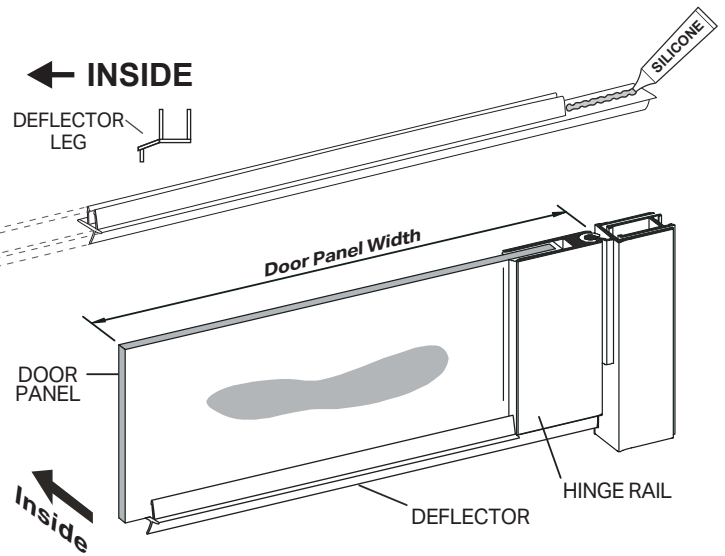
Locate the handle [CC] that has no Set Screws. Place a Plastic Bushing in the top handle hole then place a Plastic Washer against the glass. Place the handle without Set Screws against the Plastic Washer and insert the threaded end of the Cone Head Screw through the bushing into the threaded insert in the end of the handle and tighten. Repeat the procedure for the bottom hole. Place Plastic Washers against the opposite side of the glass and press the remaining handle over the end of the Cone Head Screw. While holding the handles firmly against the glass tighten the Set Screws.



14

Determine the desired handing of the deflector [V]. The deflector leg must go to the inside of the unit and the notch fits under the hinge rail as shown in the drawing at right. To determine the door panel width measure the distance from the edge of the hinge rail to the far edge of the glass door panel. The deflector should be cut to Door Panel Width - 7/16". Press the deflector firmly on the bottom edge of the glass as shown.

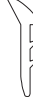



Apply a small bead of silicone to the notch that goes under the hinge rail.

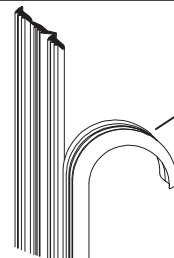


15

Inspect the pieces of black glazing vinyl, and note the two different profiles. The smaller shape [JJ] is installed vertically and the larger shape [KK] is installed horizontally. For structural strength and maximum water resistance, these vinyls are designed to fit tightly between the glass and framing. To speed installation, use glass cleaner for lubrication and a small block of wood to press the vinyl into place.

NOTE: These glazing vinyls have been pre-lubricated with a water-based silicone compound. Wash hands thoroughly after glazing and avoid contact with eyes or mouth.

FIXED GLASS PANEL	VERTICAL	HORIZONTAL
1/4" GLASS REQUIRES:	V-219 	V-220 
3/16" GLASS REQUIRES:	V-226 NOTCH 	V-225 NOTCH 



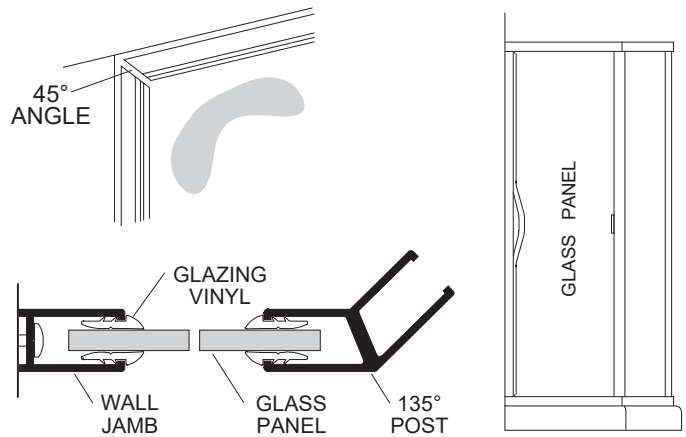
STANDARD SIZES SHIPPED WITH 4 PIECE VINYL (TEAR APART)

16

Cut eight pieces of the smaller vinyl [JJ] 1" longer than the vertical opening (to prevent gapping from shrinkage) and trim the ends on a 45° angle. Using the masking tape guides, center the first glass panel [J] in the frame. Cut four short (1" - 2") pieces of the small vinyl and press into the jamb and post on each side to hold the glass temporarily.

Take one of the long pieces of vinyl, and starting on the outside exterior jamb, press each end into the frame and work toward the middle. Be careful not to stretch the vinyl. Install the other three pieces in a similar fashion.

Repeat for the second glass panel.

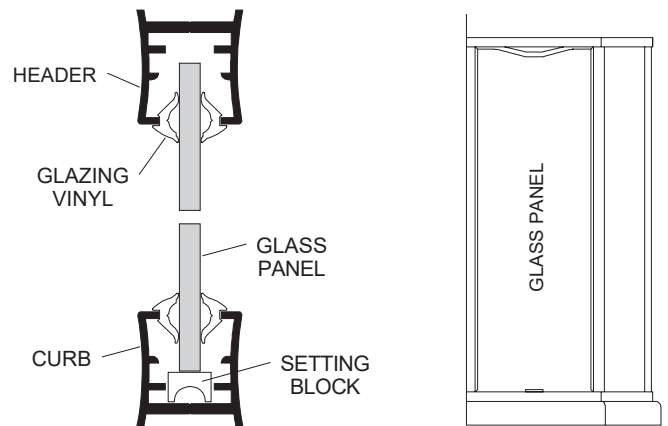


17

Cut eight pieces of the larger vinyl [KK] 1/2" longer than the horizontal opening and trim the ends on a 45° angle. Install the top exterior vinyl starting at both ends and working toward the middle. Be careful not to stretch the vinyl.

Install the top interior vinyl and the two bottom vinyls in the same way.

Repeat for the second glass panel.



18

To apply the cleanest bead of silicone, use the yellow masking tape to tape along the seams (Glass-to-Channel and Channel-to-Onyx.) Silicone the Fixed Glass Panel (Glass-to-Channel and Channel-to-Onyx.)

NOTE: The caulking should be allowed to cure for twenty four hours before using your new shower enclosure.

