



# INSTALLATION INSTRUCTIONS

105 Broadway St. Belvue, KS 66407  
Phone: 800-669-9867 Fax: 800-393-6699  
www.onyxcollection.com

 **ALUMAX**  
BATH ENCLOSURES  
by Sapa  
800-643-1514  
www.alumaxshowerdoor.com



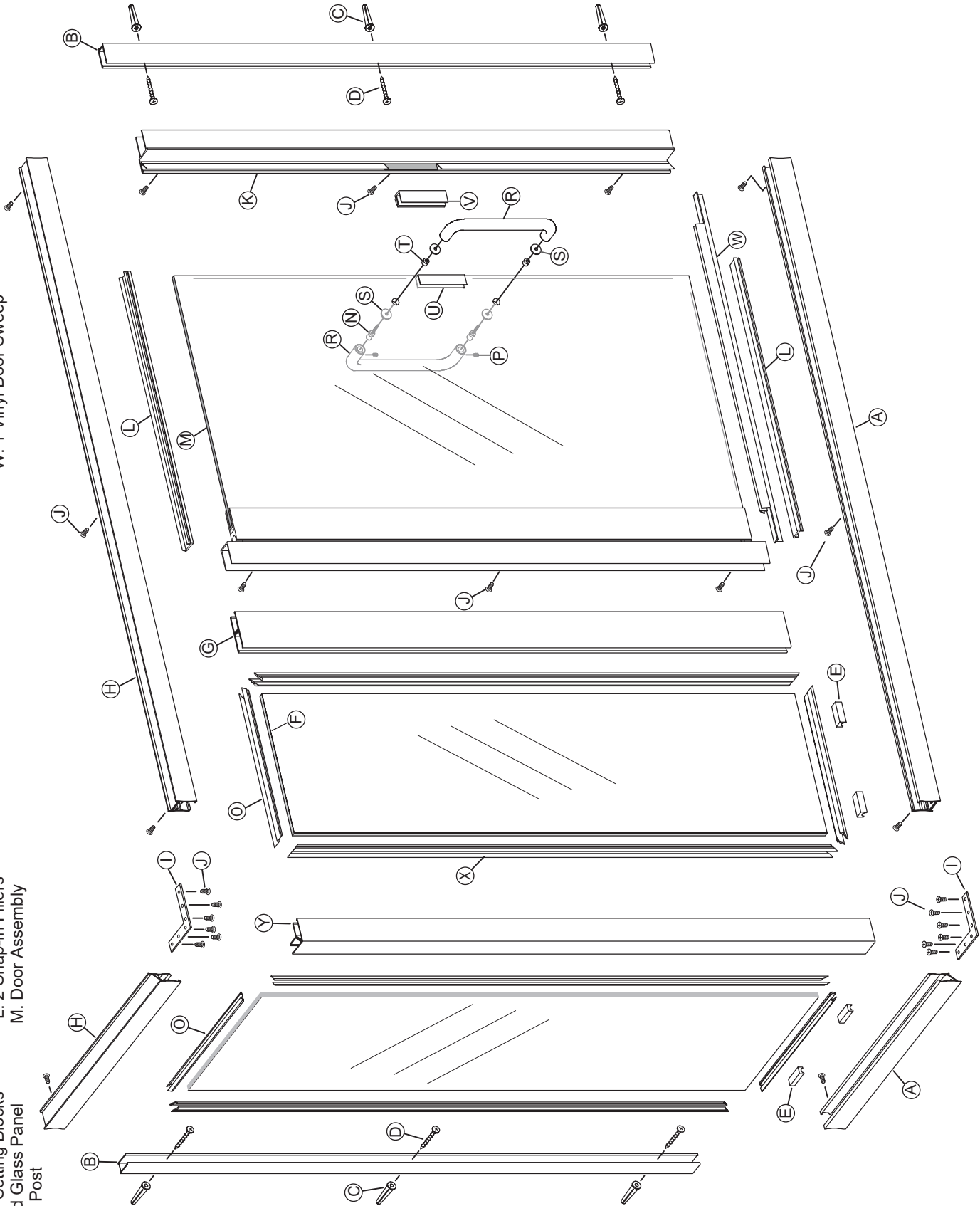
## Semi-Frameless Hinged Door With Panel And Return



Full Showers  
with Return

# PARTS LIST

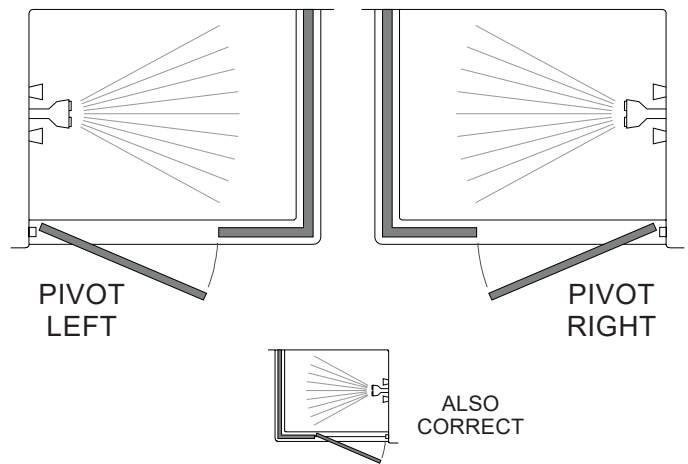
- A. 1 Curb (with weep holes)
- B. 2 Wall Jamb
- C. 8 #1/4" Plastic Wall Anchors
- D. #8 x 2" Truss Head Screw
- E. 2 Grey Setting Blocks
- F. 1 Fixed Glass Panel
- G. 1 180° Post
- H. 1 Header
- I. 2 90° Anchor Plates
- J. # 6 x 3/8" Truss Head Screws
- K. 1 Strike Assembly
- L. 2 Snap-in Fillers
- M. Door Assembly
- N. 2 Cone Head Bolts
- O. 8 Pcs. Horizontal Glazing Vinyl
- P. 2 Set Screws
- R. 2 Tubular Handles
- S. 4 Plastic Washers
- T. 2 Plastic Bushings
- U. 1 Handle Vinyl
- V. 1 Magnet Catch
- W. 1 Vinyl Door Sweep
- X. 8 Pcs. Vert. Glazing Vinyl
- Y. 90° Buttress Post



# 1

The shower door is completely reversible and can be installed hinge-left or hinge right. The door may hinge off the wall or the center post. For maximum waterproofing, the hinge should be opposite of the shower head. Using the illustration determine the best position for your particular situation.

CAUTION: Door must swing out for safety reasons

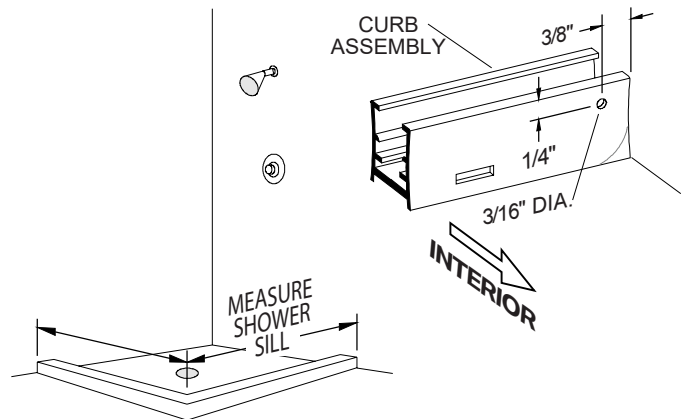


# 2

In most cases, the curb track will be assembled and sized to fit your shower base. It may be necessary to "round" out the bottom corners of the curb track so that it will sit flush on the threshold.

Using a 1/8" drill bit (provided), drill the interior face of the curb on both ends as shown in the illustration.

Place the curb (A) on the threshold so the weep holes are facing into the shower. Mark with a pencil where the curb is resting on the threshold on both sides of the curb. Use painters tape to hold curb in place for now.

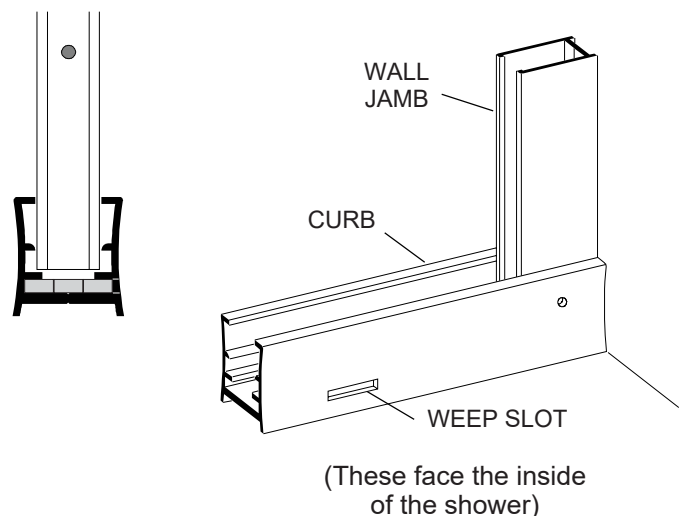


# 3

Place wall jambs (B) into both ends of the curb (A). Plumb the jambs and mark hole locations on the wall. Remove wall jambs and also the curb track.

Drill 5/16" holes through the ONYX wall panels or tile and insert 1/4" anchors ( C ) (if there is wood backing in the wall, no anchors are necessary).

Clean the debris off of the threshold.



# 4

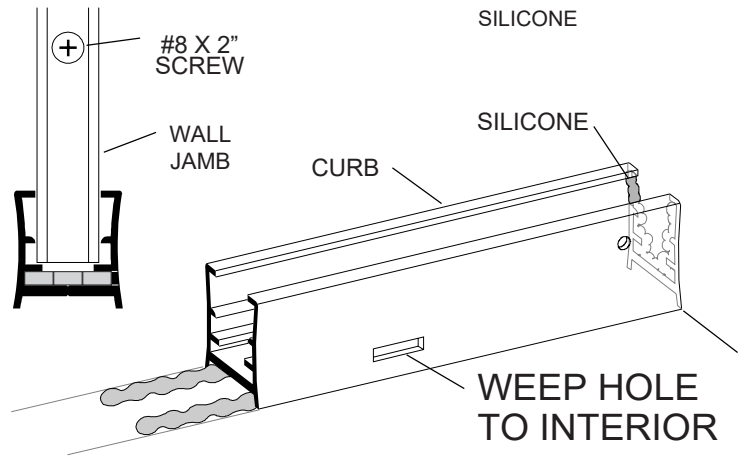
Apply a bead of silicone along the inside both of the pencil lines made on step 2.

Silicone both ends of the curb (A) (be very generous with the silicone at the ends of the track). Carefully place curb down onto the threshold so it is resting on the silicone between the pencil lines.

Once the curb track is in place, add more silicone to the inside of the curb track at the ends (very important).

Insert the wall jambs (B) into the curb track and then attach the wall jambs, using the #8x2" truss head screws (D).

**BE SURE THE SHOWER IS PROPERLY SILICONED BEFORE INSTALLING THE DOOR**



# 5

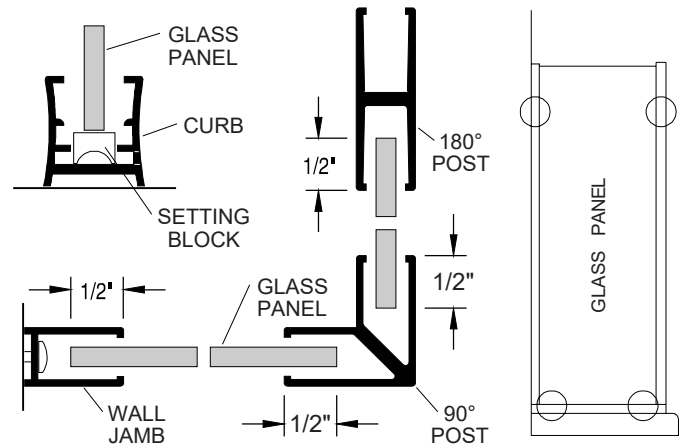
Place the grey setting blocks (E) into the curb (A) to support the glass side panel (F). Position the block so they are about 3" from the corner of the glass.

Place glass side panel (F) onto setting blocks and slide glass panel into the wall jamb (B) about 1/2" using strip of painters tape 1/2" from the edge of the glass will help with alignment).

Press the 90° post into the curb and slide it over the edge of the glass about 1/2". Plumb post laterally.

Use the 4 short temporary vertical vinyls to help hold glass and tracking in place.

NOTE: Obscure glass should be installed with textured side out!

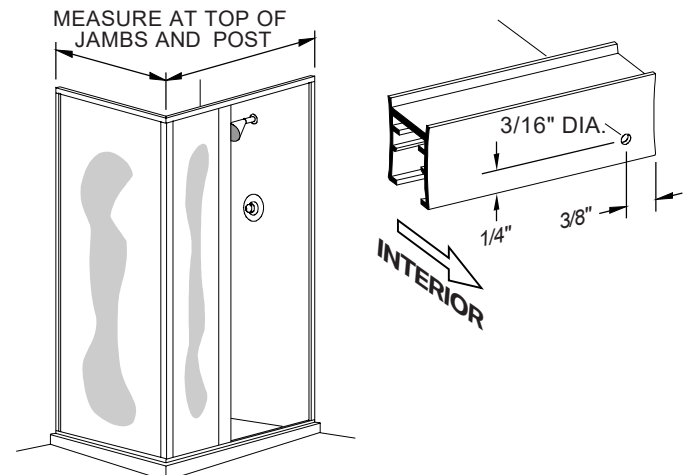


NOTE: To accommodate out of plumb walls, the 1/2" overlap may be adjusted from 1/4" to 3/4"

# 6

Hold the 90° post plumb and carefully measure horizontally from the shower wall to the outside edge of the 90° post. Add 3/16" to each measurement to find the corresponding dimension on the header assembly (from the outside mitered corner edge to the squared wall end). Mark the ends of the header track and cut.

Using a 3/16" drill bit, drill the interior face of the header assembly on both ends as shown to prepare for a later step.



# 7

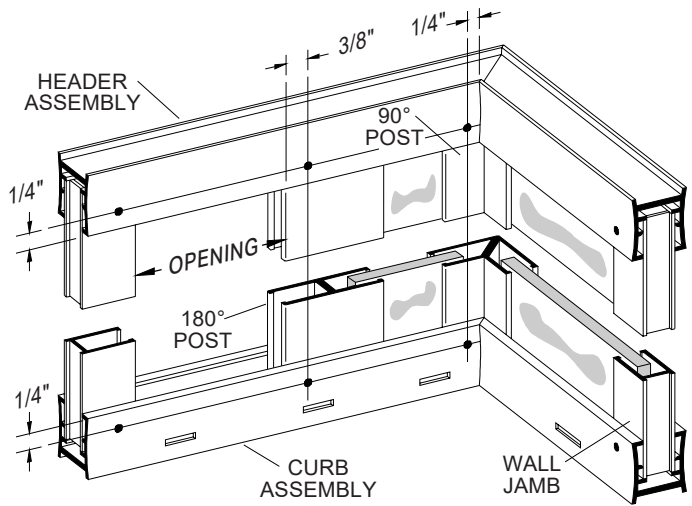
Press header (H) over the wall jambs (B), the 180° post, (G) and the 90° post (Y).

Using the holes in the header (H) and curb (A) as a guide, drill four 1/8" holes into the wall jambs (B), be careful not to drill into the glass.

Drill an 1/8" hole thru the header (H) and the curb (A) into the 180° post (G) and also the 90° post (Y).

Note: The "door opening" measurement (normally between the wall jamb and the 180° post) must be between 7/8" and 1 3/4" wider than the "Door Panel Width" (see illustration below in step #8).

Secure the header and curb to the wall jambs, the 180° post, and the 90° post using the #6 x 3/8" truss head screws (J).

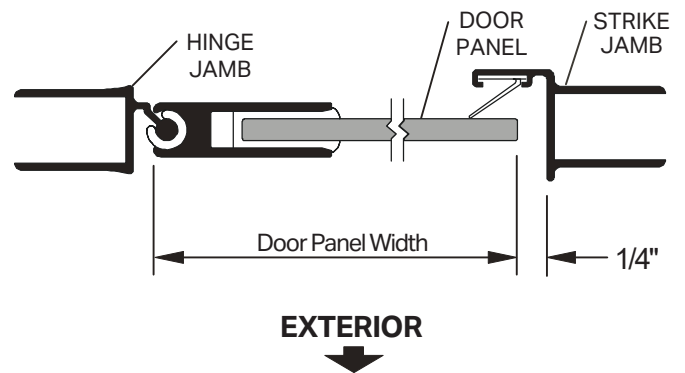


# 8

Press the door assembly (M) and strike assembly (K) over the wall jamb (B) and 180° post (G) (or appropriate post).

Please remember that tempered glass must be handled with care, keeping the edges of the glass from hitting hard surfaces.

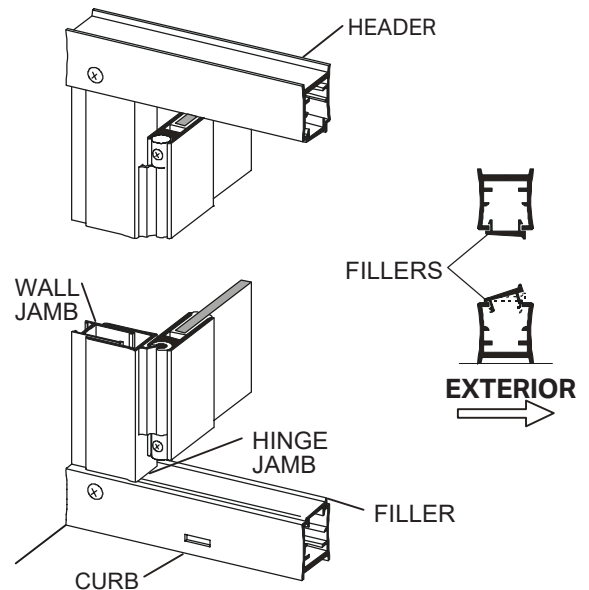
Use painters tape to hold door assembly and strike assembly in place for now, as needed



# 9

The snap-in fillers should be 7/16" longer than the door panel width.

Snap into place the snap-in fillers so that the edge of the snap-in fillers is to the outside of the door (door will leak if this is not done) and is centered between the strike assembly and door assembly.

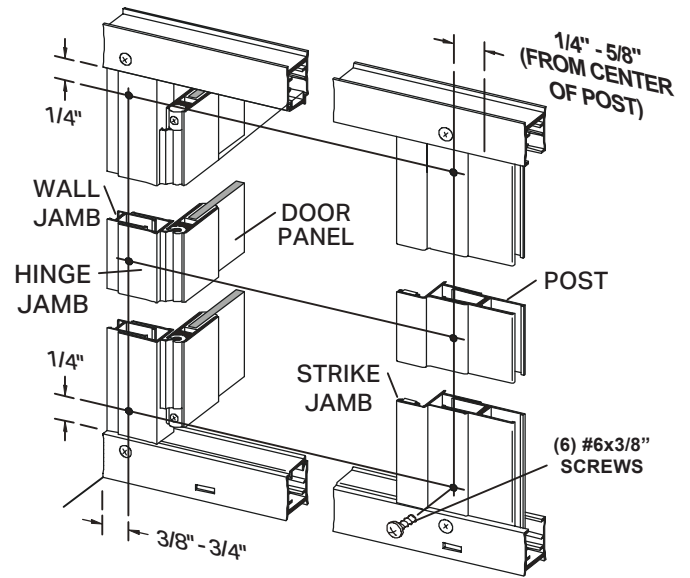


# 10

Remove tape and plumb door assembly laterally, then drill two 1/8" holes about 1/4" vertically from the header (H) and curb (A). Then screw the hinge jamb into place using two #6 x 3/8" truss head screws.

Slide snap-in fillers (L) over to the hinge jamb so that it is flush against it. Then slide the strike assembly (K) over so that it is flush against the snap-in fillers (L) and drill two 1/8" holes and screw into place.

NOTE: There should be a 1/4" gap from the edge of the glass the inside face of the strike assembly (see illustration in step 11).

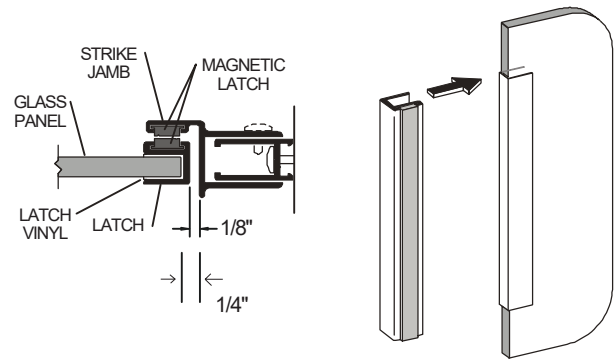


# 11

Slide magnet catch (V) over the edge of the glass and line up magnets then mark with tape the location on the glass where it should be.

Remove magnet catch (V). Wrap latch vinyl around the edge of the glass where the magnet catch will go.

Slide magnet catch (V) over the vinyl ( use a rubber mallet to pound the magnet catch on ).



# 12

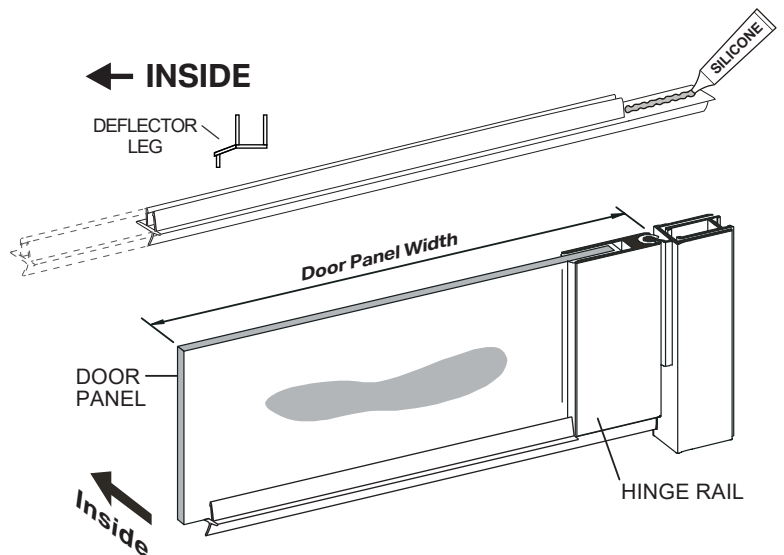
Determine which side of the sweep needs to be trimmed so that the deflector leg is to the inside of the shower.

The sweep should be cut to DOOR PANEL WIDTH - 7/16". It is recommended to leave the lower part of the sweep attached to extend all the way to the edge of the glass.

Slide sweep onto the bottom of the glass so that the deflector leg is to the inside of the shower.

Apply a small bead of silicone to the notch that goes under the hinge rail.

NOTE: The sweep can be adjusted up and down and silicone can be used to help hold sweep on.



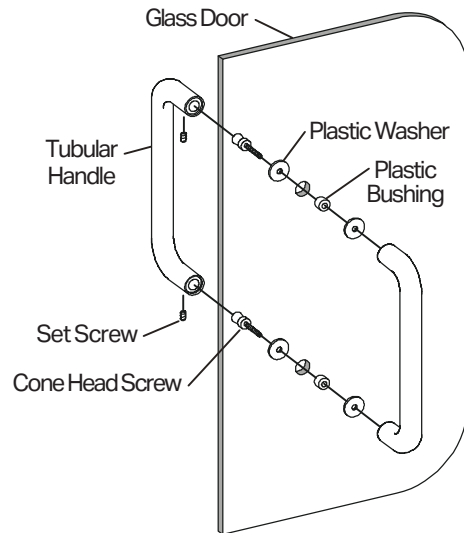
# 13

Loosen set screws using a small allen wrench (BE CAREFUL NOT TO UNSCREW ALL THE WAY!). Separate the handle and unscrew the cone head screws.

Place one plastic washer and one plastic bushing onto the cone head screw, slide screw through the top hole in the glass door, next place one plastic washer onto the screw then attach handle (do not tighten all the way).

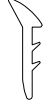

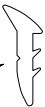

Repeat above step for bottom hole then tighten all the way.

Slide handle over cone head screw then tighten set screws using the allen wrench.

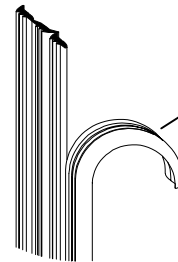


# 14

Inspect the pieces of black glazing vinyl, and note the two different profiles. The smaller shape (X) is installed vertically and the larger shape (O) is installed horizontally. For structural strength and maximum water resistance, these vinyls are designed to fit tightly between the glass and framing. To speed installation, use glass cleaner or soapy water for lubrication.

FIXED GLASS PANEL	VERTICAL	HORIZONTAL
1/4" GLASS REQUIRES:	V-219 	V-220 
3/16" GLASS REQUIRES:	V-226 NOTCH 	V-225 NOTCH 

NOTE: These glazing vinyls have been prelubricated with a water-based silicone compound. Wash hands thoroughly after glazing and avoid contact with eyes or mouth.



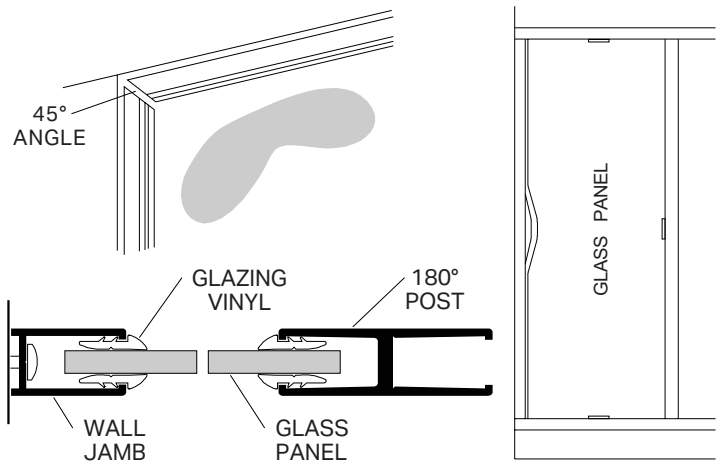
STANDARD SIZES SHIPPED WITH 4 PIECE VINYL (TEAR APART)

# 15

Cut the four vert. vinyls (X) 1" longer than the opening and trim the ends at a 45° angle as shown.

Take one of the vert. vinyls (X) and, starting on the outside jamb, press each end into the frame and work toward the middle. Do not stretch the vinyl.

Install the other three pieces the same way.

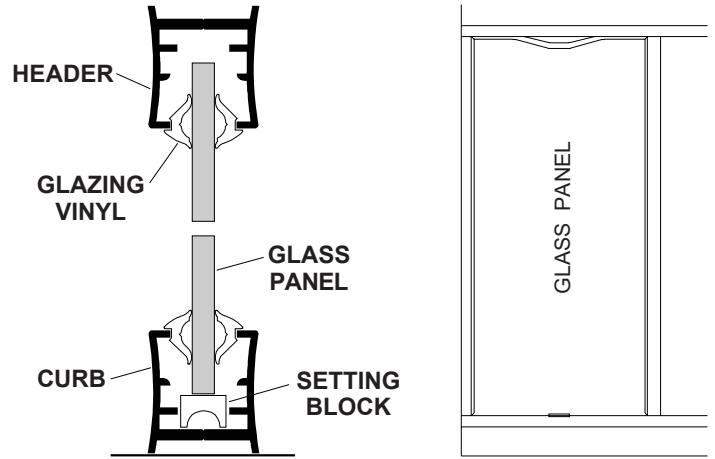


# 16

\* Cut four of horizontal glazing vinyls 1/2" longer than opening and trim the ends at a 45° angle.

\* Start with the top exterior by pressing in the corners of the horizontal glazing vinyl into place then work toward the middle. Do not stretch the vinyl.

\* Install the other vinyls the same way.



# 17

To apply the cleanest bead of silicone, use the yellow masking tape to tape along the seams (Glass-to-Channel and Channel-to-Onyx.) Silicone the Fixed Glass Panel (Glass-to-Channel and Channel-to-Onyx.)

NOTE: The caulking should be allowed to cure for twenty four hours before using your new shower enclosure.

