



INSTALLATION INSTRUCTIONS

105 Broadway St. Belvue, KS 66407
Phone: 800-669-9867 Fax: 800-393-6699
www.onyxcollection.com

 **ALUMAX**
BATH ENCLOSURES
by Sapa
800-643-1514
www.alumaxshowerdoor.com

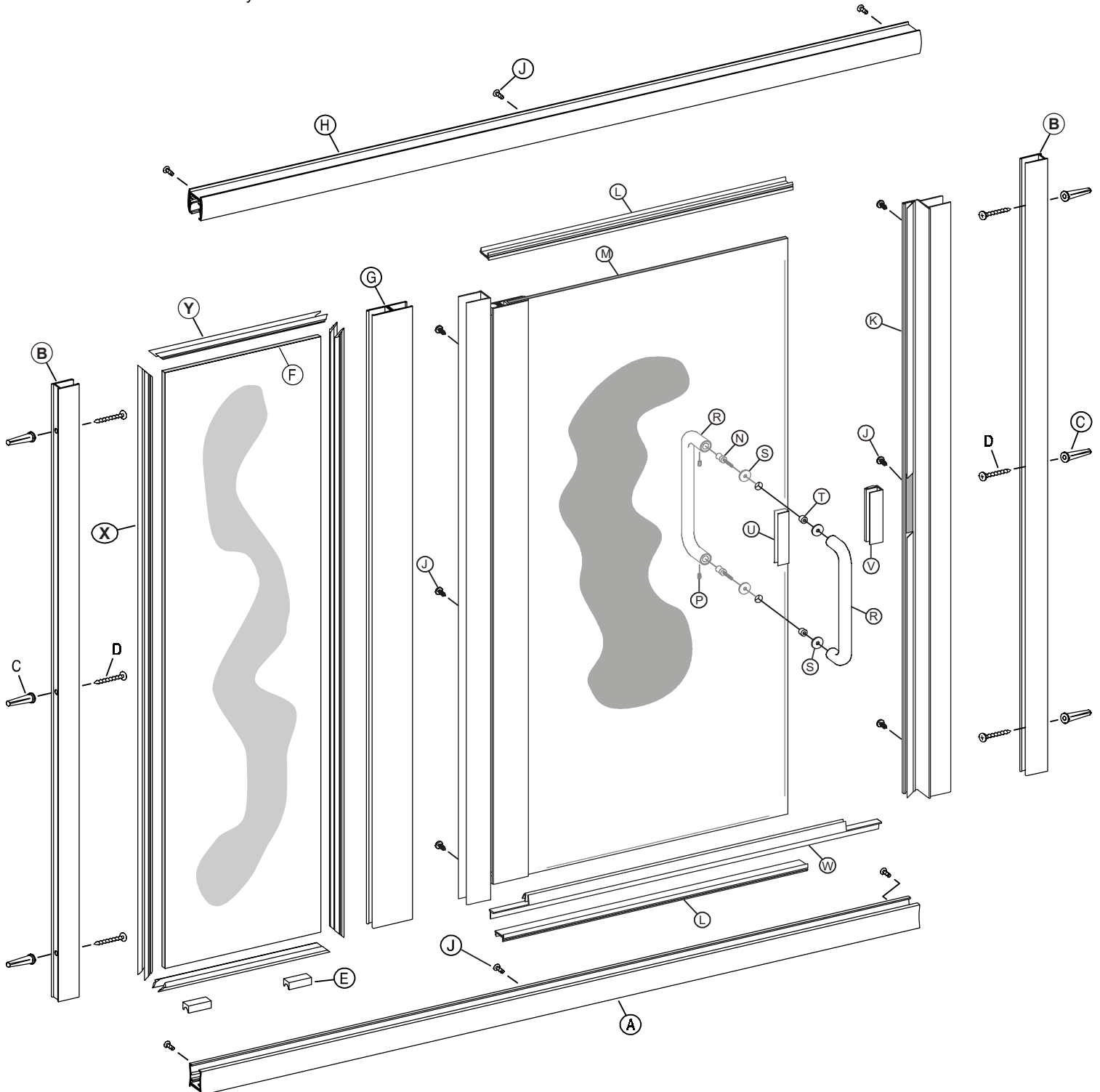


391CV Series

Semi-Frameless Hinged Door With Panel

PARTS LIST

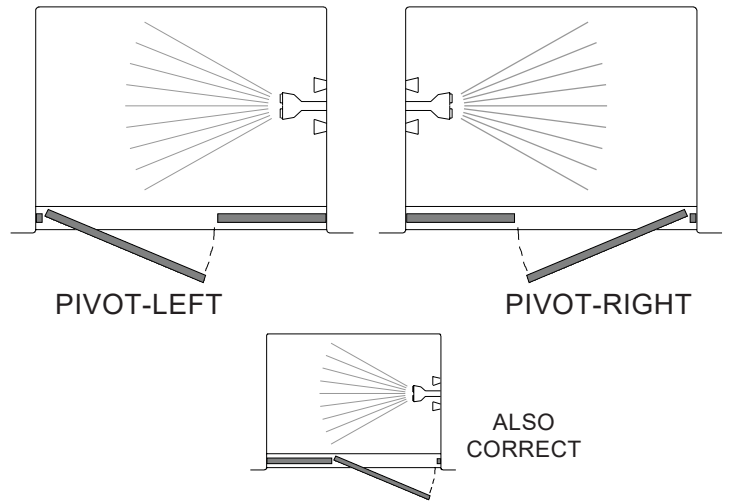
- | | |
|-----------------------------------|--------------------------------|
| A. 1 Curb (with weep slots) | N. 2 Cone Head Bolts |
| B. 2 Wall Jambs | P. 2 Set Screws |
| C. 8 1/4" Plastic Wall Anchors | R. 2 Tubular Handles |
| D. 8 #8 x 2" Truss Head Screws | S. 4 Plastic Washers |
| E. 2 Grey Setting Blocks | T. 2 Plastic Bushings |
| F. 1 Fixed Glass Panel | U. 1 Handle Vinyl |
| G. 1 180° Post | V. 1 Magnet Catch |
| H. 1 Header | W. 1 Vinyl Door Sweep |
| J. 10 #6 x 3/8" Truss Head Screws | X. 4 Pcs. Vert. Glazing Vinyl |
| K. 1 Strike Assembly | Y. 4 Pcs. Horiz. Glazing Vinyl |
| L. 2 Snap-in Fillers | |
| M. Door Assembly | |



1

The shower door is completely reversible and can be installed hinge-left or hinge right. The door may hinge off the center post. For maximum waterproofing the hinge should be opposite of the shower head. Using the illustration determine the best position for your particular situation.

CAUTION: Door must swing out for safety reasons

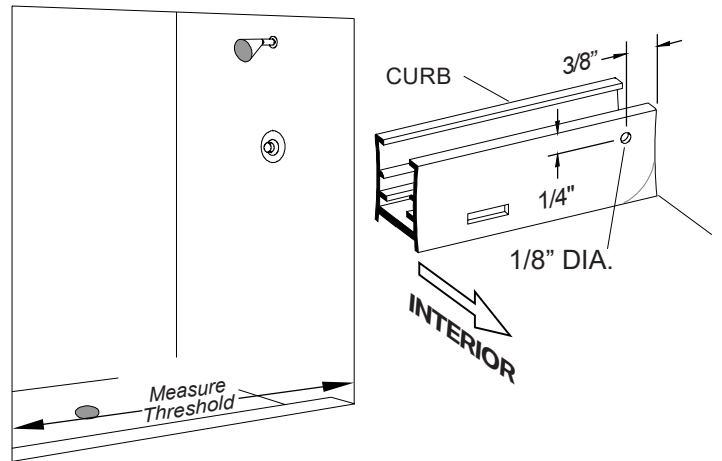


2

* Measure the finished opening at the threshold, then cut the curb (A) to fit the width of the threshold. It may be necessary to round out the bottom corners so the curb sits flush on the threshold.

* Using a 1/8" drill bit, drill the interior face of the curb on both ends as shown in the illustration.

* Place the curb (A) on the threshold so the weep holes are facing into the shower. Mark with a pencil where the curb is resting on the threshold on both sides of the curb. Use painters tape to hold curb in place for now.



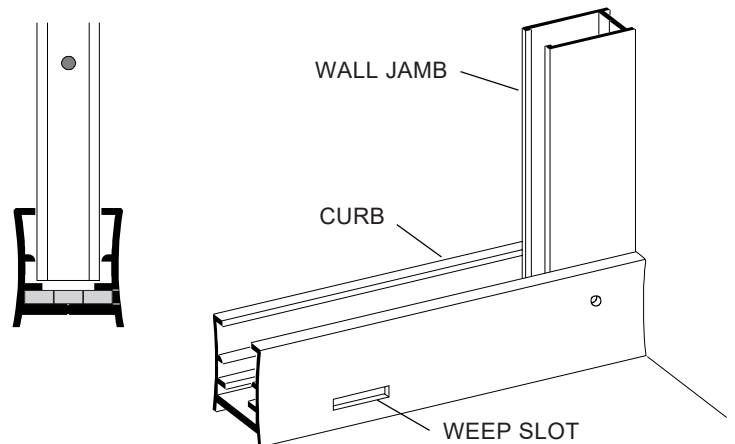
3

* Place wall jambs (B) into both ends of the curb (A). Plumb the jambs and mark hole locations on the wall. Remove wall jambs and also the curb track.

* Drill 5/16" holes through the tile or ONYX and insert 1/4" anchors (C).

NOTE: If wood backing is used, no anchors are required.

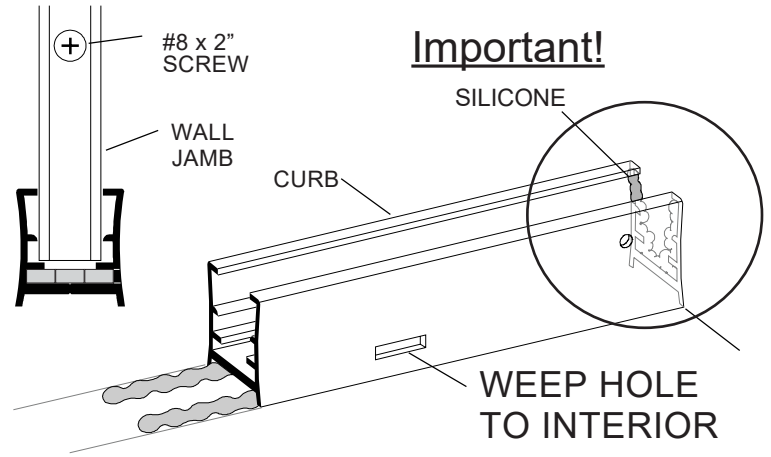
* Clean the debris off of the threshold.



4

- * Apply a bead of silicone along the inside both of the pencil lines.
- * Silicone both ends of the curb (A). Carefully place curb down onto the threshold so it is resting on the pencil lines.
- * Add more silicone to the inside of the curb track at the ends - **Very Important!**
- * Replace wall jambs (B) and screw into place using 6 #8x2" truss head screws (D).

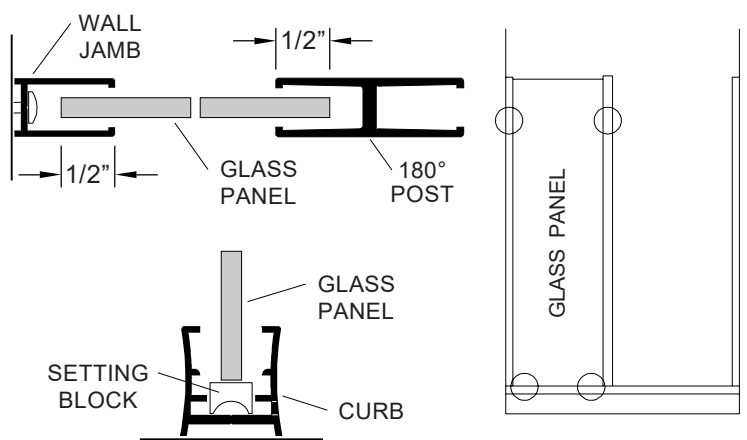
BE SURE THE SHOWER IS PROPERLY SILICONED BEFORE INSTALLING THE DOOR



5

- * Place the grey setting blocks (E) into the curb (A) to support the glass side panel (F). Position the block so they are about 3" from the corner of the glass.
- * Place glass side panel (F) onto setting blocks and slide glass panel into the wall jamb (B) about 1/2" (Using a strip of painters tape 1/2" from the edge of the glass will help with alignment).
- * Press the 180° post into the curb and slide it over the edge of the glass about 1/2". Plumb post laterally.
- * Use the 4 short temp. vert. vinyls to help hold glass and tracking in place.

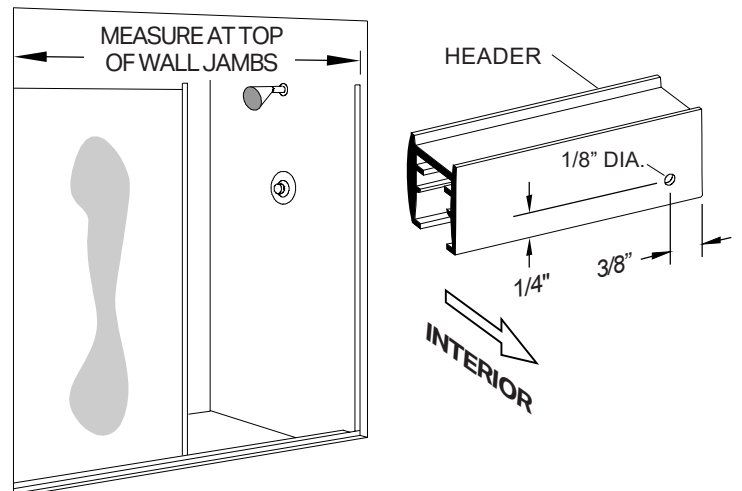
NOTE: Obscure glass should be installed with textured side out!



NOTE: To accommodate out of plumb walls, the 1/2" overlap may be adjusted 1/4" to 3/4"

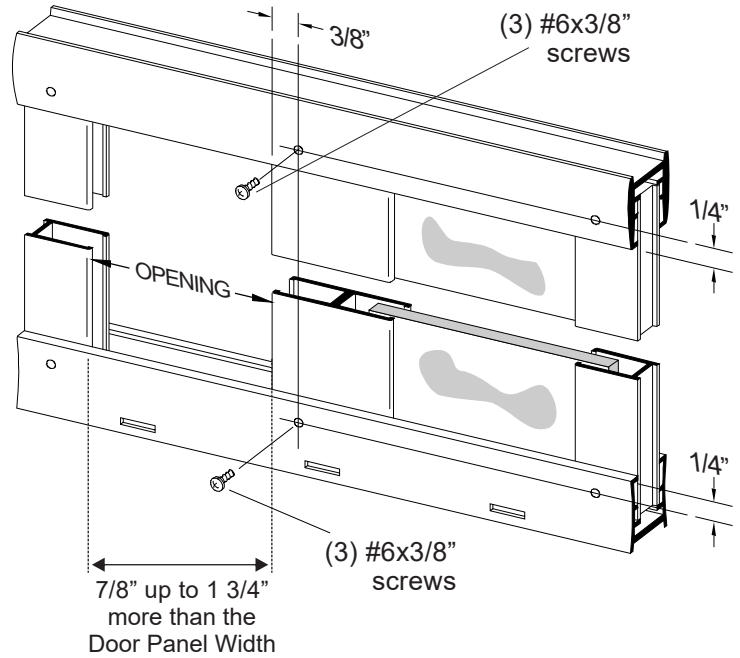
6

- * Measure the finished wall-to-wall opening at the top of the wall jambs(B) then cut the header (H) to size.
- * Using a 1/8" drill bit, drill the interior face of the header (H) on both ends as seen in picture.



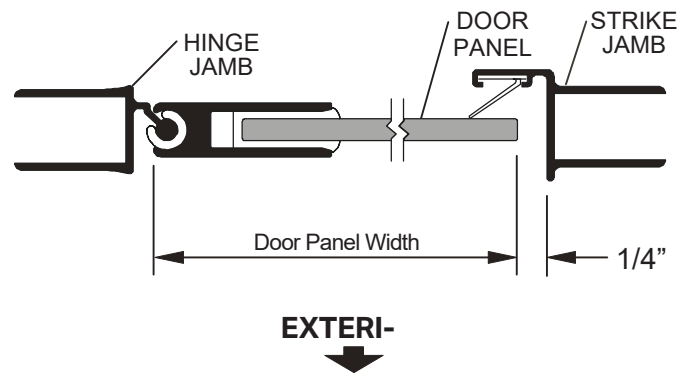
7

- * Press header (H) over the wall jambs (B) and the 180° post (G).
- * Using the holes at the ends of the header (H) and curb (A) as a guide, drill 1/8" holes into the wall jambs (B) to prepare for the truss head screws. Be careful not to drill into the glass.
- * The 180° post will need to be positioned in such a way that the "Opening" measurement between the wall jamb and the 180° post is between 7/8" and 1 3/4" wider than the "Door Panel Width" (see illustration below in step #8). Position the 180° post and make it plumb. Drill a 1/8" hole through the header (H) and an 1/8" hole through 180° post. Drill an 1/8" hole through the curb (A) and also through 180° post. Secure the 180° post to the header with
- * Using the #6 x 3/8" truss head screws (J) for the header track. For the curb tack, secure the header and curb tracks to the wall jambs and 180° post (G).



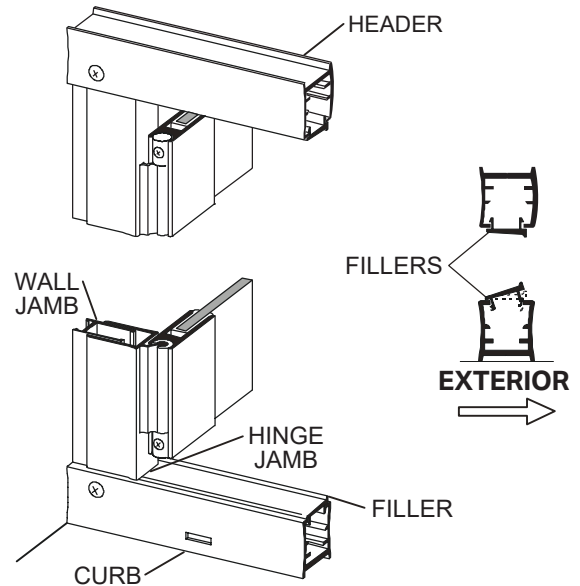
8

- * Press the door assembly (M) and strike assembly (K) over the wall jamb (B) and 180° post (G). (Please refer back to step one for proper handing of the door.)
- * Use painters tape to hold door assembly and strike assembly in place for now.



9

- * The snap-in fillers should be 7/16" longer than the door panel width.
- * Snap into place the snap-in fillers so that the edge of the snap-in fillers is to the outside of the door (door will leak if this is not done) and is centered between the strike assembly and door assembly.



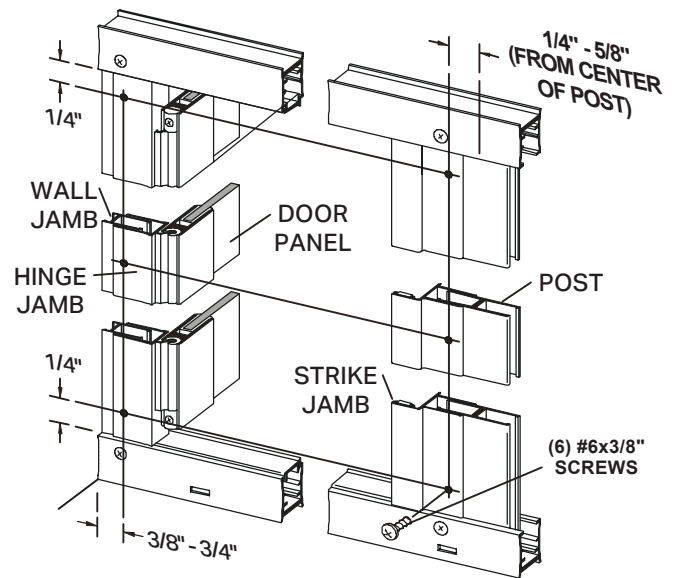
10

* Remove tape and plumb door assembly laterally, then drill two 1/8" holes about 1/4" vertically from the header (H) and curb (A). Then screw into place using 2 #6 x 3/8" truss head screws.

* Slide snap-in fillers (L) over to the hinge jamb so that it is flush against it. Then slide the strike assembly (K) over so that it is flush against the snap-in fillers (L) and drill 2 1/8" holes and screw into place.

* Drill two 1/8" holes centered vertically into the hinge jamb and strike assembly (K), then screw into place.

NOTE: There should be a 1/4" gap from the edge of the glass the inside face of the strike assembly see step 8 illustration as a reference.

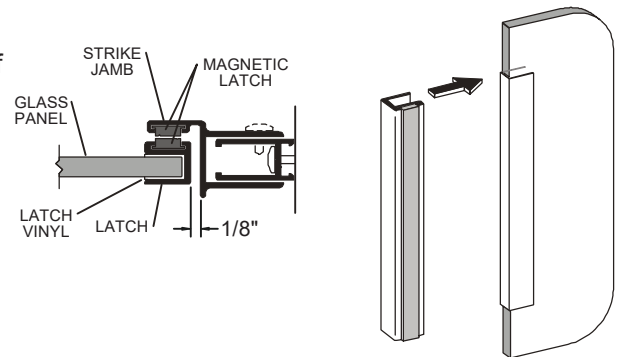


11

* Slide magnet catch (V) over the edge of the glass and line up magnets then mark with tape the location on the glass where it should be.

* Remove magnet catch (V). Wrap latch vinyl around the edge of the glass where the magnet catch will go.

* Slide magnet catch (V) over the vinyl (use a rubber mallet to pound the magnet catch on).



12

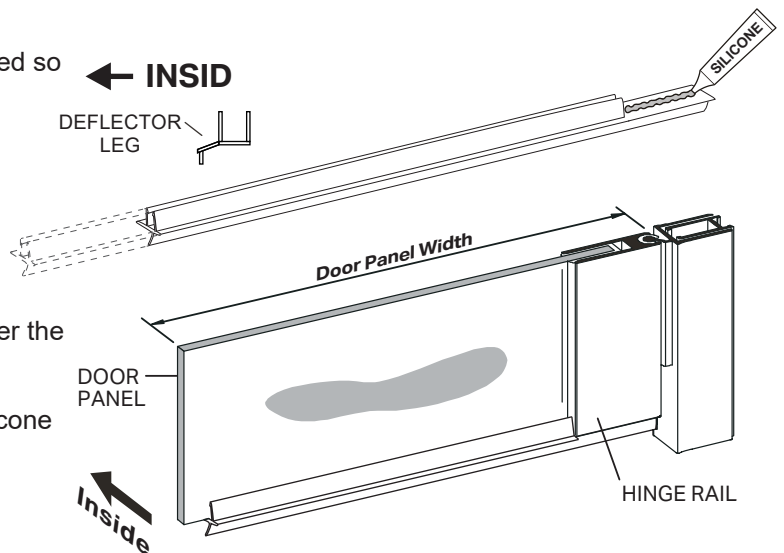
* Determine which side of the sweep needs to be trimmed so that the deflector leg is to the inside of the shower.

* The sweep should be cut to DOOR PANEL WIDTH - 7/16".

* Slide sweep onto the bottom of the glass so that the deflector leg is to the inside of the shower.

Apply a small bead of silicone to the notch that goes under the hinge rail.

NOTE: The sweep can be adjusted up and down and silicone can be used if necessary to help hold sweep on.



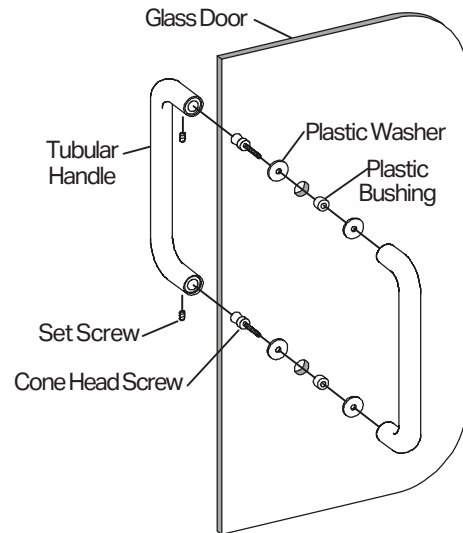
13

* Loosen set screws using a small allen wrench (BE CAREFUL NOT TO UNSCREW ALL THE WAY!), then remove handle and unscrew cone head screws.

* Place one plastic washer and one plastic bushing onto the cone head screw, slide screw through the top hole in the glass door, next place one plastic washer onto the screw then attach handle (do not tighten all the way).

* Re-peat above step for bottom hole then tighten all the way.

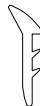

* Slide handle over cone head screw then tighten set screws using the allen wrench.

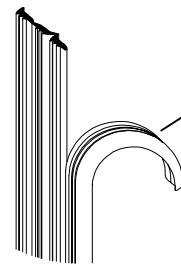


14

Inspect the pieces of black glazing vinyl, and note the two different profiles. The smaller shape (X) is installed vertically and the larger shape (Y) is installed horizontally. For structural strength and maximum water resistance, these vinyls are designed to fit tightly between the glass and framing. To speed installation, use glass cleaner for lubrication and a small block of wood to press the vinyl into place.

NOTE: These glazing vinyls have been prelubricated with a water-based silicone compound. Wash hands thoroughly after glazing and avoid contact with eyes or mouth.

FIXED GLASS PANEL	VERTICAL	HORIZONTAL
1/4" GLASS REQUIRES:	V-219 	V-220 



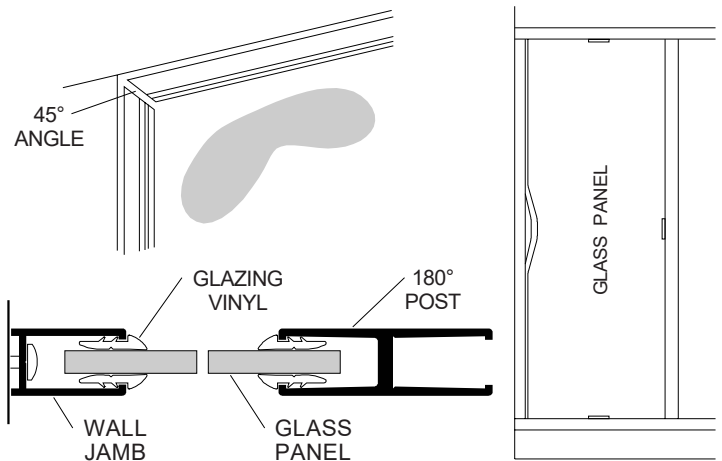
STANDARD SIZES SHIPPED WITH 4 PIECE VINYL (TEAR APART)

15

* Cut the four vert. vinyls (X) 1" longer than the opening and trim the ends at a 45° angle.

* Take one of the vert. vinyls (X) and starting on the outside exterior jamb, press each end into the vinyl and work toward the middle. Do not stretch the vinyl.

* Install the other three pieces the same way.

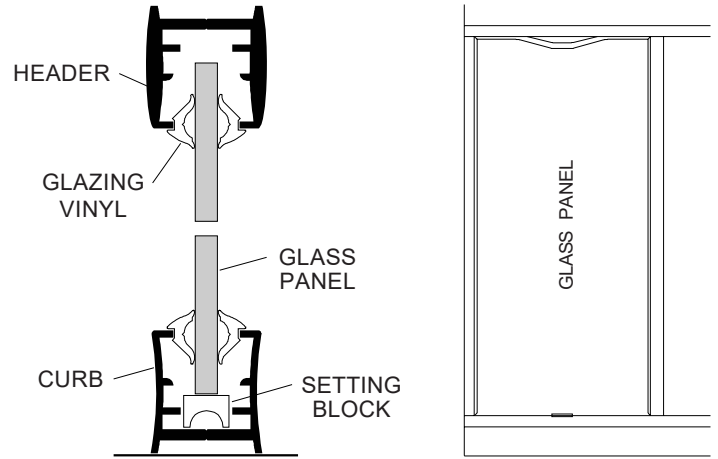


16

* Cut four of horiz. glazing vinyls 1/2" longer than opening and trim the ends at a 45° angle.

* Start with the top exterior by pressing in the corners of the horiz. glazing vinyl into place then work toward the middle. Do not stretch the vinyl.

* Install the other vinyls the same way.



17

To apply the cleanest bead of silicone, use the yellow masking tape to tape along the seams (Glass-to-Channel and Channel-to-Onyx.)
Silicone the Fixed Glass Panel (Glass-to-Channel and Channel-to-Onyx.)

NOTE: The caulking should be allowed to cure for twenty four hours before using your new shower enclosure.

