



INSTALLATION INSTRUCTIONS

105 Broadway St. Belvue, KS 66407
Phone: 800-669-9867 Fax: 800-393-6699
www.onyxcollection.com

 **ALUMAX**
BATH ENCLOSURES
by Sapa
800-643-1514
www.alumaxshowerdoor.com

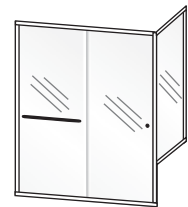


352D Series

ByPass Enclosure with Return



Showers with
full wall return



Showers with
half wall return

!WARNINGS!

INSTALLATION WARNINGS

- a) Alumax Bath Enclosures by Sapa are intended to be installed by an experienced installer. If you need assistance with locating an experienced installer, contact us at 1.800.643.1514 or go to our website www.alumaxshowerdoor.com to access our "dealer locator". If a dealer is not listed in your area, call or send us an e-mail and we will find one for you.
- b) The enclosure must be properly installed per our published installation instructions. If NOT, the unit will not operate as designed which will cause hardware failure, glass breakage, leaking, other unidentified issues, and may cause nullification of warranty.
- c) Unpack your unit carefully and inspect for freight damage. Lay out and identify all parts using the instruction sheets as a reference. Before discarding the carton, check for small hardware bags that tend to fall into the bottom of the box. If any parts are damaged or missing, refer to the descriptions noted in the instructions when contacting your dealer for replacements.
- d) Before beginning installation, check the tub rim for level and both walls for plumb. If either is off more than ¼" to 3/8", you should use a tapered filler which can be used to level the tub track or plumb the wall jams.
- e) Wear safety glasses when drilling or cutting to avoid injury to the eyes.
- f) When drilling holes in ceramic tile or marble, use a center punch and hammer to carefully break the surface glaze so the drill can start without skidding. A skidding drill can cause damage to the surface and can be dangerous (risk of personal injury).
- g) Use caution and proper technique whenever using tools to avoid damage to property and/or personal injury.

GENERAL USAGE AND HANDLING WARNINGS

- a) Shower doors are not leak-proof. They are designed to direct water to the interior of the tub or shower under normal conditions. Excessive water pressure or directing the shower head directly at the door can result in leaks.
- b) Do not hang on towel bars or handles or use them to support your weight getting in and out of the bathtub or shower. Towel bars and handles are not intended to be used as grab bars for assistance getting in and out of the shower or bathtub. They are not intended to support a person's weight and could break.
- c) Do not use excessive force when opening and closing the enclosure. Excessive force can lead to glass breakage or other damage to the enclosure. Make sure wall jamb bumpers are securely fastened in place per the installation instructions.

GLASS USAGE AND HANDLING WARNINGS

- a) TEMPERED GLASS CANNOT BE CUT. Attempting to cut tempered glass will result in the glass breaking or shattering.
- b) USE CAUTION WHEN HANDLING GLASS PANELS. Safety tempered glass is very resistant to breakage, but it can still break if unequal pressure is placed on it during installation (or if cutting of the glass is attempted). In addition, the sharp corners of the panels can damage tile and floor coverings or cause injury.
- c) PROTECT THE EDGES OF THE GLASS. Never let the edge of the glass come in direct contact with concrete, tile, marble or other hard surfaces that may nick, or damage the glass edge in any way as this damage may cause a delayed blow. Always check the edge of the glass for nicks, slivers, rough areas, or clam shelling. Do not install the glass if these conditions are present.
- d) Alumax Bath Enclosures by Sapa is not liable for glass breakage of any kind.

CARE AND CLEANING WARNINGS

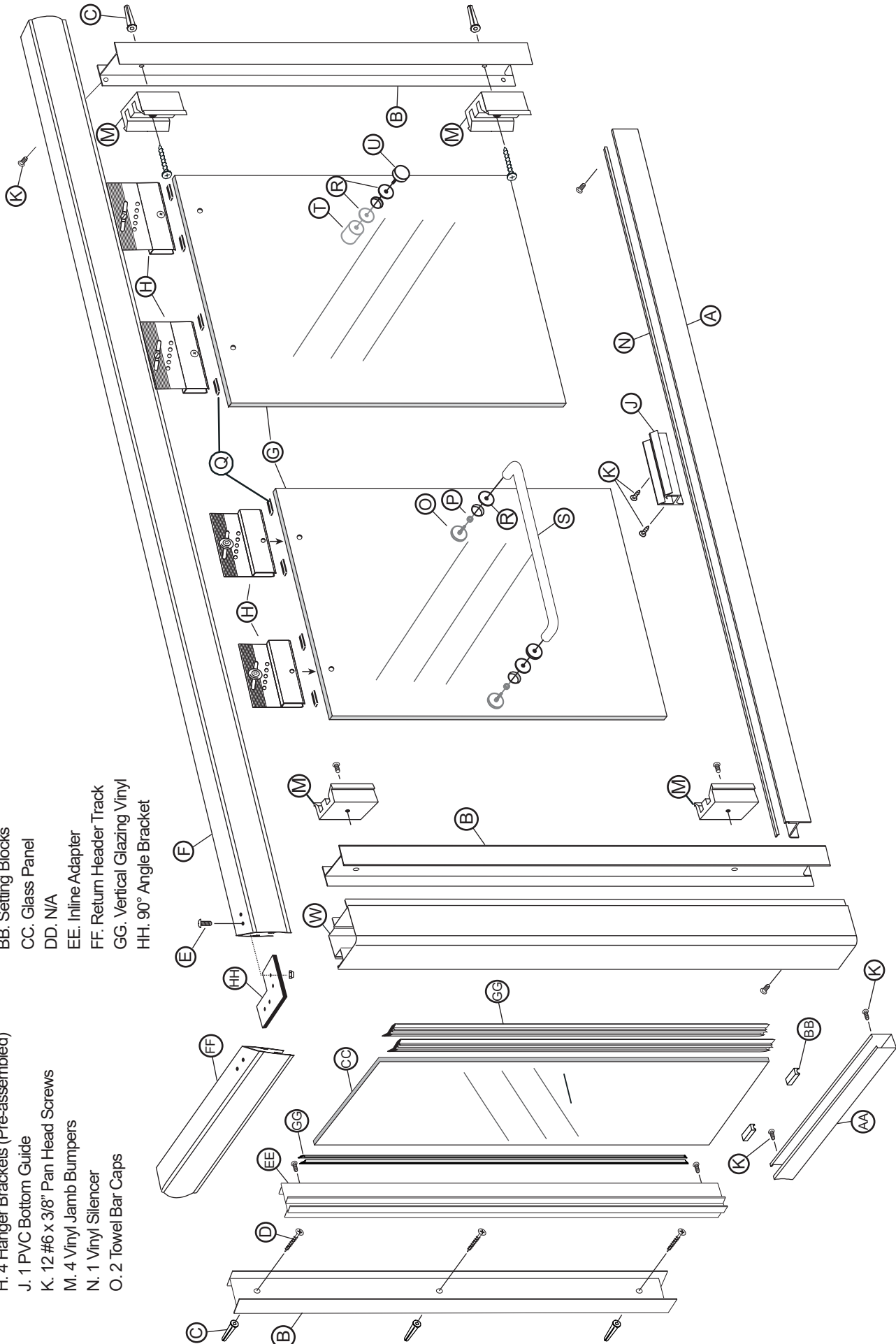
- a) The simplest and preferred method of cleaning your unit is by washing it with clean water and drying with a soft cloth.
- b) If soil is still present after drying, a non-abrasive cleanser with a pH of seven to eight may be used. Comet Bathroom Cleaner® has been tested and is recommended by the Bath Enclosure Manufacturers Association (BEMA).
- c) Contact your dealer for more information about glass coatings that will help keep the glass clean.
- d) DO NOT USE SCOURING PADS, SHARP INSTRUMENTS, BLEACH OR ACID-BASED CLEANSERS TO CLEAN THE UNIT AS THEY MAY DAMAGE THE UNIT.

LIMITED WARRANTY

- a) Alumax Bath Enclosures by Sapa provides a LIMITED WARRANTY on material and workmanship only. Primary glass and component suppliers must be included in all warranty claims.
- b) Alumax Bath Enclosures by Sapa is not responsible for glass breakage.
- c) Products must be handled, installed and maintained per our published Warning and Installation instructions or the warranty may be nullified.
- d) The Limited Warranty applies to the original owner only, and is not transferable.
- e) Please visit our website www.alumaxshowerdoor.com or call us at 1.800.643.1514 to get copies of our published warranty, installation and warranty policies.

340D-350D PARTS LIST

- A. 1 Curb Track with Vinyl
- B. 3 Wall Jamb
- C. 6 Plastic Wall Anchors
- D. 6 #8 x 2" Truss Head Screws
- E. 4 Pan Head Screws & Locking Nuts
- F. 1 Header
- G. 2 Glass Panels
- H. 4 Hanger Brackets (Pre-assembled)
- J. 1 PVC Bottom Guide
- K. 12 #6 x 3/8" Pan Head Screws
- M. 4 Vinyl Jamb Bumpers
- N. 1 Vinyl Silencer
- O. 2 Towel Bar Caps
- P. 2 Spacers
- Q. 1/16" spacer (if needed)
- R. 4 Plastic Washers
- S. 1 Towel Bar
- T. 1 Knob
- U. 1 Knob Cap
- V. 1 Knob Cap
- W. Corner Post
- AA. Return Butt Curb Track
- BB. Setting Blocks
- CC. Glass Panel
- DD. N/A
- EE. Inline Adapter
- FF. Return Header Track
- GG. Vertical Glazing Vinyl
- HH. 90° Angle Bracket



1

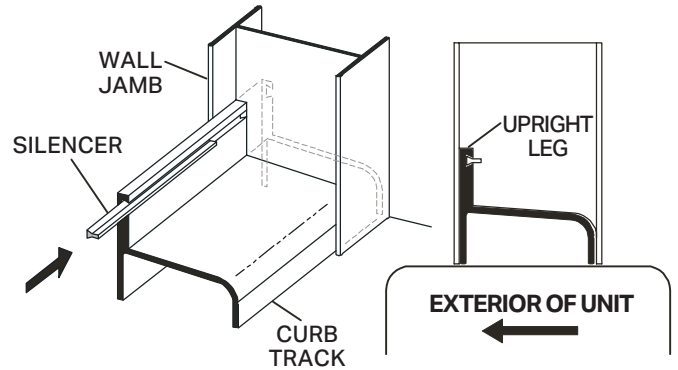
MEASURING CURB TRACK

Measure the wall-to-wall opening along the center of the threshold. Cut the curb track [A] 1/16" short of this dimension. An inexpensive miter box, available at your hardware store, will help you get clean square cuts.

If the vinyl silencer [N] is separate from the curb track [A], slide the silencer into the slot in the curb track.

Position the curb track in the center of the threshold with the tall leg to the exterior. It may be necessary to file a radius on the ends of the curb track and wall jambs to match the corners of the curb.

Press wall jamb [B] into position over the curb track. Masking tape can be used to hold parts in place temporarily.



2

ALIGNING VERTICAL CHANNELS

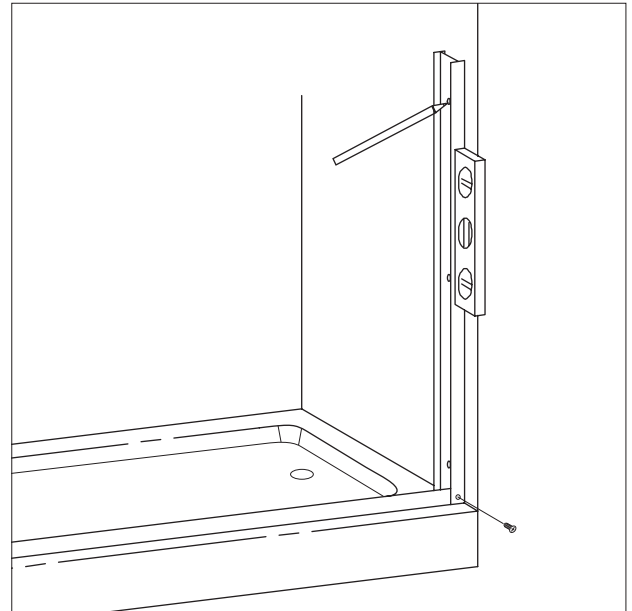
Use a level to plumb the wall jamb [B], then mark the predrilled hole locations on the wall. Lightly mark along both sides of the curb track [A] with a pencil, then remove all parts.

For tile or marble walls, drill three 1/4" diameter holes and insert the plastic wall anchors [C].

Attachments to fiberglass or acrylic units can be made in two ways. If a reinforcement is built into the wall of the unit, drill three 1/8" diameter holes and install the screws directly into the reinforcement. If the walls are not reinforced, drill 1/4" holes and install plastic wall anchors or molly bolts (molly bolts not supplied).

Screw the wall jamb to the curb track as shown.

CAUTION: The track should never be screwed to the curb. This will damage the curb and cause leakage.

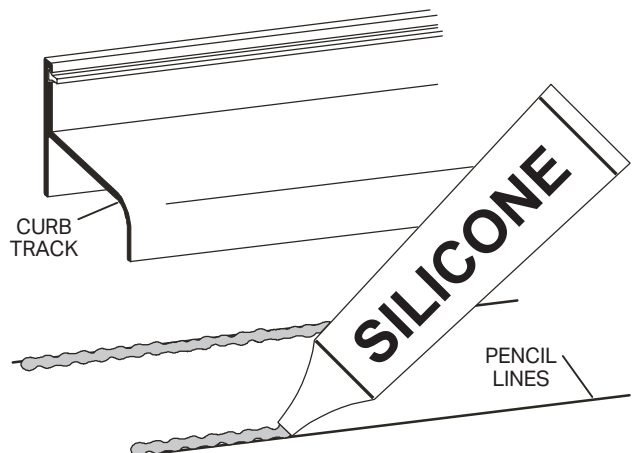


3

INSTALLING CURB TRACK

Before replacing the curb track [A], force a slight downward bow in the extrusion. This will ensure the track fits tight to the curb. Run two beads of silicone inside the penciled marks on the threshold. Place the curb track in the exact position marked in Step#2 and seat firmly in the silicone.

NOTE: Improper siliconing will result in leaks.

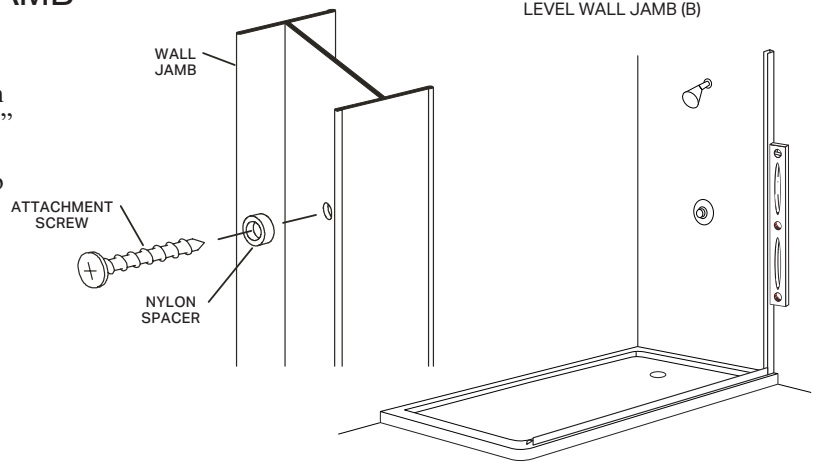


4

INSTALLING VERTICAL WALL JAMB

Replace the wall jambs [B] and attach to the wall with a #8 x 2 truss head screw [D] inserted through the center hole. Slip a nylon spacer [E] over #8 x 2" truss head screw and install in the top hole of the wall jamb. Repeat for the bottom hole. Check jamb for plumb and tighten screws.

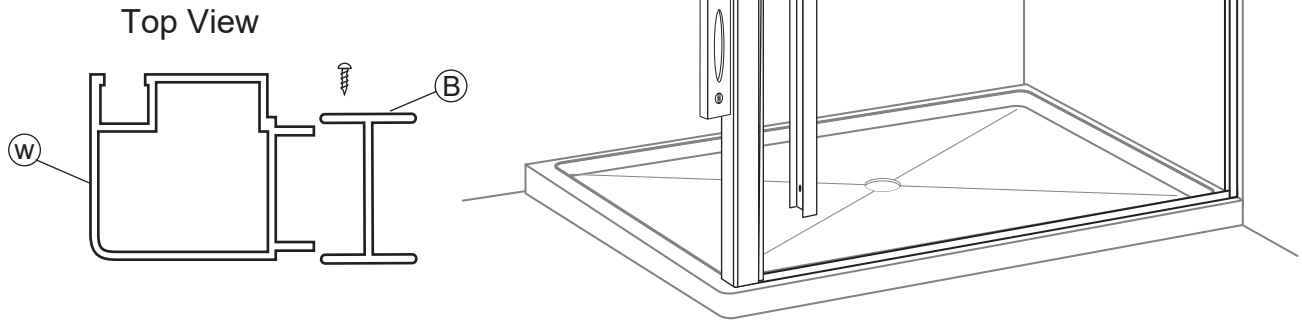
NOTE: Do not over tighten the jamb screws.



5

INSTALLING Corner Jamb

1) Install wall jamb [B] on to corner post [W]. Keep corner post level and plumb to walls. Use set screws to secure The Wall Jamb onto the corner post.



6

RETURN ASSEMBLY INSTALLATION

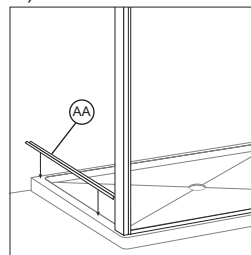
Measuring and Dry Fitting Corner Post and return Butt Curb track

- 2) With corner jamb post assembly in place, dry fit return Butt Curb track [AA] and mark a line for position. (This may have to be cut to fit).
- 3) Set slider wall jamb [B] in place, ensure it's level and mark the hole locations on the wall. Remove all parts and drill the walls for mounting hardware and install.
- 4) Install inline adapter [EE] into wall jamb [B]. Pre-drill and secure with Pan Head screws [K].

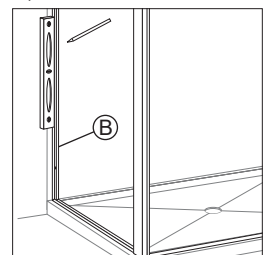
NOTE: It may be necessary to cut the curb track to fit your base. A Chop saw works best for this.



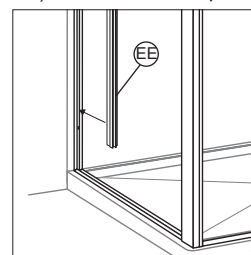
1) Install Butt Curb Track



2) Install Slider Wall Jamb

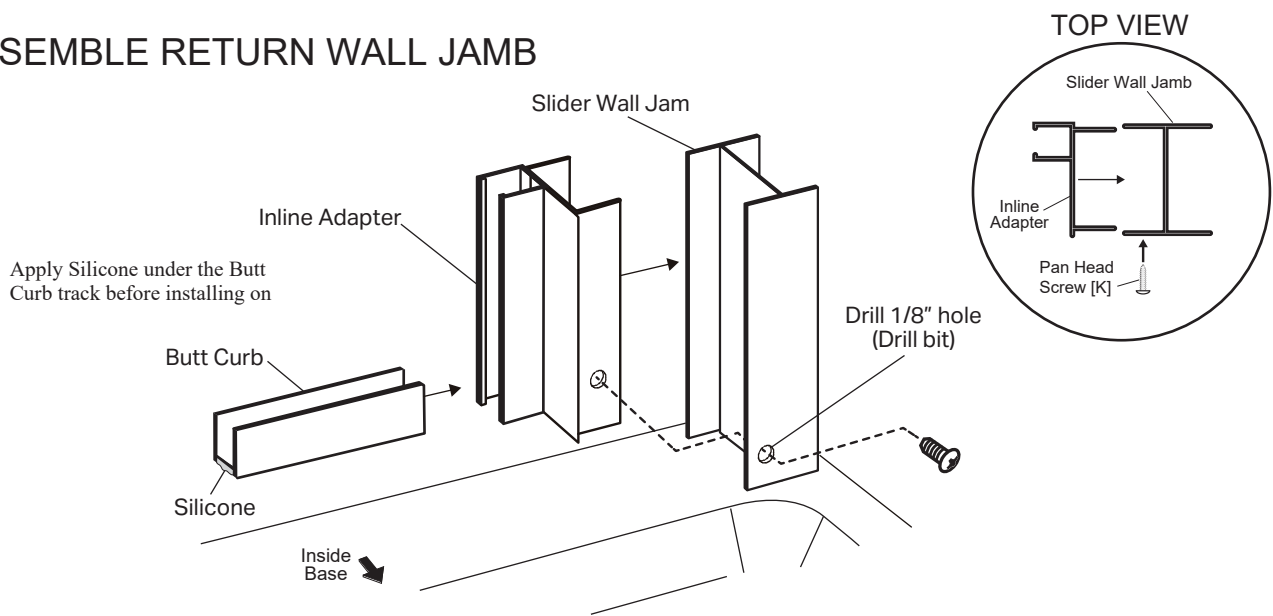


3) Install Inline Adapter



7

ASSEMBLE RETURN WALL JAMB

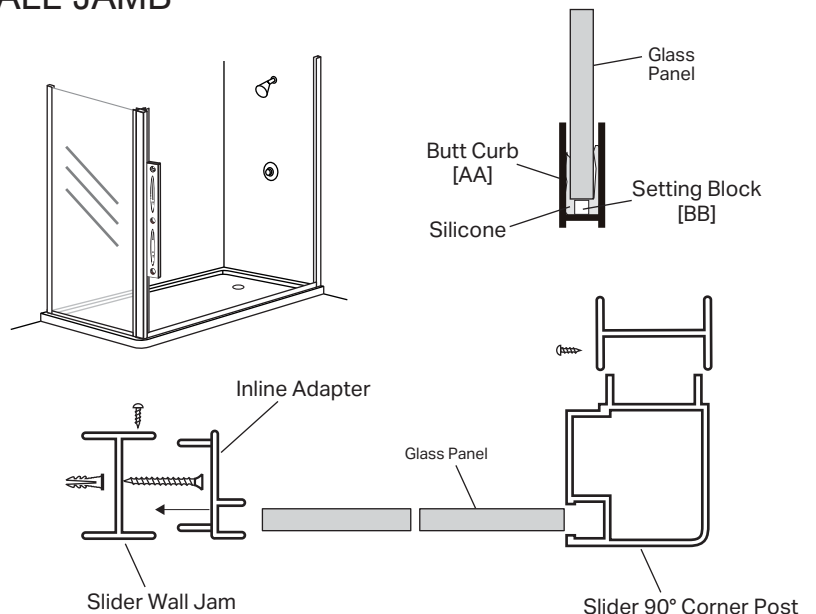


8

INSTALL GLASS PANEL AND WALL JAMB

Place two setting blocks [BB] into the Butt Curb assembly [AA] as shown to support the fixed glass panel. The setting blocks should be positioned approximately 3" from each corner of the glass panel. Remove any protective strips from the glass panel and set it into place on the setting blocks approximately 1/2" into the wall jamb. A strip of masking tape 1/2" from each vertical edge of the glass will aid alignment. The 90° post should overlap the glass panel by 1/2". Use masking tape to hold the post in position temporarily.

Apply Silicone inside Butt Curb before putting glass panel in place. If silicone squeezes out, simply clean with a little denatured alcohol and paper towel.

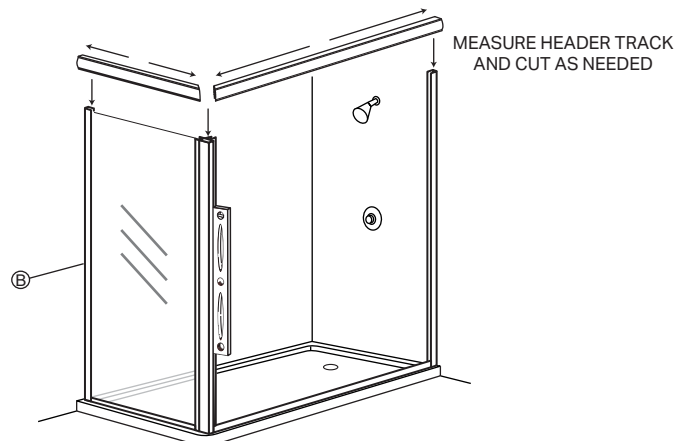


9

DRY FIT HEADER TRACK

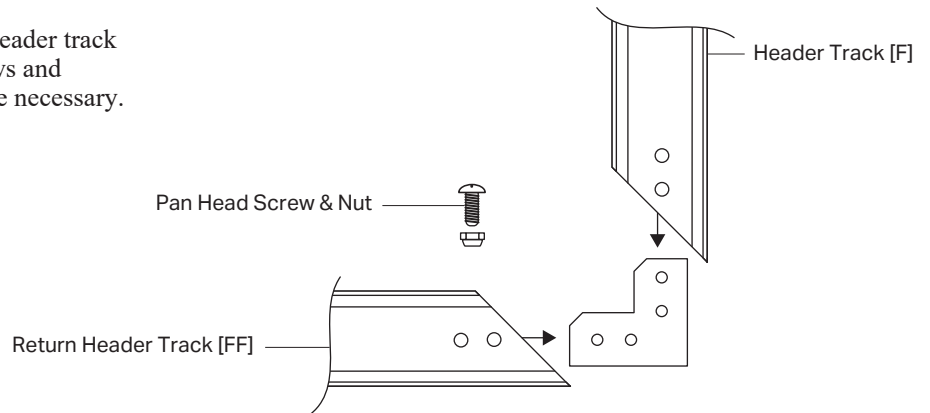
Place Header Track [F] over wall jamb and corner post, making sure Corner Post [W] is level. Measure the distance from the Corner Post back to the slider wall jamb [B]. Cut header to match if needed.

NOTE: It may be necessary to cut the header track to fit your shower. A Chop saw works best for this.



ASSEMBLE HEADER TRACK WITH RETURN

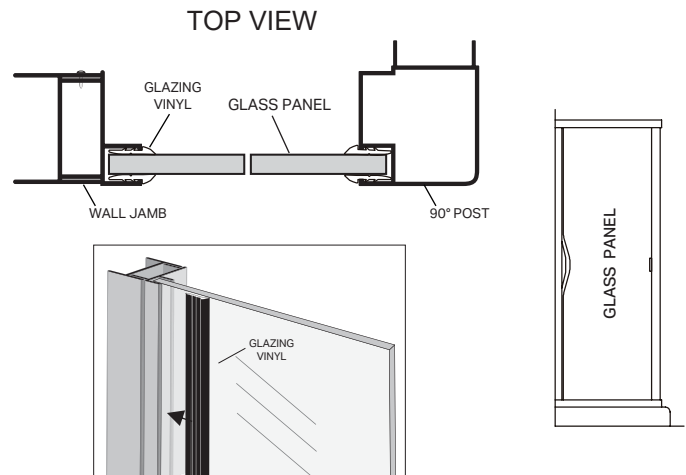
Use angle bracket [HH] to secure the header track with the return header track. Use screws and locking nuts [K]. Some drilling may be necessary.



INSERTING GLAZING VINYL

Cut four pieces of the vinyl [GG] 1" longer than the vertical opening (to prevent gapping from shrinkage) and trim the ends on a 45° angle. Using the masking tape guides, center the glass panel [EE] in the frame. Cut four short (1"- 2") pieces of the small vinyl and press into both jambs on each side to hold the glass temporarily.

Take one of the long pieces of vinyl, and starting on the outside exterior jamb, press each end into the frame and work toward the middle. Be careful not to stretch the vinyl. Install the other three pieces in a similar fashion.



INSTALLING HEADER TRACK

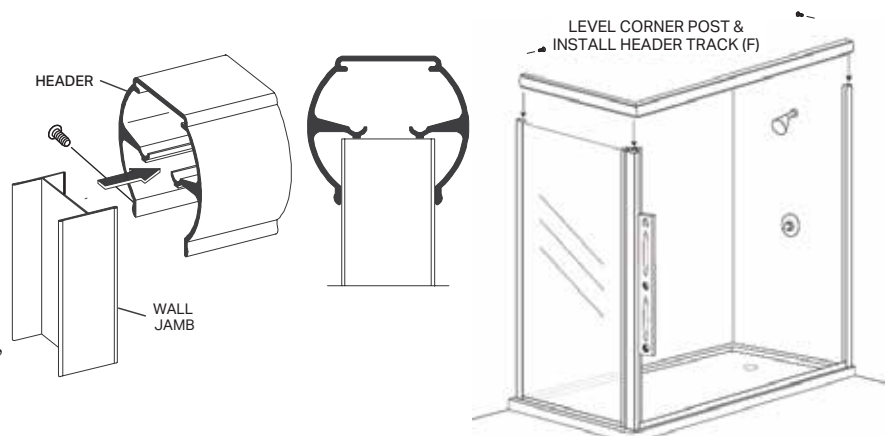
Set the pre-assembled corner jamb on curb track and make level.

With corner jamb post in place and level, measure from the wall jamb (B) to the corner post, and cut the header (F) 1/6" short of this dimension. Check the header for fit.

Place the header track onto the wall jambs. The header track will rest securely on the wall jambs.

NOTE: Some doors may not have the "T-Lock" on the top of the channel. This will not effect the operation of the door.

Drill a 1/8" hole and screw into place.

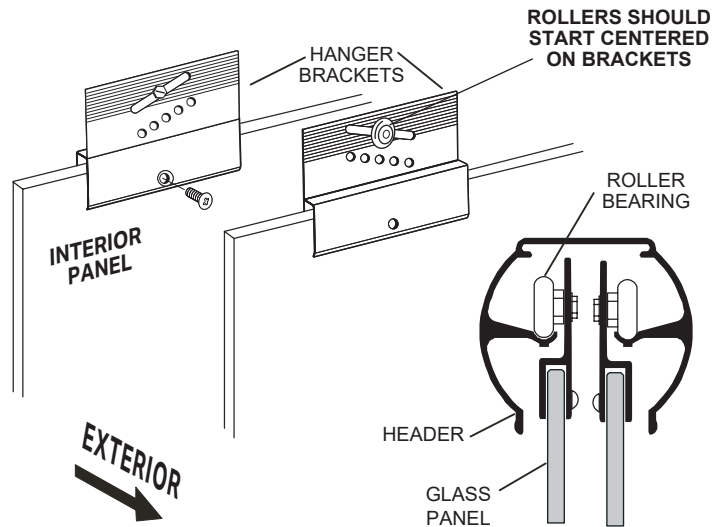


13

MOUNTING HANGER BRACKETS

To attach the hanger bracket, remove the screw and plastic bushing. Insert the plastic bushing into the hole in the glass. Slip the hanger bracket over the edge of the glass and align the hole in the hanger bracket with the hole in the glass. Thread in the screw to secure the hanger bracket to the glass. Tighten the screw. Repeat for the other hanger brackets.

Note: If using obscured glass, [G] the glass panels should be installed with the textured surfaces of the glass to the exterior of the unit. The hanger brackets must be attached as seen in the picture to the right as the brackets will affect the direction of the glass when it is installed onto the header track. If Hanger Brackets are loose, use 1/16" spacer to remove and play from the bracket.



NOTE: The 8-32 slotted hex washer head screw used to attach the roller to the hanger bracket should be torqued to 25 in-lbs. The 1/4-20 flat head screw that attaches the hanger bracket to the glass should be torqued to 35 in-lbs.

CAUTION – Do not over tighten the brackets and cause the end to clamp down on patterned glass. Do NOT use a screw gun. This can cause the glass panel to shatter.

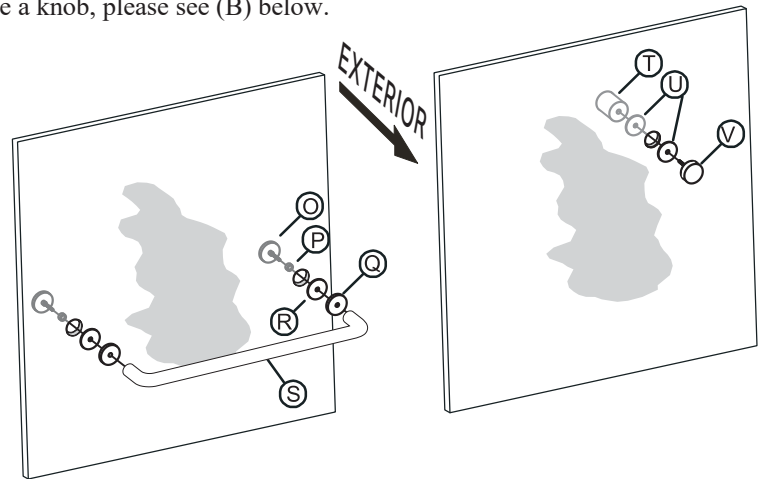
14

MOUNTING HANDLES

Make sure your towel bars and/or knobs are on opposite sides of the glass. If you have a towel bar please see (A) below. If you have a knob, please see (B) below.

A Place spacer [P] over a towel bar cap screw [O]. Place the towel bar cap screw [O] through the glass. Place the plastic washer [R] and the metal washer [Q] over the towel bar cap screw. Screw the towel bar cap screw into the towel bar. [S].

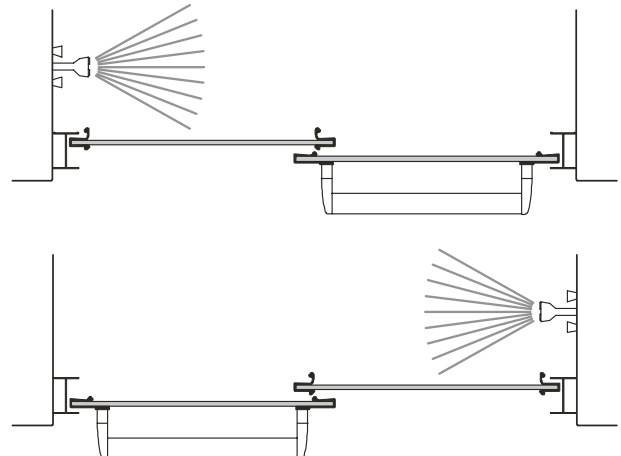
B Place plastic washer [U] on knob cap screw [V]. Place the knob cap screw [V] through the glass panel. Place other plastic washer [U] on knob cap screw [V]. Screw the knob [T] onto the knob cap screw [V].



15

DOOR ORIENTATION

Before installing the door panels, the proper orientation should be determined. For maximum water-proofing, the interior panel should always be positioned closest to the shower head, as shown in the illustration.



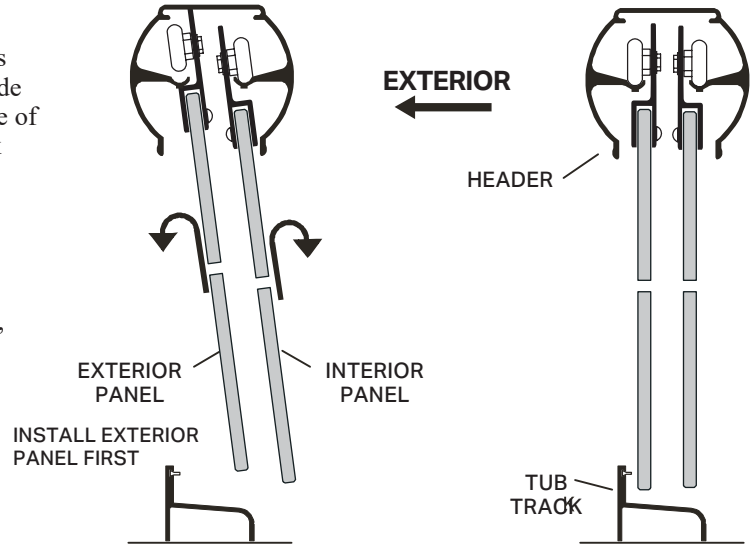
16

INSTALLING DOOR PANELS

While standing inside the shower, lift the exterior glass panel into position with the rollers pointed to the outside of the shower. Gently lift the glass panel into the inside of the header track and set the rollers onto the roller track groove.

Repeat for the interior panel, with the rollers facing the interior.

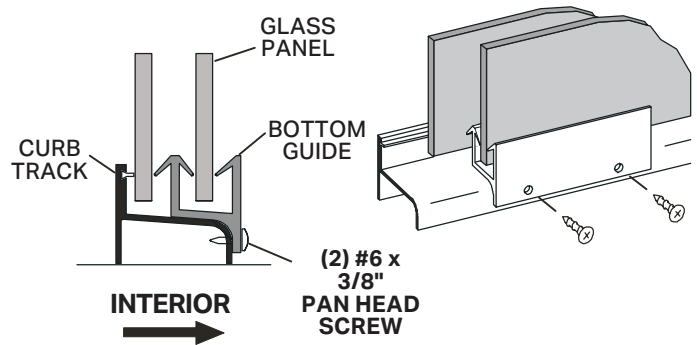
If panels are not parallel to their respective wall jambs, remove and adjust the rollers up or down in their slots to compensate.



17

INSTALLING BOTTOM GUIDE

Locate the bottom guide [J] in the middle of the curb track [A] with the glass panels in the position shown. With a 7/64" bit, drill two holes into the curb track through the mounting holes in the bottom guide [J]. Install the bottom guide with two holes as shown, making sure that the guide is tight against the curb track. It is recommended to pre-drill holes in the Curb Track.



18

SILICONE SEALING

Apply a small bead of silicone to each end of the curb track [A] where it meets the wall jambs [B] and also the interior edge of the wall jambs as shown.

Also, run a bead of silicone on the outside of the wall jambs.

Finally, run a bead of silicone along the inside and the outside of the curb track as well.

To apply the cleanest bead of silicone, use the yellow masking tape to tape along the seams (Glass-to-Hardware and Hardware-to-Onyx.)

Silicone the Fixed Glass Panel (Glass-to-Hardware and Hardware-to-Onyx.)

NOTE: The caulking should be allowed to cure for twenty four hours before using your new shower enclosure.

