



INSTALLATION INSTRUCTIONS

105 Broadway St. Belvue, KS 66407
Phone: 800-669-9867 Fax: 800-393-6699
www.onyxcollection.com

 **ALUMAX**
BATH ENCLOSURES
by Sapa
800-643-1514
www.alumaxshowerdoor.com



340 & 350 Series

Deluxe Frameless ByPass Bath Enclosures

Elegance For Your Bath



Yes! Guaranteed Forever!

Proudly Made in Kansas, USA
105 Broadway St. Belvue, KS 66407

Our phones are answered by knowledgeable people from
7:00 a.m.- 5 p.m. Central Time, Monday - Friday.

After hours you can leave a voice mail message and we will be glad to return your call
(We do not have showrooms at our factory or office.)

1-800-669-9867
1-800-ONYXTOP

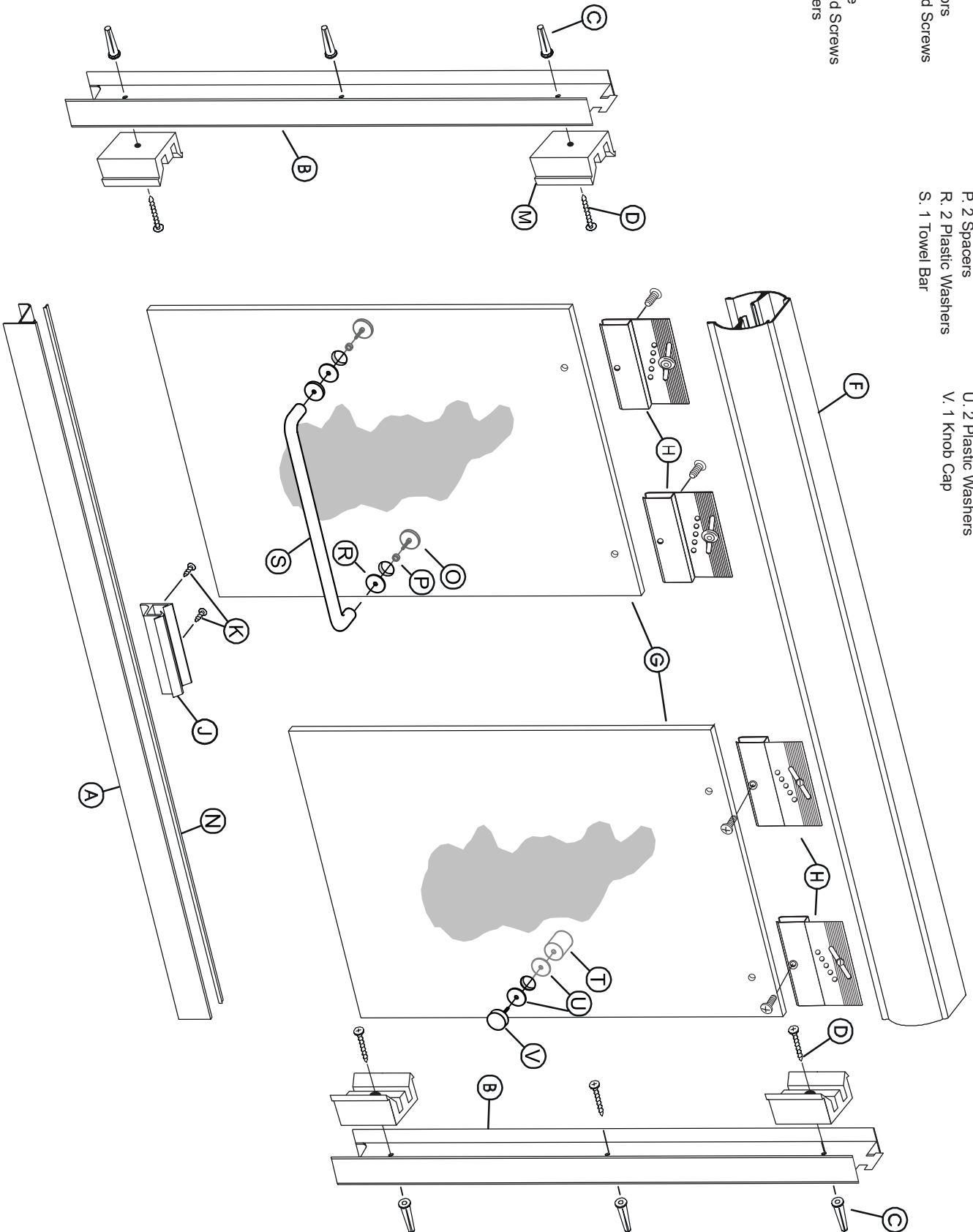
www.onyxcollection.com

340D-350D PARTS LIST

- A. 1 Curb Track with Vinyl
- B. 2 Wall Jamb
- C. 6 Plastic Wall Anchors
- D. 6 #8 x 2" Truss Head Screws
- F. 1 Header
- G. 2 Glass Panels
- H. 4 Hanger Brackets
- J. 1 PVC Bottom Guide
- K. 2 #6 x 3/8" Pan Head Screws
- M. 4 Vinyl Jamb Bumpers
- N. 1 Vinyl Silencer

- O. 2 Towel Bar Caps
- P. 2 Spacers
- R. 2 Plastic Washers
- S. 1 Towel Bar

- T. 1 Knob
- U. 2 Plastic Washers
- V. 1 Knob Cap



1

MEASURING CURB TRACK

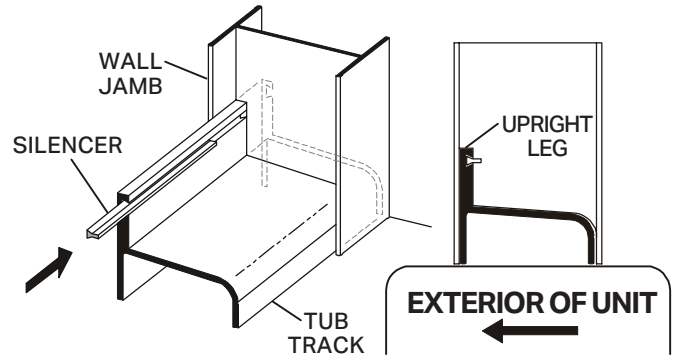
Measure the wall-to-wall opening along the center of the threshold. Cut the curb track [A] 1/16" short of this dimension.

If the vinyl silencer [N] is separate from the curb track [A], slide the silencer into the slot in the curb track.

Position the curb track in the center of the threshold with the tall leg to the exterior. It may be necessary to file a radius on the ends of the curb track and wall jambs to match the corners of the curb.

Tape the curb in place to hold it in position temporarily.

Press both wall jambs [B] into position over the curb track. Masking tape can be used to hold jambs in place temporarily.



2

ALIGNING VERTICAL CHANNELS

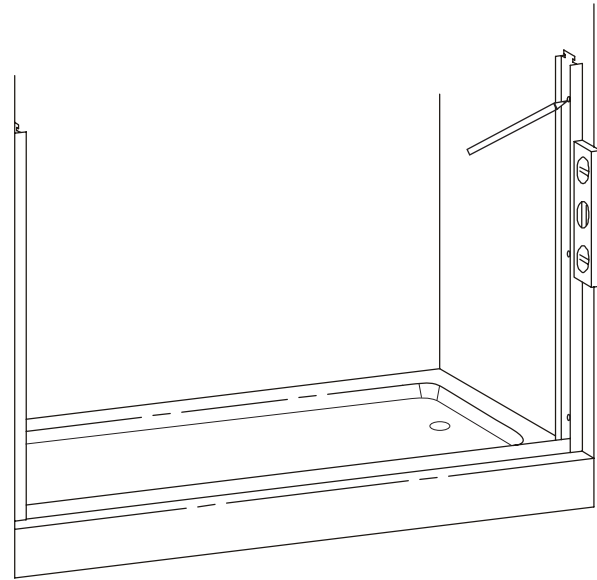
Use a level to plumb wall jambs [B], then mark the pre drilled hole locations on the wall. Lightly mark along both sides of the curb track [A] with a pencil, then remove all parts.

Drill six 1/4" diameter holes through the shower walls. If wood backing is not in the wall, insert the plastic wall anchors [C]. A center punch helps locate the holes accurately.

Note: Attachments to fiberglass or acrylic shower units can be made in two ways. If a reinforcement is built into the wall of the unit, drill six 1/8" diameter holes and install the screws directly into the reinforcement. If the walls are not reinforced, drill 1/4" holes and install plastic wall anchors or molly bolts (molly bolts not supplied).

Note: The track or jambs should never be screwed directly to the Onyx curb or wall panels. Drill pilot holes through the Onyx and screw into wood backing or anchors.

CAUTION: The track should never be screwed to the tub. This will damage the tub and cause leakage



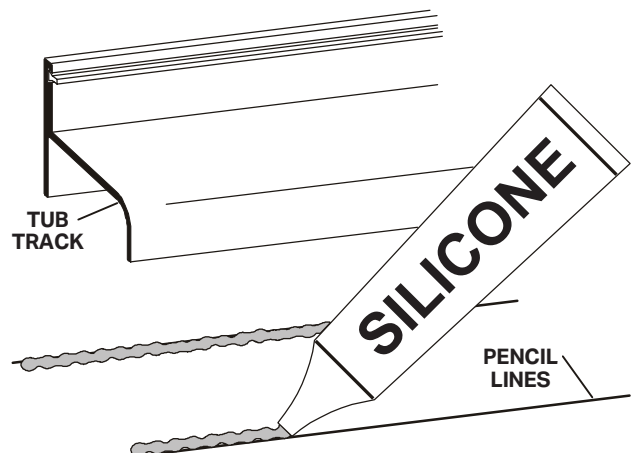
3

INSTALLING CURB TRACK

Before replacing the curb track [A], force a slight downward bow in the extrusion. This will ensure the track fits tight to the curb. Run two beads of silicone inside the penciled marks on the threshold. Place the curb track in the exact position marked in Step #2 and seat firmly in the silicone.

NOTE: Siliconing is a very important step as it is necessary to keep the shower door from leaking.

NOTE: Improper caulking will result in leaks.

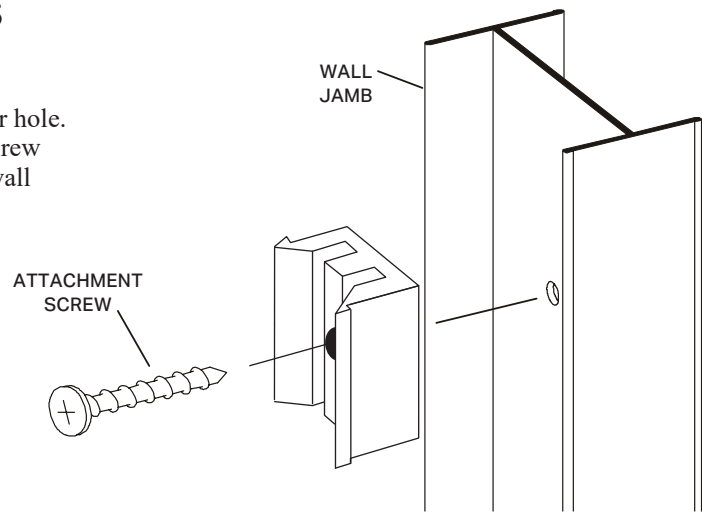


4 INSTALLING VERTICLE CHANNELS

Select one wall jamb [B] and attach to the wall with a #8 x 2 truss head screw [D] inserted through the center hole. For the top and bottom truss head screws, insert the screw through the bumper and then through the hole in the wall jamb.

Repeat for the bottom hole.
Check jamb for plumb and tighten screws.

NOTE: Do not over tighten the jamb screws.



5 INSTALLING HEADER TRACK

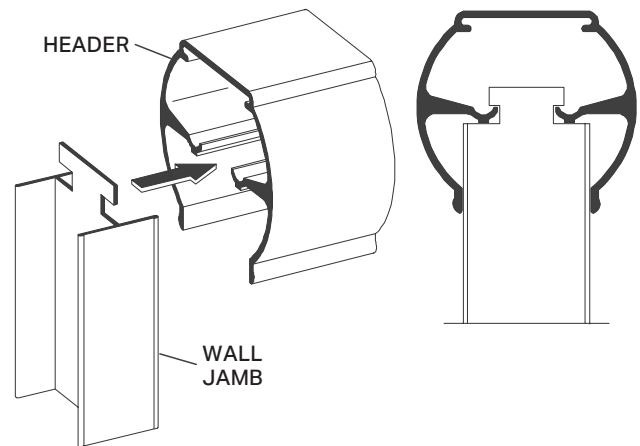
This bath enclosure is equipped with safety teelock wall jambs. When installed properly, the header is permanently locked to the wall jambs and cannot be accidentally dislodged.

Measure the wall-to-wall opening where the header will be installed [B] and cut the header [F] 1/16" short of this dimension. Check the header for fit.

Slide the safety tee-lock of the unmounted wall jamb into the header.

Holding the header at an angle, insert the end of the header track onto the mounted wall jamb. Pivot the header into place, then slide the loose wall jamb to the wall and press into position against the shower wall. Attach to the wall per instructions in Step #4.

NOTE: Some doors may not have the "T-Lock" on the top of the channel. This will not affect the operation of the door.

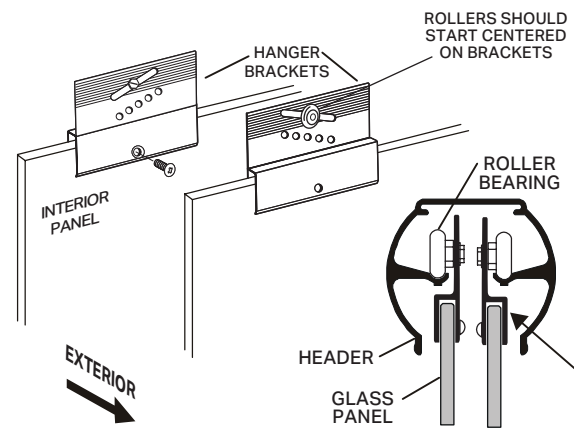


6 ATTACHING HANGER BRACKETS

To attach the hanger bracket, remove the screw and plastic bushing. Insert the plastic bushing into the hole in the glass. Slip the hanger bracket over the edge of the glass and align the hole in the hanger bracket with the hole in the glass. Thread in the screw to secure the hanger bracket to the glass. Tighten the screw.

Note: If using obscured glass, [G] the glass panels should be installed with the textured surfaces of the glass to the exterior of the unit. The hanger brackets must be attached as seen in the picture to the right as the brackets will affect the direction of the glass when it is installed onto the header track.

NOTE: The 1/4-20 flat head screw that attaches the hanger bracket to the glass should be torqued to 35 in-lbs. The 8-32 slotted hex washer head screw used to attach the roller to the hanger bracket should be torqued to 25 in-lbs.



You might receive rubber pieces with the Roller Brackets to fill these gaps —These don't always fit due to tolerances, and are Never Necessary

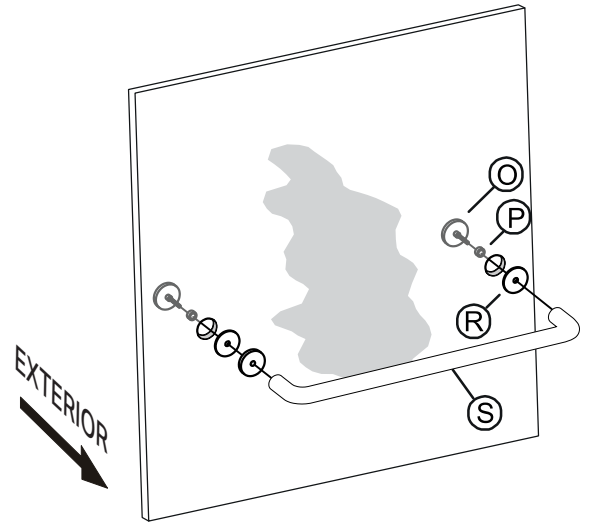
CAUTION – Do not over tighten the brackets and cause the end to clamp down on the glass. Do NOT use a screw gun. This can cause the glass panel to shatter.

7

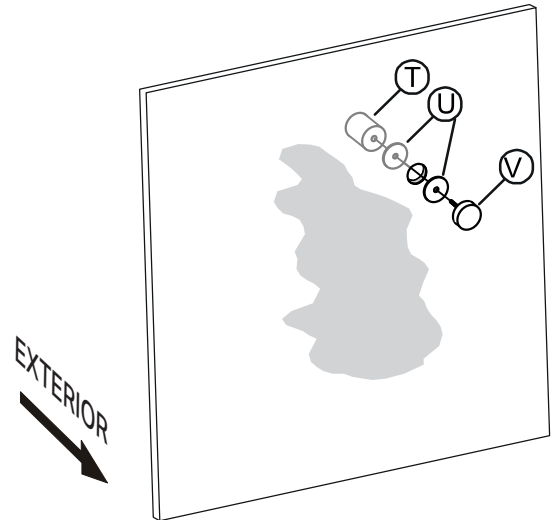
MOUNTING HANDLES

Make sure your towel bars and/or knobs are on the opposite side of the glass.
If you have a towel bar please see (A) below. If you have a knob, please see (B) below.

- A** Place space saver [P] over a towel bar cap screw [O]. Place the towel bar cap screw [O] through the glass. Place the plastic washer [R] over the towel bar cap screw. Screw the towel bar cap screw into the towel bar. [S].



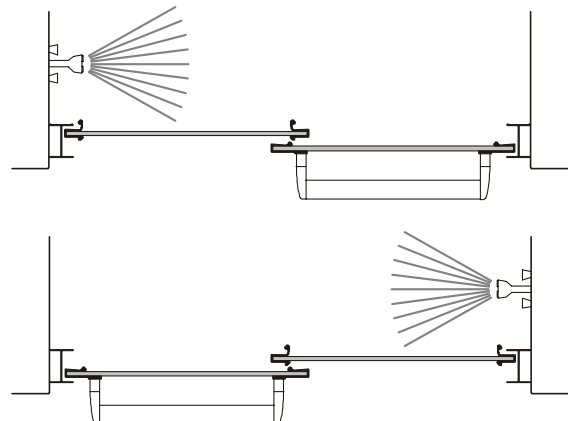
- B** Place plastic washer [U] on knob cap screw [V]. Place the knob cap screw [V] through the glass panel. Place other plastic washer [U] on knob cap screw [V]. Screw the knob [T] onto the knob cap screw [V].



8

DOOR ORIENTATION

Before installing the door panels, the proper orientation should be determined. For maximum water-proofing, the interior panel should always be positioned closest to the shower head, as shown in the illustration.



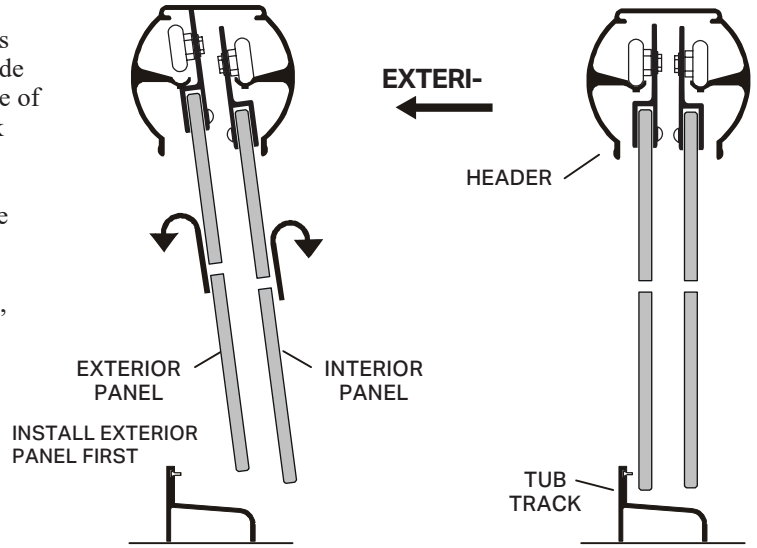
9

INSTALLING DOOR PANELS

While standing inside the shower, lift the exterior glass panel into position with the rollers pointed to the outside of the shower. Gently lift the glass panel into the inside of the header track and set the rollers onto the roller track groove.

Repeat for the interior panel, with the rollers facing the interior.

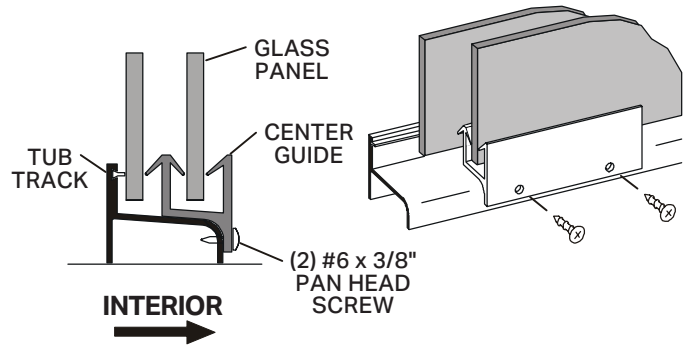
If panels are not parallel to their respective wall jambs, remove and adjust the rollers up or down in their slots to compensate.



10

INSTALLING JAMB GUIDE

Locate the nylon bottom guide [J] in the middle of the curb track [A] with the glass panels in the position shown. With a 1/8" drill bit, drill two holes into the curb track (note: there is a "V-groove" on the curb track and the holes must be drilled in the center of this "V-groove" for proper placement). Install the bottom guide with two holes as shown, making sure that the guide is tight against the curb track.



11

Apply a small bead of silicone to each end of the curb track [A] where it meets the wall jambs [B] and also the interior edge of the wall jambs as shown. Also, run a bead of silicone on the outside of the wall jambs. Finally, run a bead of silicone along the inside and the outside of the curb track as well.

To apply the cleanest bead of silicone, use the yellow masking tape to tape along the seams (Glass-to-Hardware and Hardware-to-Onyx.)
Silicone the Fixed Glass Panel (Glass-to-Hardware and Hardware-to-Onyx.)

NOTE: The caulking should be allowed to cure for twenty four hours before using your new shower enclosure.

