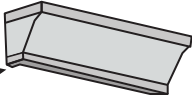
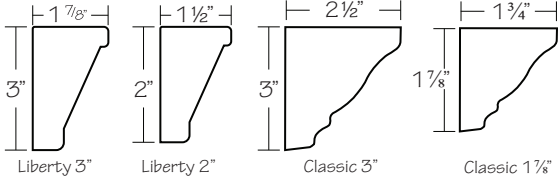
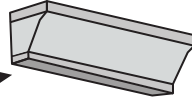


CROWN MOLDING INSTALLATION

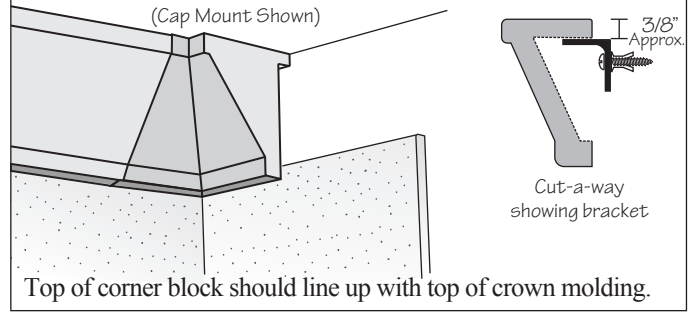
“Cap” Mount
(Notched Bottom to overlap panels)



“Top” Mount
(Finished Bottom to set on top of panels)



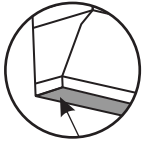
Optional Corner Block



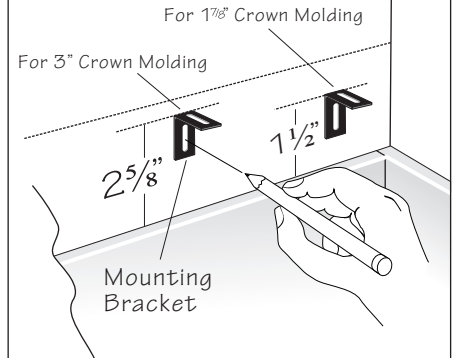
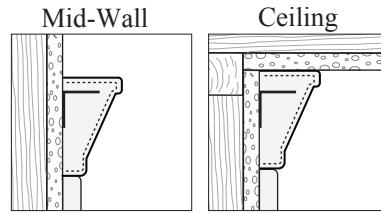
1 Crown & Bracket Location

Note: Optional corner block is 1/8" taller than Crown trim

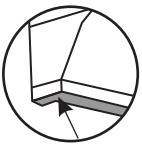
Top Mount



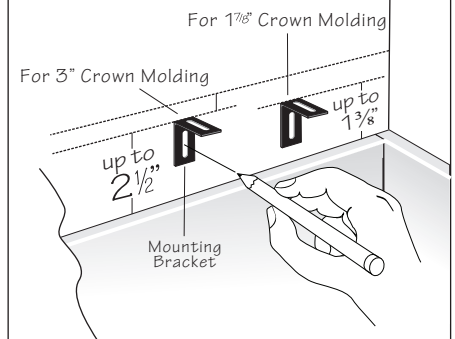
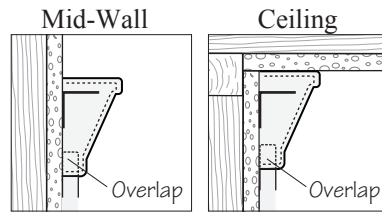
The “Top Mount” Crown Molding has a solid bottom which should rest on the top of the panel as seen in the drawing to the right.



Cap Mount



The “Cap Mount” Crown Molding is notched on the bottom. When installed, this molding will overlap the Onyx wall panel as seen in the drawing to the right.



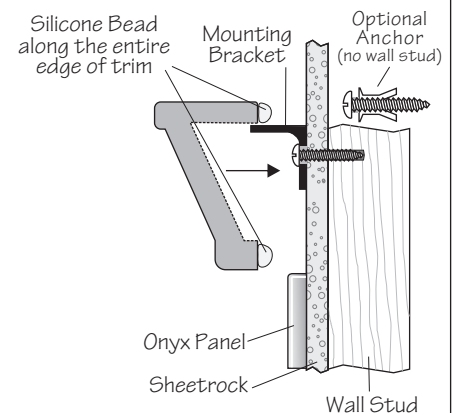
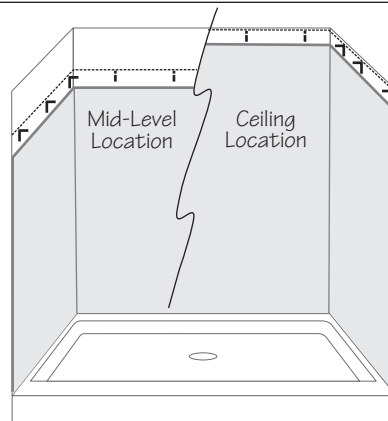
2 Attaching Brackets

Mark the height or location of the angle brackets and attach them to the wall about 16" apart.

Use a level to mark a line for the top of the brackets in order to keep the brackets at the same level around the shower.

When possible, locate the wall studs and screw the brackets directly to them. If this is not an option, use the wall anchors provided.

Attach the brackets to the wall as seen in the drawing to the right.

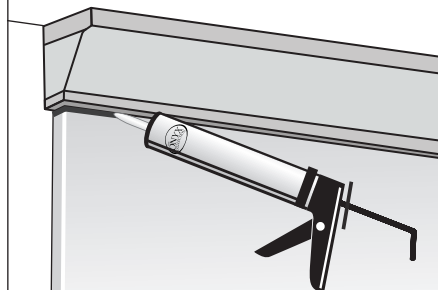


3 Securing & Sealing

Apply a small bead of silicone to the area of the Crown Molding that touches the wall and install it by resting it on the angle brackets.

Masking tape may be needed to secure the molding until the adhesive silicone starts to cure (usually 15 minutes to an hour).

Apply color-matched sealant as needed.



To smooth out a seamfill bead with your finger, dampen a paper towel with rubbing alcohol and then dampen your finger. Next, run your finger along the bead of seamfill, wiping any excess silicone onto the paper towel. The rubbing alcohol will keep the silicone from smearing.