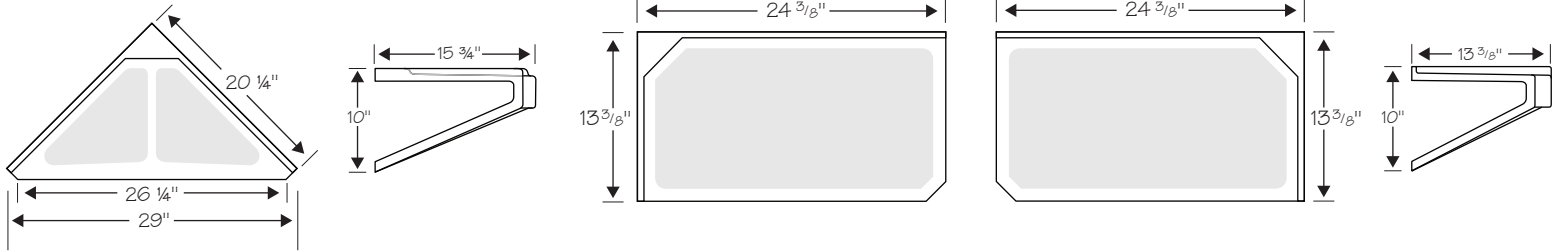
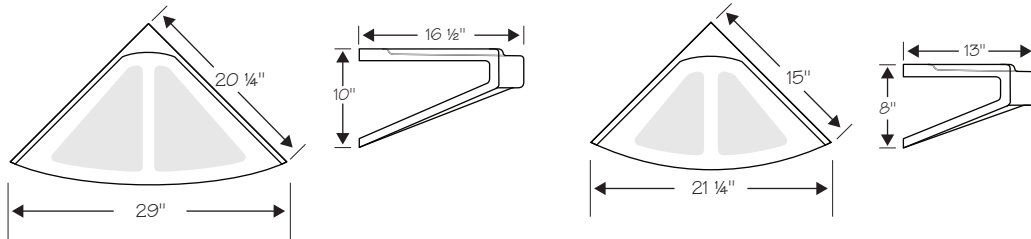


SHOWER SEAT INSTALLATION

Liberty Corner Seat - Regular & Extended



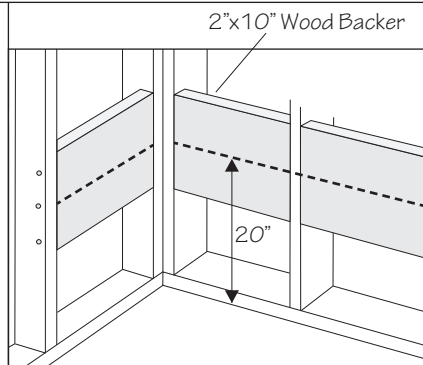
Pearl Corner Seats - Regular & Small



Note: these instructions work for all Liberty + Pearl Corner Seats.

1 Wall Preparation

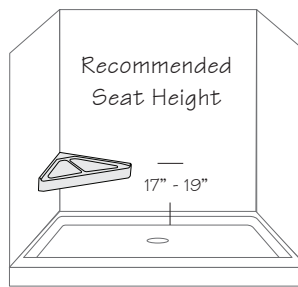
Wood backing (2" X 10") is needed to support the shower seat. Install the backing so that its center is about 20" off the sub-floor. This will allow for the finished seat height to be between 16"-20" high. The backing should extend a minimum of 16" from the corner for the 20 1/4" corner seats, 24" for the long side of the extended seats.



The 2" x 10" wood backer should be secured soundly to the wall studs.

2 Seat Location

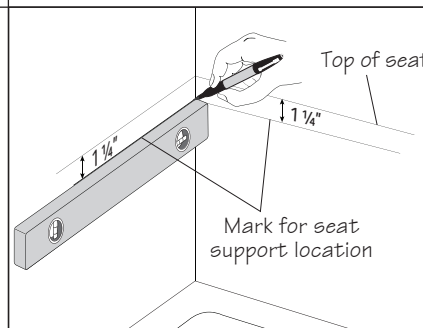
After installing the shower walls, determine the height of the corner seat. Hold the seat in place and mark the walls with painter's tape at the top of the seat as a reference point. (Normally the height of the seat is between 17" and 19" above the floor of the base.)



Using painter's tape on the shower wall to mark the location of the top of the seat will be helpful to maintain the correct height for marking the holes.

3 Marking for Support Location

The top of the wood supports should be 1 1/4" below the top of the seat. Using the top of the seat mark, measure down 1 1/4", then using a level, draw a line from the corner out about 16" long on each wall. This level line will help align the top of the wood support in the next step.



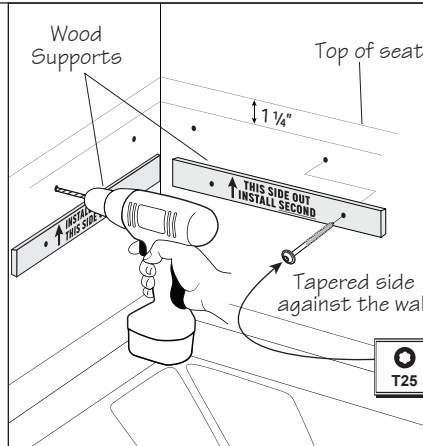
Installing the wood supports level will insure correct drainage on the seat when installed.

4 Attaching the Supports

Start with the bracket stamped "Install First". Align the top edge of the wooden support with the level line marked on the wall panel and mark the hole locations. The tapered edge will be facing up.

Pre-drill $\frac{1}{4}$ " clearance holes through the Onyx panel only. Using the heavy duty truss head screws, attach the wood supports to the shower wall.

Follow the same process for the bracket stamped "Install Second."

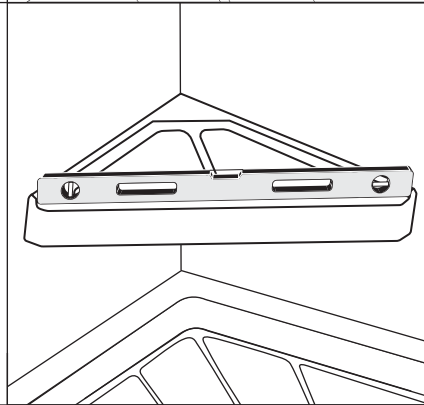


Regular drill bits can be used when drilling through Onyx wall panels. When drilling the clearance hole, be careful not to drill into the wood backing.

Note: the top of the wood support has a tapered angle. When installed the tapered angle slopes downward and into the wall panel.

5 Dry Fit Seat & Check Level

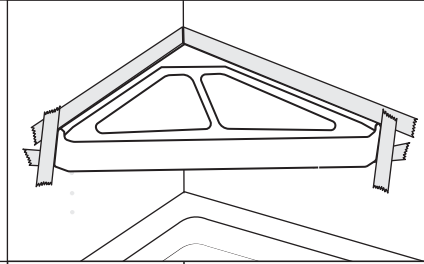
Place the seat on the wood supports. Ideally, the wall will be square and everything will fit perfectly. If the wall is out of square slightly, color match silicone can cover a small gap easily. (If the wall is out of square more than $\frac{1}{4}$ " we recommend marking the seat, on the top and bottom, and using a belt sander to fit the seat to the corner). Check the seat with a level. The seat design has slopes to allow the water to drain towards the front of the seat. Confirm that the seat will drain water.



If the seat needs to be belt sanded, masking tape is often used to help mark the line.

6 Dry Fitting & Mark with Tape

With the seat in place, apply painter's tape around all the edges of the seat to help with placement and clean-up of the adhesive silicone.

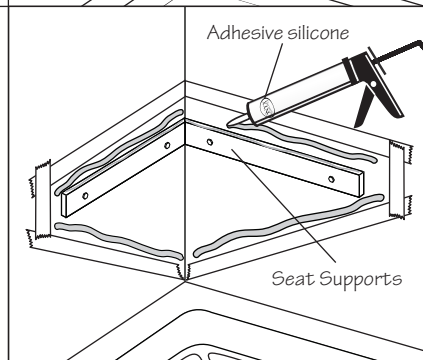


The painter's tape will help keep the silicone from being spread on the wall panels.

7 Mounting & Adhesive Silicone

Remove the seat and apply a $\frac{3}{8}$ " bead of silicone on the shower walls, about $\frac{1}{2}$ " inside of the edge of the painter's tape. Apply a bead of silicone on top of the wood supports as well. Place the seat back onto the wood supports. Excess silicone may squeeze out in places.

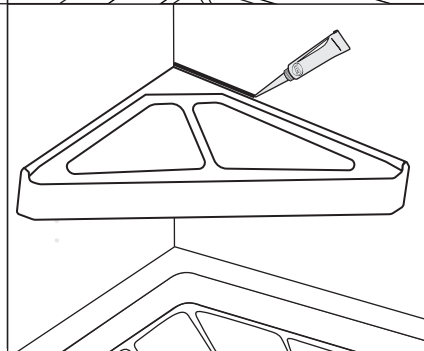
Remove the painter's tape, being careful to remove the excess silicone.



If excess adhesive silicone gets on the walls or seat, it can be cleaned up using rubbing alcohol and paper towel while still wet.

8 Color Match Silicone Sealing

After the seat is secured in place, it may be necessary to support or brace the seat against the wall until the adhesive silicone cures. Then use the Onyx color matched silicone to fill the seams between the seat and the walls. Tool the seams with your finger dampened with rubbing alcohol.



To smooth out a seamfill bead with your finger, dampen a paper towel with rubbing alcohol and then dampen your finger. Next, run your finger along the bead of seamfill, wiping any excess silicone onto the paper towel.

The rubbing alcohol will keep the silicone from smearing.