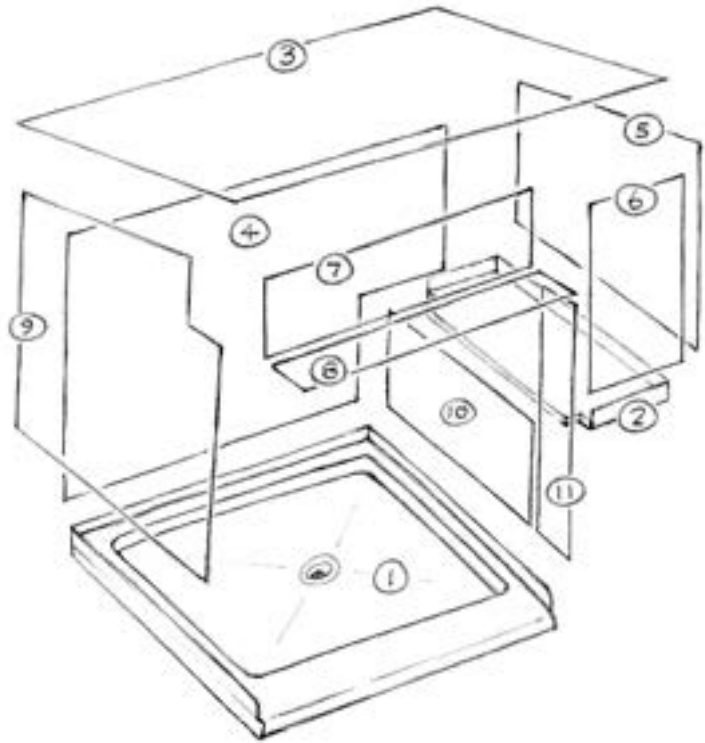




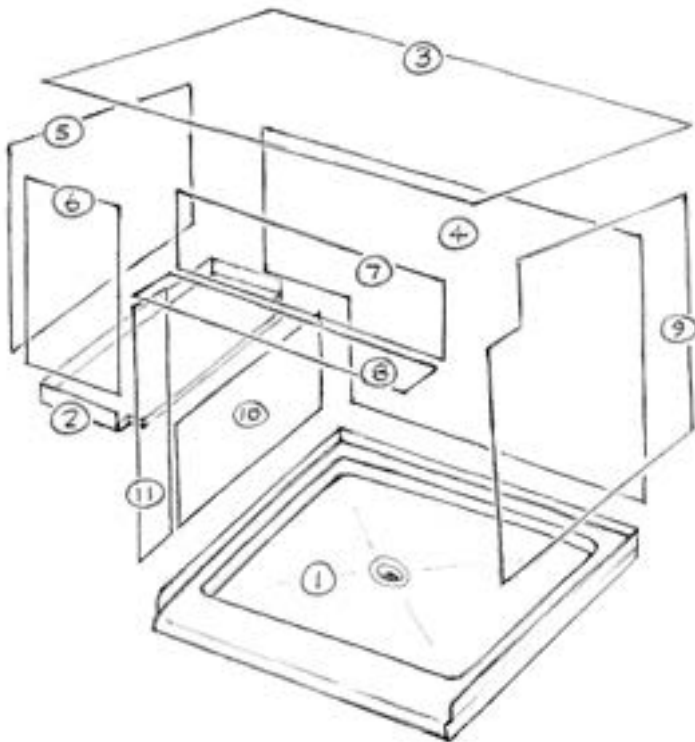
# SHOWER DESIGN WORK SHEET

Belvue, KS 66407 \* (800) 669-9867 \* FAX (800) 393-6699 \* www.onyxcollection.com

**Attic Shower  
- with Sloped Ceiling -  
and Bench Seat on Right Side  
Using STANDARD Shower Base**



**Attic Shower  
- with Sloped Ceiling -  
and Bench Seat on Left Side  
Using STANDARD Shower Base**



Copy this page, write your dimensions on the copy, and fax to us for a quote.  
**Always give stud-to-stud measurements for base, framing height of bench seat support structure, and distance to top of wall panels from the floor.** We will figure clearances etc.  
Circled numbers indicate assembly order.