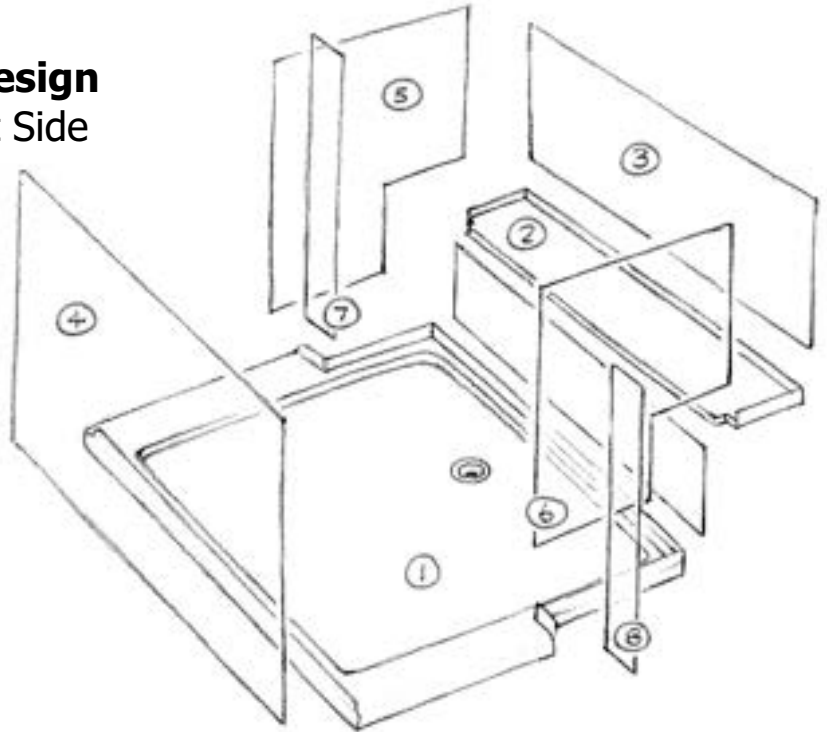




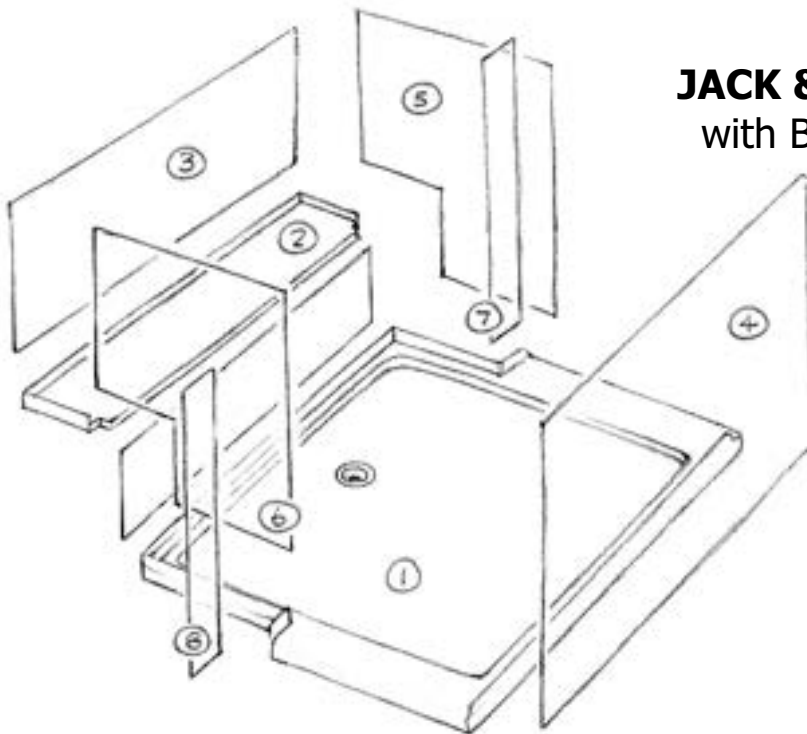
# SHOWER DESIGN WORK SHEET

Belvue, KS 66407 \* (800) 669-9867 \* FAX (800) 393-6699 \* [www.onyxcollection.com](http://www.onyxcollection.com)

## JACK & JILL Shower Design with Bench Seat on Right Side



## JACK & JILL Shower Design with Bench Seat on Left Side



Copy this page, write your dimensions on the copy, and fax to us for a quote.

**Always give stud-to-stud measurements for base, framing height of bench seat support structure, and distance to top of wall panels from the floor.** We will figure clearances etc.

Circled numbers indicate assembly order.