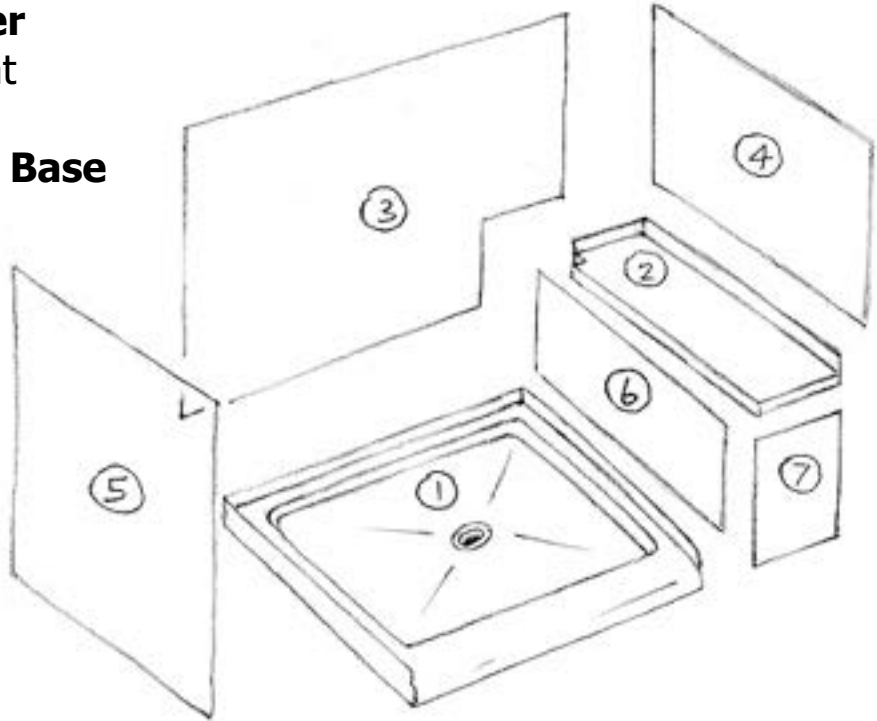




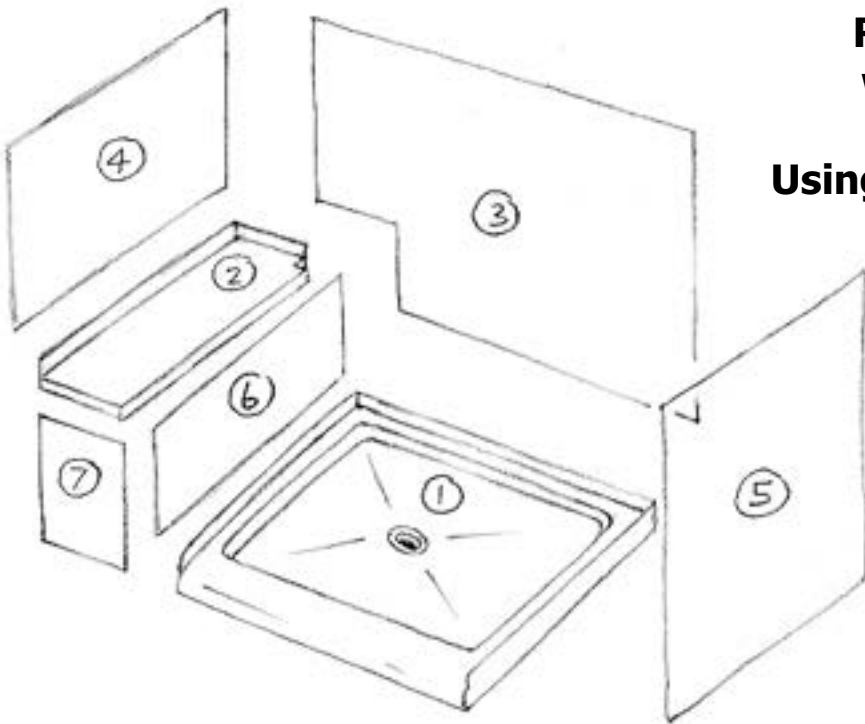
# SHOWER DESIGN WORK SHEET

Belvue, KS 66407 \* (800) 669-9867 \* FAX (800) 393-6699 \* [www.onyxcollection.com](http://www.onyxcollection.com)

**Rectangular Shower**  
with Open Bench Seat  
on Right Side  
Using **STANDARD** Style Base



**Rectangular Shower**  
with Open Bench Seat  
on Left Side  
Using **STANDARD** Style Base



Copy this page, write your dimensions on the copy, and fax to us for a quote.  
**Always give stud-to-stud measurements for base, framing height of bench seat support structure, and distance to top of wall panels from the floor.** We will figure clearances etc.

Circled numbers indicate assembly order.