



# INSTALLATION INSTRUCTIONS

105 Broadway St. Belvue, KS 66407  
Phone: 800-669-9867 Fax: 800-393-6699  
[www.onyxcollection.com](http://www.onyxcollection.com)

 **ALUMAX**  
BATH ENCLOSURES  
by Sapa  
800-643-1514  
[www.alumaxshowerdoor.com](http://www.alumaxshowerdoor.com)



## **PL-90 Frameless Single Door Shower Enclosure**



---

**Yes! Guaranteed Forever!**

---

Proudly Made in Kansas, USA  
105 Broadway St. Belvue, KS 66407

Our phones are answered by knowledgeable people from  
7:00 a.m.- 5 p.m. Central Time, Monday - Friday.

After hours you can leave a voice mail message and we will be glad to return your call  
(We do not have showrooms at our factory or office.)

**1-800-669-9867**  
**1-800-ONYXTOP**

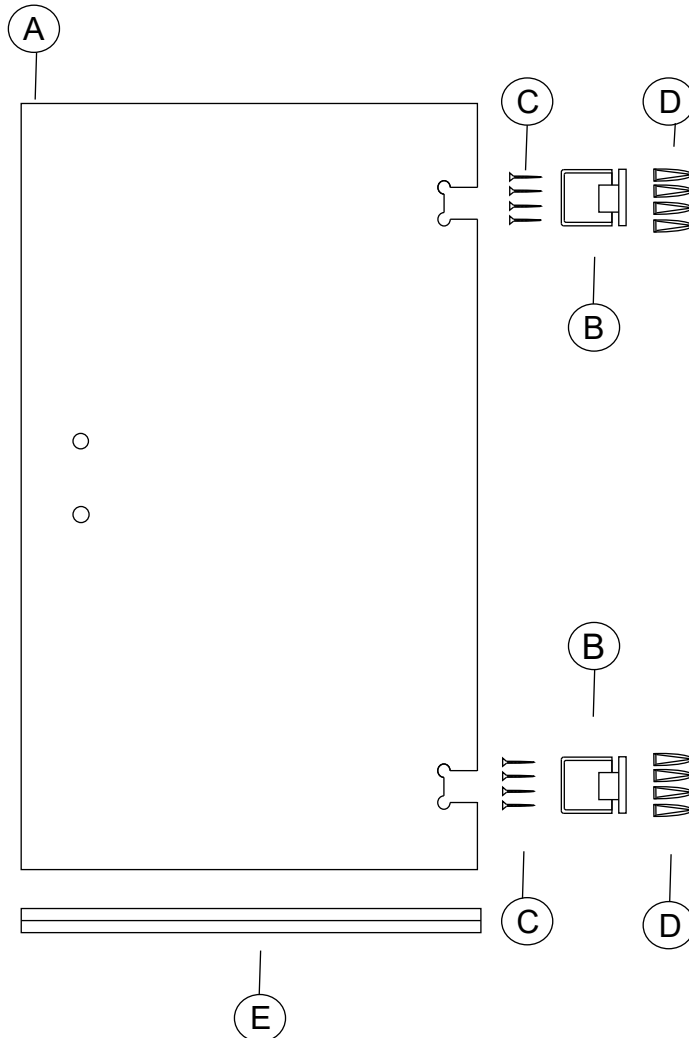
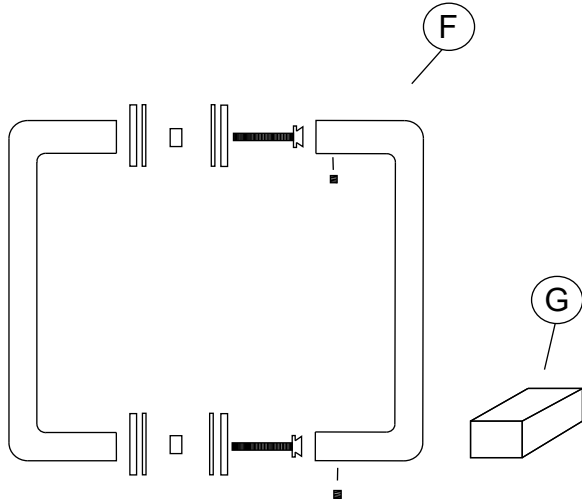
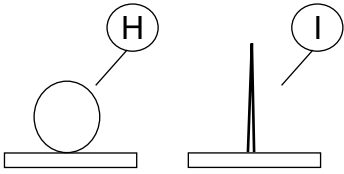
---

[www.onyxcollection.com](http://www.onyxcollection.com)

---

# Parts List

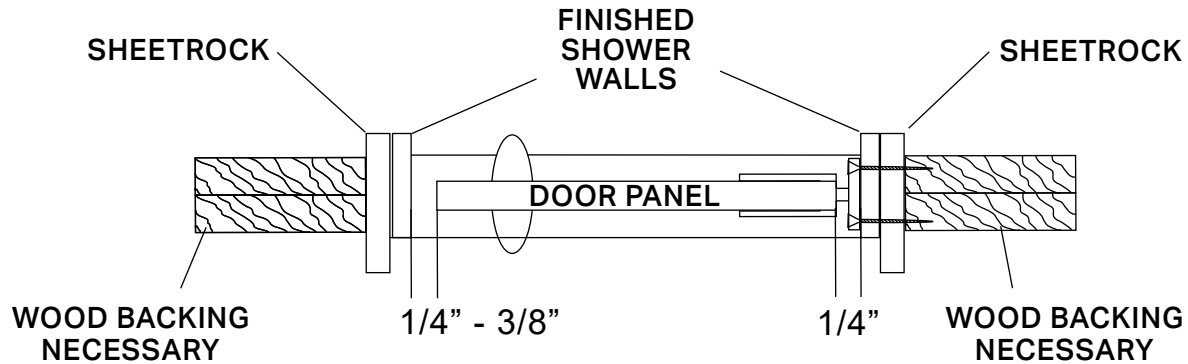
- A) Door Panel
- B) 2 Hinges
- C) 8 Polished Pan Head Screws
- D) 8 1/4" Anchors (Grey)
- E) Door Sweep
- F) 8"x8" Handle
- G) 2 1/2" Black Spacers
- H) 2 Tape On Bubble Vinyls
- I) 2 Tape On T Vinyl



# INSTALL INSTRUCTIONS

1

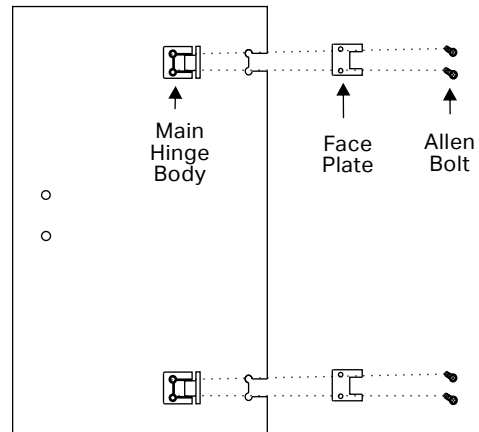
## Top View



2

## HINGE INSTALLATION

- Remove faceplate from hinge (B)
- Place main hinge body into the notch in the door panel (A)
- Line faceplate up with main hinge body
- Tighten allen bolt down so that the hinges stay into place
- Hinge Plate Screws should be installed to the inside of the Shower (For aesthetic purposes Only)



**INSTALL TIP: DO NOT FULLY TIGHTEN ALLEN BOLTS, THE DOOR WILL NEED TO BE ADJUSTED LATER**

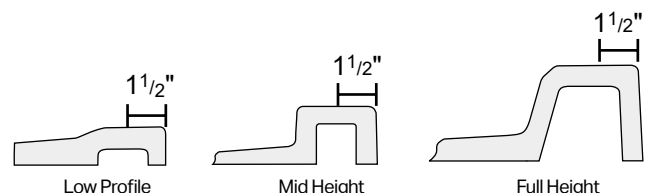
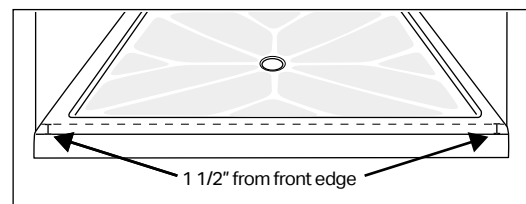
3

## FINDING DOOR LOCATION ON CURB

Measure back 1 1/2" from the outside edge of the base curb on the left side of the opening.  
Mark it with a grease pencil or non abrasive marker.

Measure 1 1/2" from the outside edge of the base on the curb on the right, and mark.

Using a straight edge, connect the marks. This is the centerline of the glass.

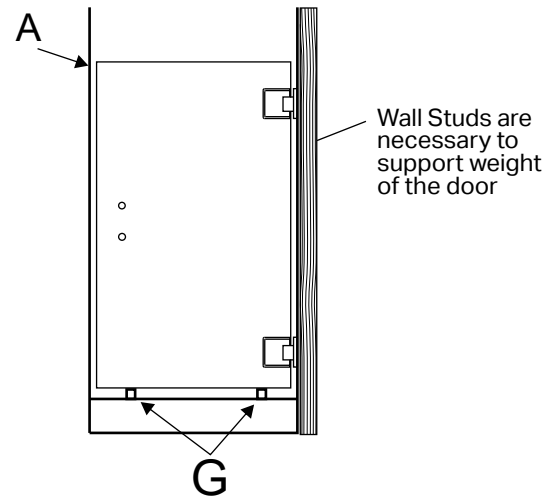


# 4

## LINING DOOR PANEL UP WITH CENTERLINE

- Place 1/2" black spacers (G) where the door will rest
- Line door panel (A) up with centerline found in step 3, then place door on top of the spacers.

Please have 2 people for this step!

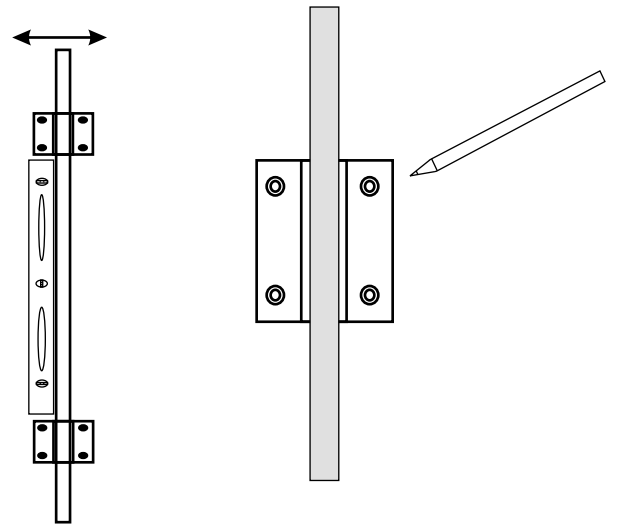


# 5

## MARKING HINGE PLACEMENT

- Place your level on the face of the glass
- Adjust glass till it is level
- Mark holes with a marker
- Remove door panel (A) and set aside for now

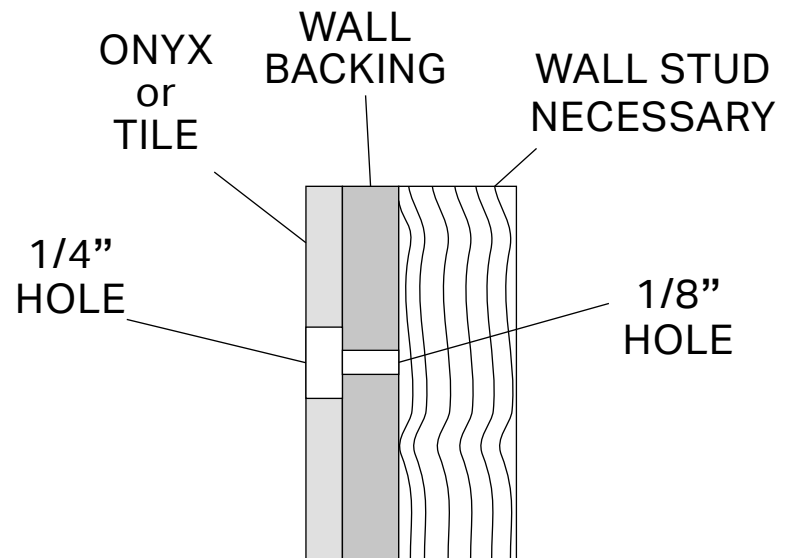
Please have two people for this step!



# 6

## PRE-DRILLING FOR HINGES

- Pre-drill holes through the finished wall using a 1/4" drill bit
- Pre-drill through wall backing using 1/8" drill bit
- Clean debris from threshold

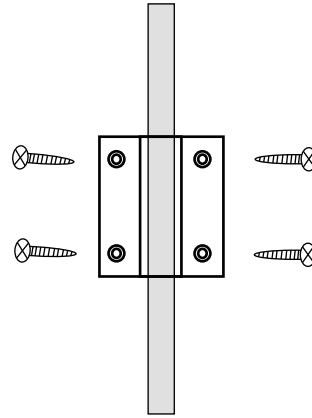


# 7

## ATTACHING HINGES TO WALL

- Replace door panel onto 1/ 2" black spacers
- Line hinges up with holes and screw into place using a #2 phillips screw driver ( **POWER DRILLS CAN RUIN THE FINISH OF THE HINGES** )

Please have two people for this step!

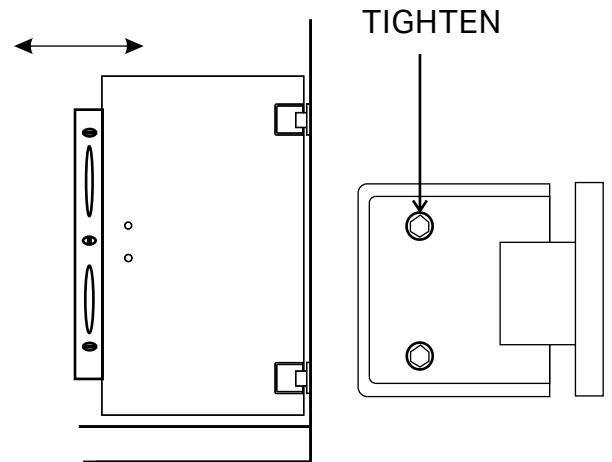


# 8

## LEVELING DOOR

- Place your level on the edge of the glass and adjust door so it is level
- Once door is leveled tighten the allen bolts on the hinges all the way

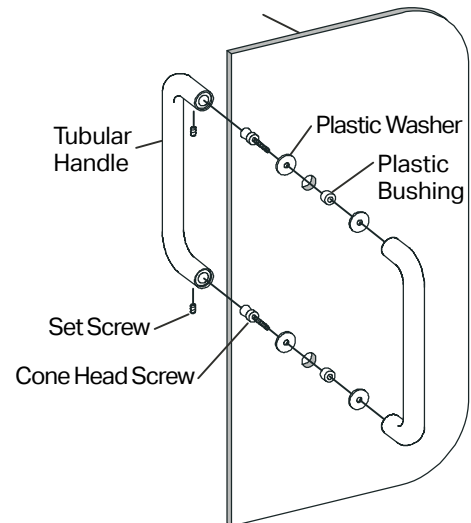
Please have two people for this step!



# 9

## INSTALLING HANDLE

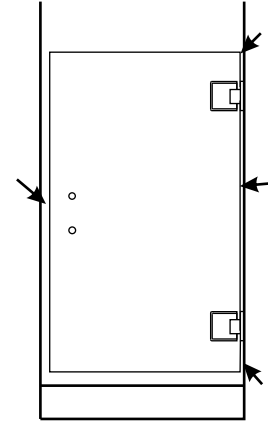
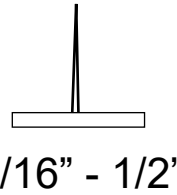
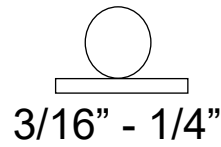
- Loosen set screws using a small allen wrench ( **BE CAREFUL NOT TO UNSCREW ALL THE WAY!**), then remove handle and unscrew cone head screws
- Place one plastic washer and one plastic bushing onto the cone head screw, slide screw through the top hole in the glass door, next place one plastic washer onto the screw then attach handle ( do not tighten all the way )
- Repeat above step for bottom hole then tighten all the way
- Slide handle over cone head screw then tighten set screws using the allen wrench



# 10

## INSTALLING GAP VINYL

- Measure the gap between the door panel and the wall. Select appropriate vinyl based on gap size.  
Clean and degrease the glass with isopropyl alcohol
- Trim the vinyl to length, place on edge of glass, and peel the tape off the vinyl while pressing the back against the glass
- Repeat steps for the hinge side of door

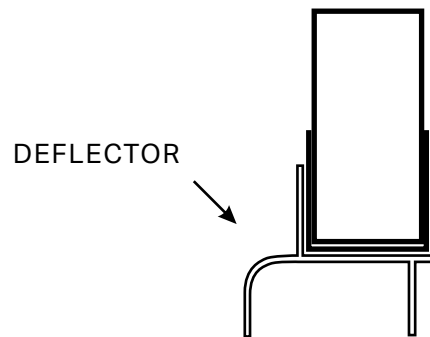


Leaving the door for 24 hours before closing will allow the tape on vinyls to achieve a maximum bond.

# 11

## INSTALLING DOOR SWEEP

- Measure door panel width
- Cut door sweep (E) to door panel width
- Slide door sweep onto bottom of door panel so the deflector leg is to the inside of the door.



INSIDE OF DOOR