

# Technical Specification

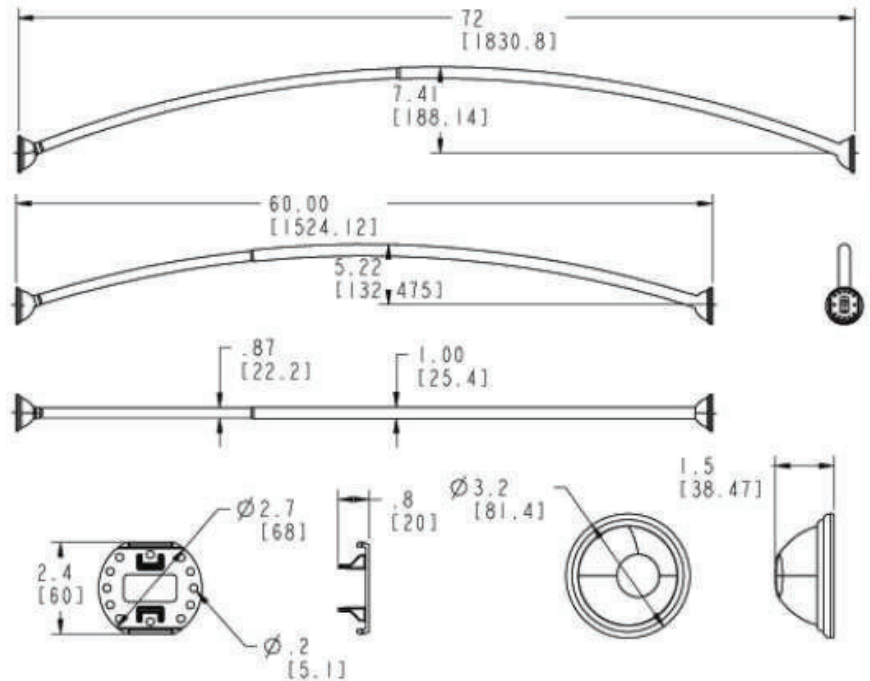
## Adjustable-Length Curved Shower Rod

# CSR2160

### Stock Numbers:

- CSR2160BN – Adjustable-Length Curved Shower Rod**  
Brushed Nickel Finish  
Adjusts to fit shower enclosures between 54-inches and 72-inches
- CSR2160CH – Adjustable-Length Curved Shower Rod**  
Chrome Finish  
Adjusts to fit shower enclosures between 54-inches and 72-inches
- CSR2160OWB – Adjustable-Length Curved Shower Rod**  
Old World Bronze Finish  
Adjusts to fit shower enclosures between 54-inches and 72-inches

### Dimensions:



### Materials:

**Brushed Nickel and Chrome Curved Shower Rods** are made of .028 (22 gauge) seamless type 304 stainless steel. **Old World Bronze Curved Shower Rods** are made of .028 (22 gauge) seamless type 430 stainless steel. **Brushed Nickel and Chrome Decorative Covers** are stamped from .020 type 304 stainless steel. **Old World Bronze Decorative Covers** are stamped from .020 type 443 stainless steel. **Pivoting Mounting Post** is made from powder-coated zinc. The **screw** in the pivoting post assembly is made from stainless steel. **Rod connector** is made from Polyethylene. **Decorative Cover Insert Rings** are made from POM.

Stock Number: \_\_\_\_\_ Adjustable-Length Curved Shower Rod By Creative Specialties



25300 AL MOEN DRIVE • NORTH OLMSTED, OH 44070  
CORPORATE HEADQUARTERS: (800) 321-8809 • FAX: (800) 848-6636  
INTERNATIONAL: (440) 962-2000 • FAX: (440) 962-2145  
CUSTOMER SERVICE (USA) : 800-882-0116 • FAX: (888) 379-2720  
WWW.MOEN.COM

© Copyright Creative Specialties International

Literature # BA1406

08/02/02 SPEC 19-855000107501  
Rev 00/01