

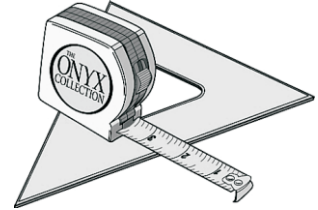
SHOWER DOORS

for Standard & Custom Showers

Included in this section:

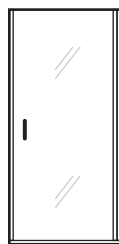
INFORMATION & SIZING

- ◆ Common Terms and Definitions
- ◆ How to Measure for Straight Showers
- ◆ How to Measure for Showers with Half Walls or Benches
- ◆ How to Find the Centerline of Corner Shower Curbs
- ◆ How to Determine Angles on Corner Showers

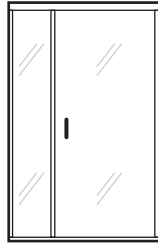


SEMI-FRAMELESS DOORS

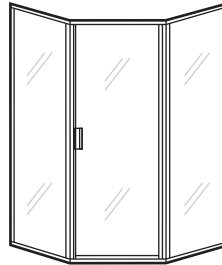
- ◆ Single Door
- ◆ Door with Panel
- ◆ Neo Angle
- ◆ Dual Curb
- ◆ Bench Seat Showers



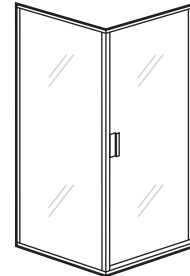
Page 4



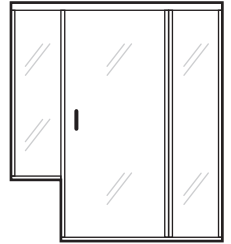
Page 6



Page 10



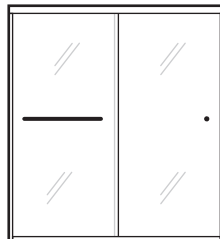
Page 12



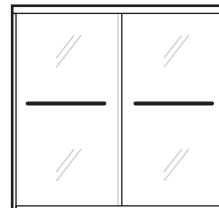
Page 7 & 9

By-Pass SLIDING DOORS

- ◆ Full Height for Showers
- ◆ Special Height for Tubs
- ◆ Bench Seat Showers



Page 14



Page 16

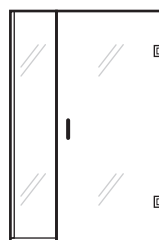


3/8" Glass - FULLY FRAMELESS

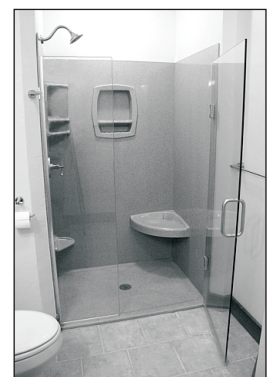
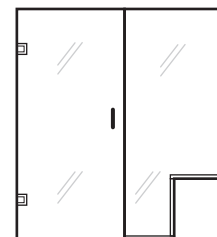
- ◆ Single Door
- ◆ Door with Panel
- ◆ Bench Seat Showers



Page 18



Page 18



SHOWER DOORS - Sizing & Installation

See the **STANDARD SHOWER** section for Base, Walls and Door Kit pricing

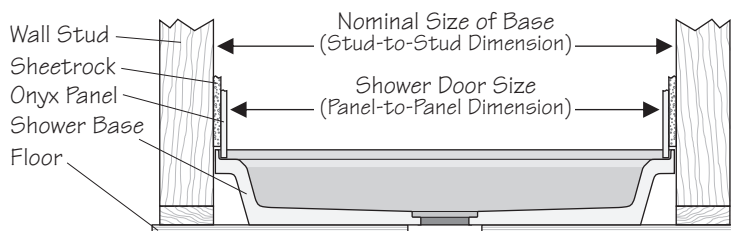
USE THE STANDARD or CUSTOM "SHOWER DOOR" ORDER FORMS TO ORDER ANYTHING IN THIS SECTION

- KEY:**
- ◆ **Level** - Being on a plane parallel to the horizon with no part higher than another
 - ◆ **Plumb** - Being perpendicular, or straight up, from the horizontal plane
 - ◆ **Centerline** - The line that divides the Shower Curb along which the glass panes will be positioned
 - ◆ **Lite** - Industry term for a Glass Panel
 - ◆ **Return Panel** - A Glass Panel that goes away from the front of the Shower
 - ◆ **Frameless Door** - Door Lite has no metal framing
 - Side Lites have framing on bottom and wall sides
 - ◆ **Semi-Frameless Door** - Door Lite has metal framing on hinge side only
 - Side Lites are framed on all sides



SHOWER DOOR SIZING - General

- ▶ When ordering a Door for any of our **Standard Showers**, simply state the size of the Shower Base as given in the catalog (for example, 36" x 36" Low Profile, or 36" x 32" Regular Profile).
- ▶ When ordering a Door for one of our **Custom Showers**, please issue a **SEPARATE Purchase Order #**, and include the Shower Base Order number on the Door Order Form as well.
- ▶ If ordering a Door for a **Shower not made by us**, specify if you are providing the Stud-to-Stud dimension (if not using our panels, specify panel/tile thickness), or the dimension between the finished walls (see drawing below).



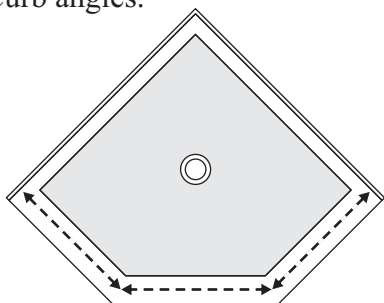
Subtract Sheetrock thickness (x2) + Panel thickness (x2) from Stud-to-Stud Dimension to determine Shower Door Width (Measure at the base and at 6' to make sure the walls are straight)

Measuring for Shower Doors

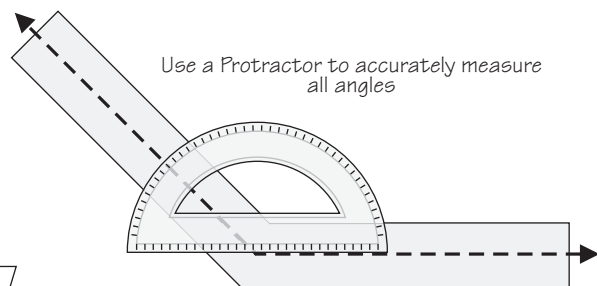
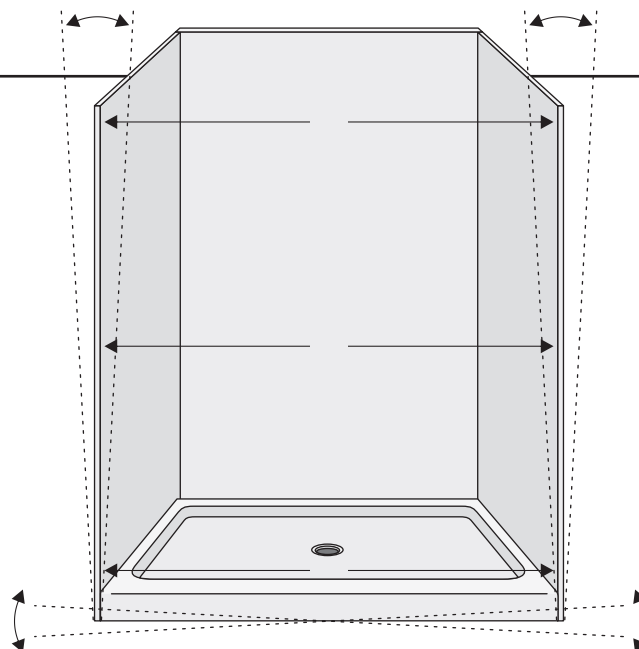
- ▶ Measure at the **BASE** of the opening.
- ▶ Measure **HALF WAY** between the base and the top.
- ▶ Measure at the **TOP** of the opening.
- ▶ Make sure Shower Base is level.
- ▶ Check the Side Walls for plumb.

For ANGLED CURB Showers

- ▶ Give the Centerline dimensions of the Angled Curb.
- ▶ Provide all Curb angles.



The Centerline is an imaginary line that divides the Shower Curb, along which the glass panes will be positioned.



See the **Ordering & Design Forms** section for Measuring Work Sheets

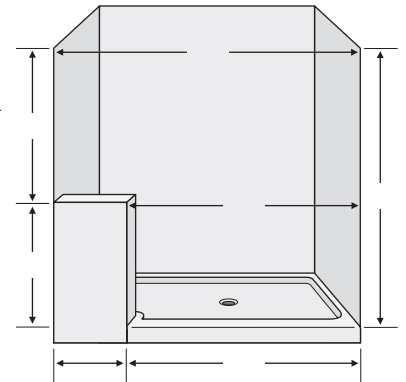
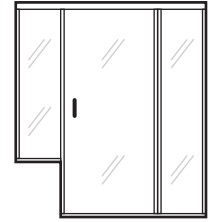
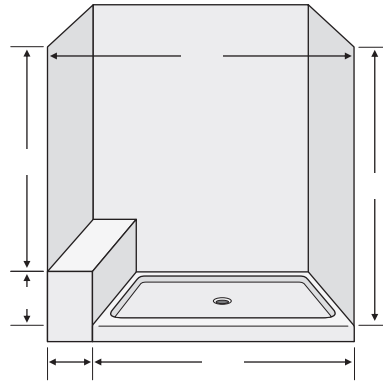
SHOWER DOORS - Sizing & Installation

See the STANDARD SHOWER section for Base, Walls and Door Kit pricing
USE THE STANDARD or CUSTOM "SHOWER DOOR" ORDER FORMS TO ORDER ANYTHING IN THIS SECTION

Measuring for HALF WALLS and BENCHES

Straight Line Shower Door

- ▶ Make sure the Shower Base is level
- ▶ Check Half Wall for Level (left/right)
- ▶ Check the Side Walls for plumb
- ▶ Measure the opening just above the Shower Base
- ▶ Measure the opening at the top of the Shower
- ▶ Measure just above the top of the Bench or Wall
- ▶ Measure Bench Seat slope (left/right)

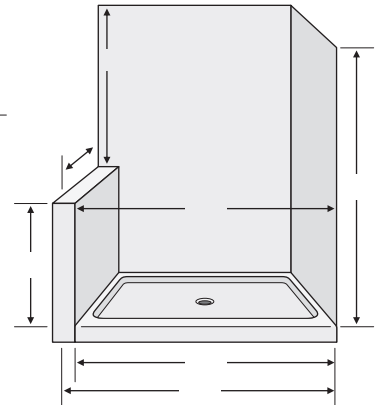
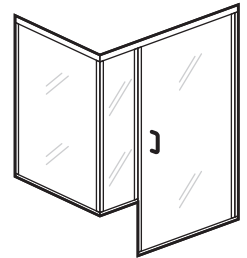
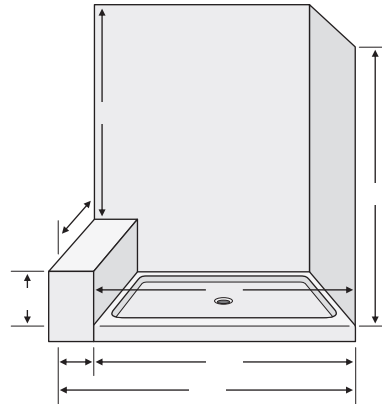


See the Ordering & Design Forms section for Measuring Work Sheets

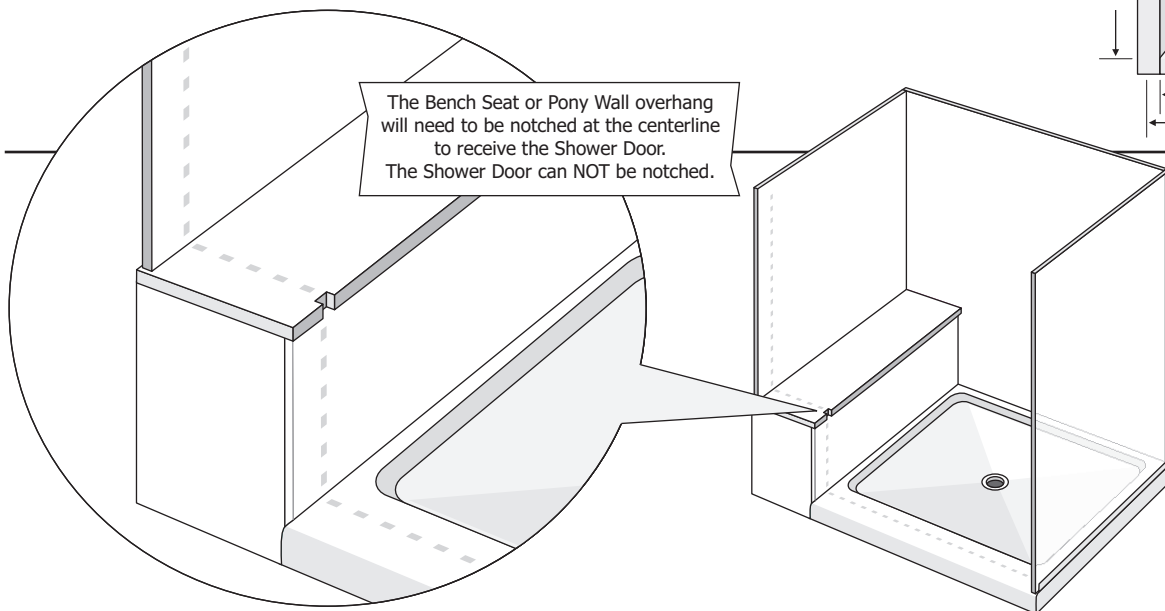
Measuring for HALF WALLS and BENCHES

Shower Door with Return Panel

- ▶ Make sure the Shower Base is level
- ▶ Check Half Wall for Level (left/right & front/back)
- ▶ Check the Back and Side Walls for plumb
- ▶ Measure the opening just above the Shower Base
- ▶ Measure just under the top of the Bench or Wall
- ▶ Measure for the Centerline of where the glass will sit along the Half Wall or Bench
- ▶ Measure Bench Seat slope (left/right & front/back)



The Bench Seat or Pony Wall overhang will need to be notched at the centerline to receive the Shower Door. The Shower Door can NOT be notched.





THE ONYX COLLECTION

Belvue, KS 66407-9664 * (785) 456 8604 * FAX (785) 456-8204 * www.onyxcollection.com

Straight Curb Shower Measuring Guide For Shower Doors

Left Wall Leans

In Out

"

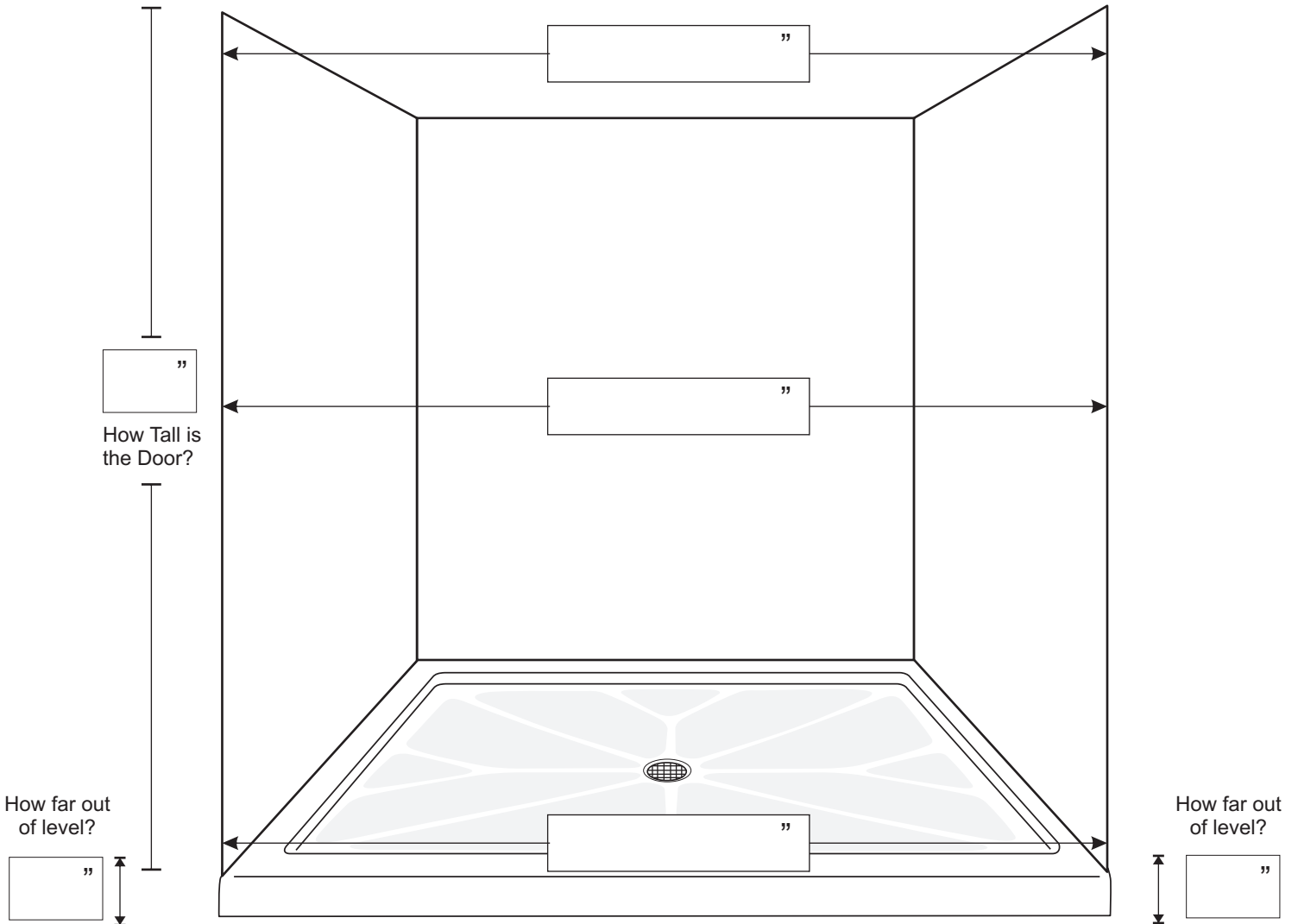
How Much
does it Lean?

Right Wall Leans

In Out

"

How Much
does it Lean?



Base Level

- Left Side Low
- Left Side High

Base Level

- Right Side Low
- Right Side High



THE ONYX COLLECTION

Belvue, KS 66407-9664 * (785) 456 8604 * FAX (785) 456-8204 * www.onyxcollection.com

Double Curb Shower Measuring Guide For Shower Door

Left Wall Leans

In Out

Right Wall Leans

In Out

How Much
does it Lean?

How Much
does it Lean?

How Tall is
the Door?

Base Level
Low Side
High Side

How for out
of level is
the base?

Base Level
Low Side
High Side

How for out
of level is
the base?

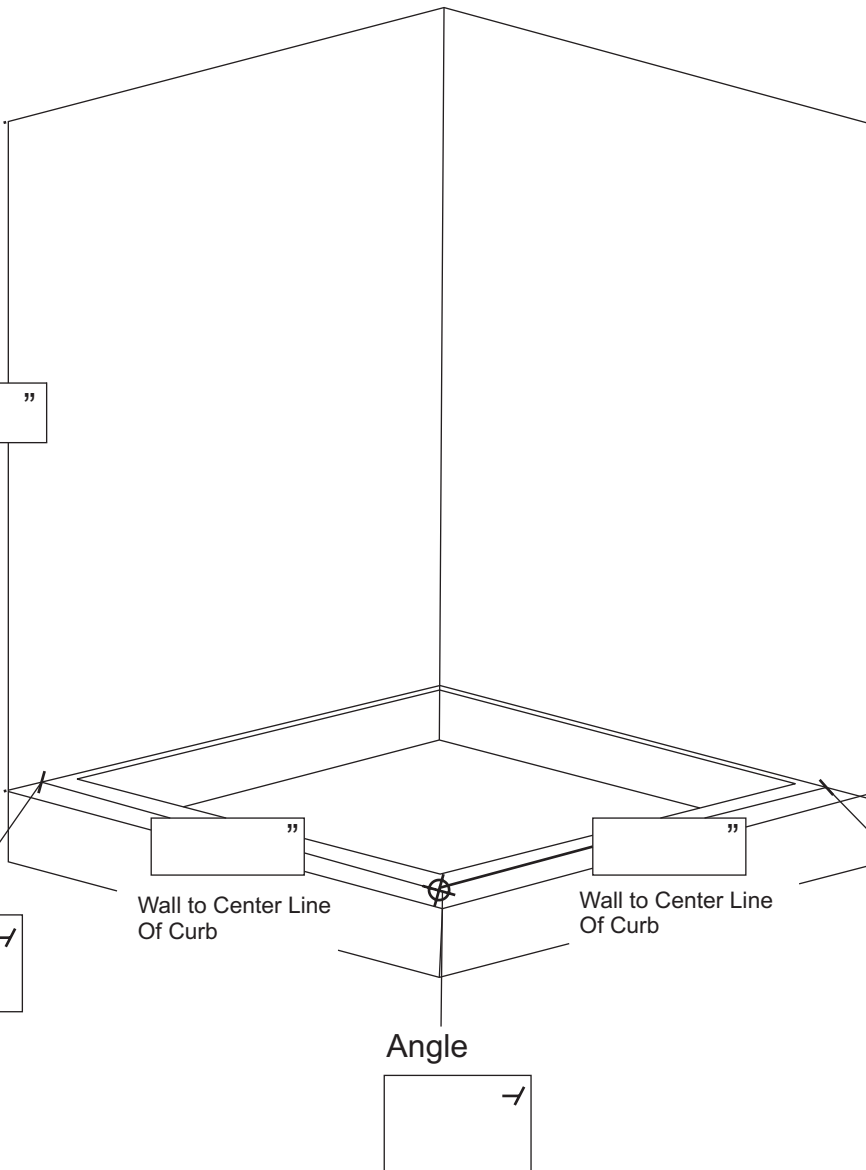
Angle

Wall to Center Line
Of Curb

Wall to Center Line
Of Curb

Angle

Angle





THE ONYX COLLECTION

Belvue, KS 66407-9664 * (785) 456 8604 * FAX (785) 456-8204 * www.onyxcollection.com

Three Sided Curb Shower Measuring Guide For Shower Door

Left Wall Leans

In Out

How Much does it Lean?

"

Right Wall Leans

In Out

How Much does it Lean?

"

How Tall is the Door?

"

Base Level
Low Side
High Side

How for out of level is the base?

"

Base Level
Low Side
High Side

How for out of level is the base?

""

Wall to Center Line Of Curb

"

Angle

"

Center Line to Center Line

"

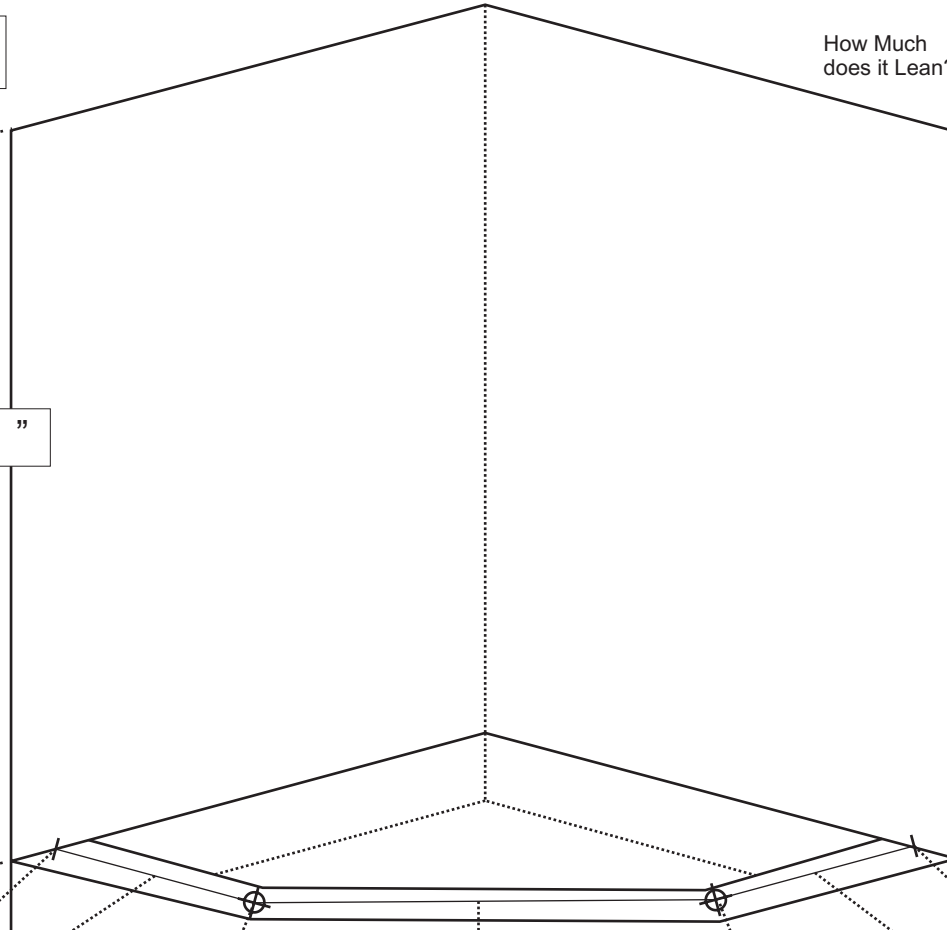
Angle

"

Wall to Center Line Of Curb

"

Angle





THE ONYX COLLECTION

Belvue, KS 66407-9664 * (785) 456 8604 * FAX (785) 456-8204 * www.onyxcollection.com

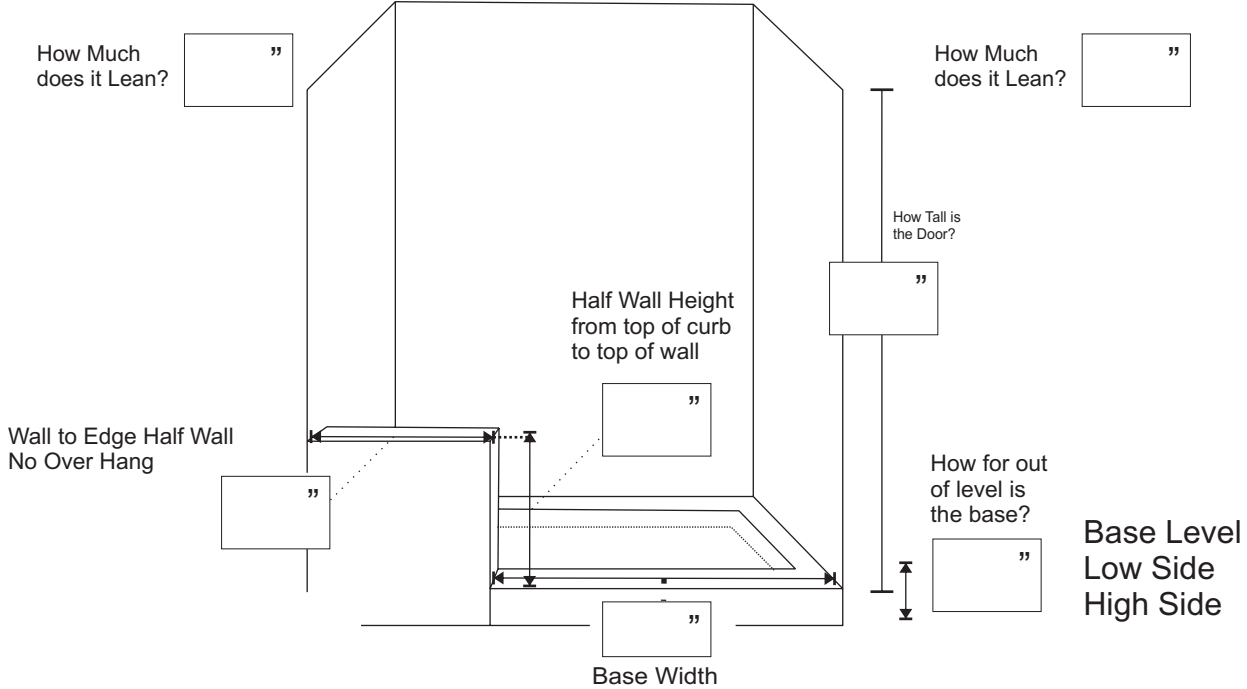
Single Curb w/ Inline Buttress Shower Measuring Guide For Shower Door

Left Wall Leans

In Out

Right Wall Leans

In Out

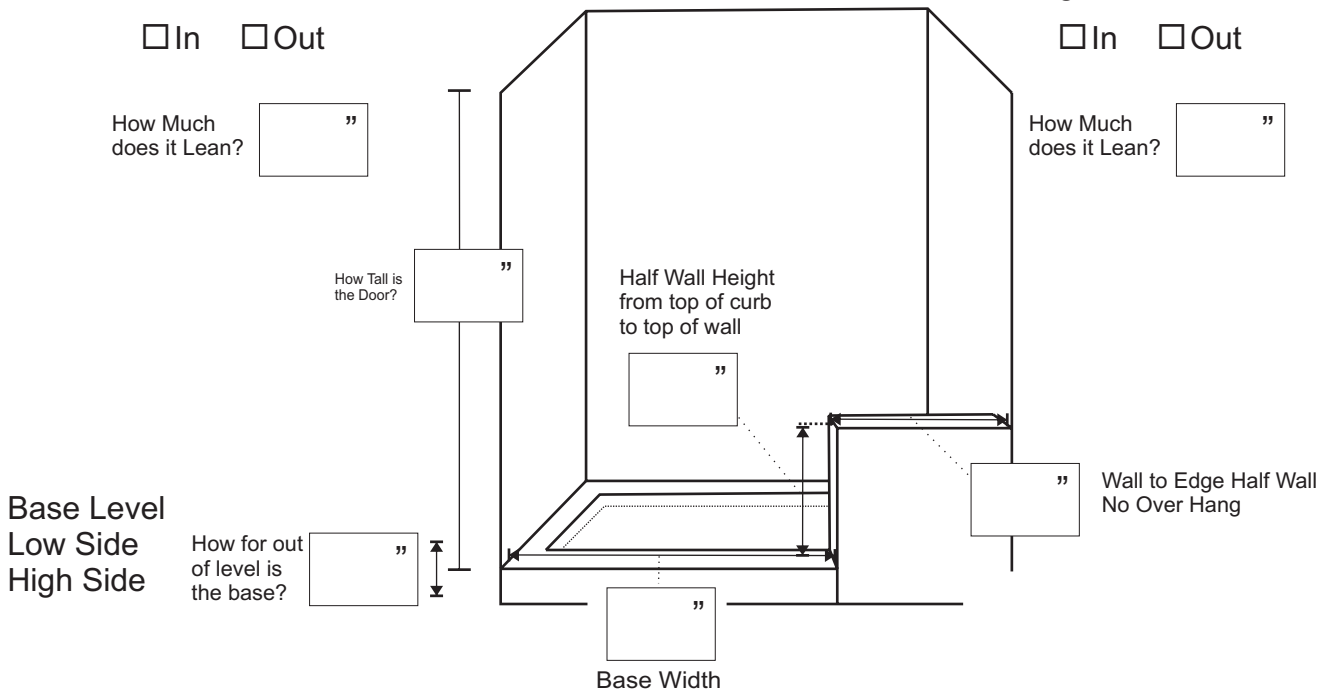


Left Wall Leans

In Out

Right Wall Leans

In Out





THE ONYX COLLECTION

Belvue, KS 66407-9664 * (785) 456 8604 * FAX (785) 456-8204 * www.onyxcollection.com

Single Curb Shower w/ Buttress Return Measuring Guide For Shower Door

Left Wall Leans

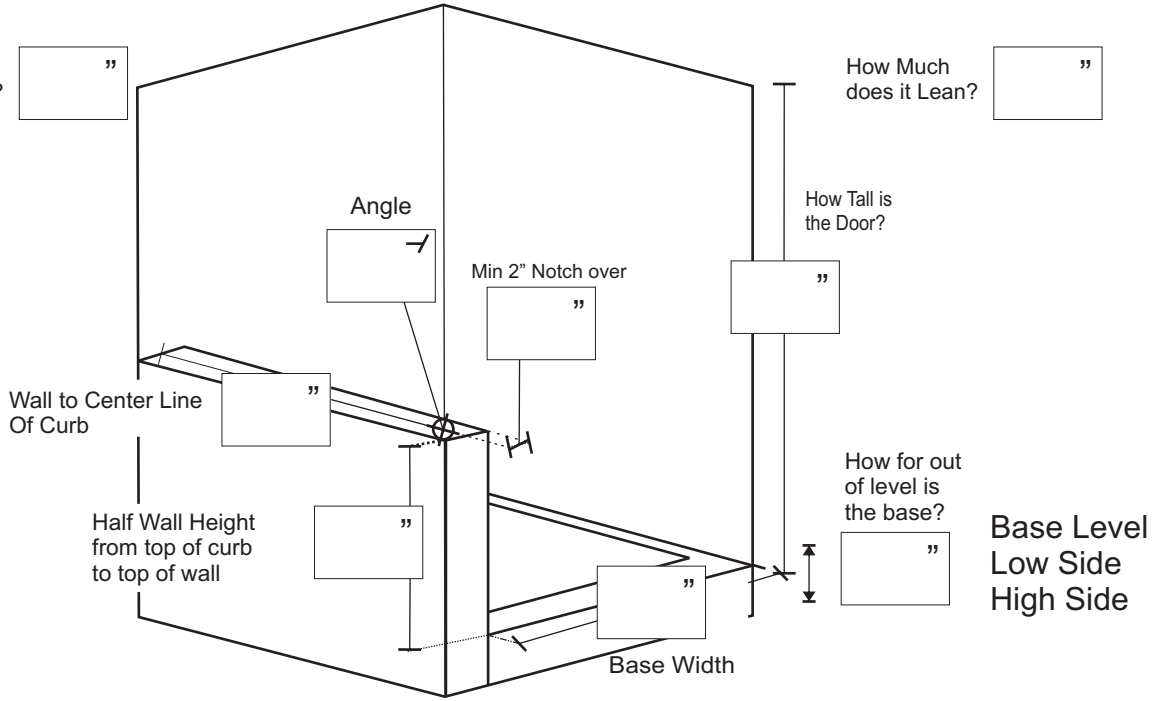
In Out

Right Wall Leans

In Out

How Much does it Lean? "

How Much does it Lean? "



Left Wall Leans

In Out

Right Wall Leans

In Out

How Much does it Lean? "

How Much does it Lean? "

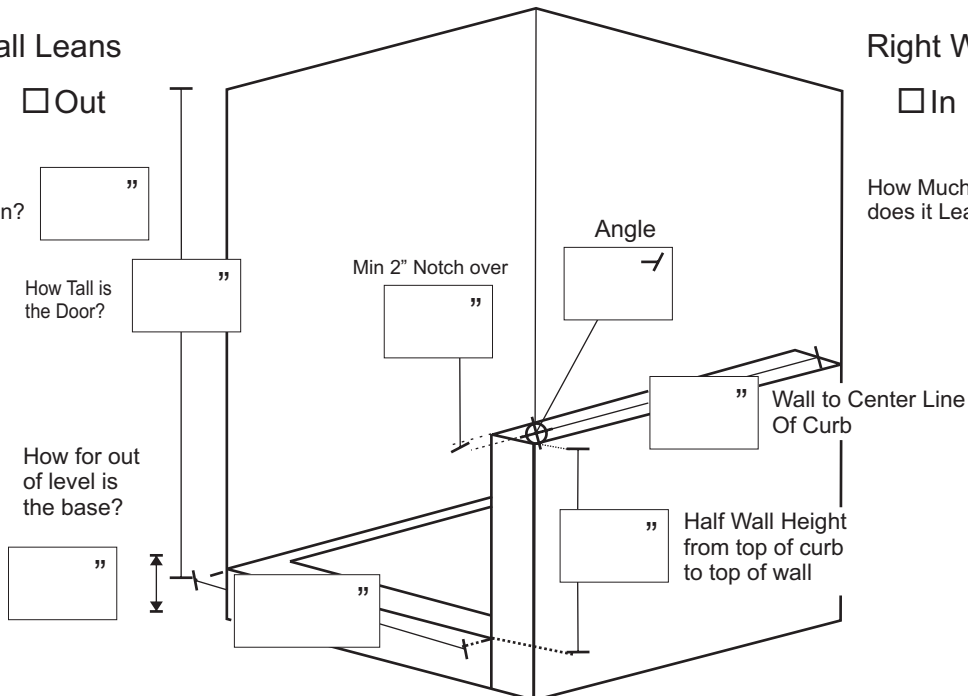
How Tall is the Door? "

Min 2" Notch over "

Angle

How for out of level is the base? "

Base Level Low Side High Side





THE ONYX COLLECTION

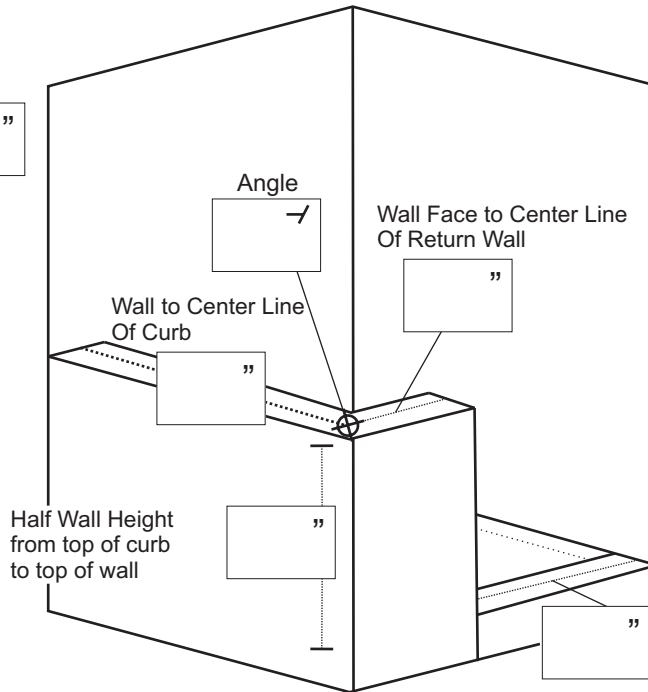
Belvue, KS 66407-9664 * (785) 456 8604 * FAX (785) 456-8204 * www.onyxcollection.com

Single Curb Shower w/ Inline Buttress and Return Measuring Guide

Left Wall Leans

In Out

How Much does it Lean? "



Right Wall Leans

In Out

How Much does it Lean? "

How Tall is the Door? "

Base Level
Low Side
High Side

How for out of level is the base? "



Left Wall Leans

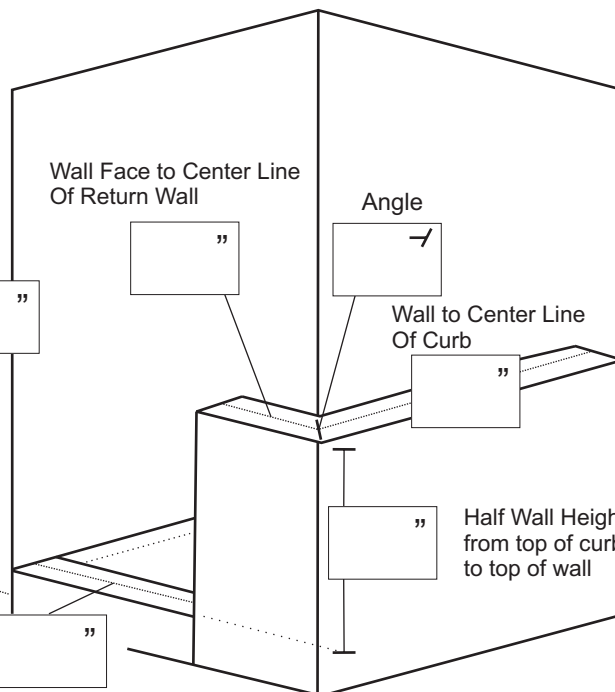
In Out

How Much does it Lean? "

How Tall is the Door? "

Base Level
Low Side
High Side

How for out of level is the base? "



Right Wall Leans

In Out

How Much does it Lean? "