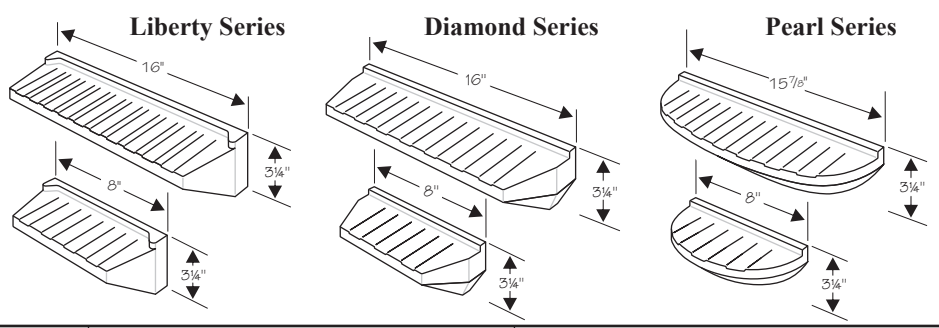


# SURFACE SHELF INSTALLATION



**Installation Videos** available on our website

<p><b>1 Caddy Location</b></p> <p>Position the Surface Mount Caddy and mark the wall panel just above the center of the caddy. If possible, use a piece of tape to mark the location of the ends of the caddy.</p>	<p>Recommended Caddy Height</p>	<p>In most cases, a height between the "waist level" and "eye level" reference works best for both usability and appearance.</p>
<p><b>2 Drilling Holes</b></p> <p>Measure down 1/2" from the mark and, using a level, mark a level line about 12" long. This line will be used to position the top of the brackets.</p>		<p>Always drill a 1/4" clearance hole through the Onyx wall panel and never screw directly into the Onyx material. Note: Bracket spacing varies from 8" to 12" depending on shelf style used. The small shelves are about 5" apart.</p>
<p><b>3 Attaching the Bracket</b></p> <p>Attach a mounting bracket at each end of the 12" line. Drill a 1/4" clearance hole through the Onyx wall panel. Attach the brackets with the supplied screws. If no wood backing is available, use the supplied anchors. Do not over tighten - just tighten enough so that the bracket is snug.</p>		<p>If the screw is not able to hit a wall stud, anchors can be used. Do not over tighten the screw because this may crack the Onyx Panel.</p>
<p><b>4 Mounting the caddy</b></p> <p>Dry-fit the caddy and make sure the caddy rests in a level position. As needed, bend the brackets slightly to level the caddy. Remove the caddy and apply a small bead of adhesive silicone around the back side of the caddy, trying to keep the silicone away from the edges. Position the caddy on the brackets and gently press the caddy against the wall. It is likely that some silicone will come out. Use rubbing alcohol and a paper towel to clean up any excess silicone.</p>		<p>Leave about and 1/8" gap around the edge and the silicone so that it doesn't squeeze out when the shelf is pressed against the wall. To help clean up any excess silicone, have a bottle of rubbing alcohol and a roll of paper towels available.</p>
<p><b>5 Securing &amp; Sealing</b></p> <p>If needed, use tape to secure the caddy in place while the silicone cures. Seal all the edges of the caddy with color matched silicone.</p>		<p>To smooth out a seamfill bead with your finger, dampen a paper towel with rubbing alcohol and then dampen your finger. Next, run your finger along the bead of seamfill, wiping any excess silicone onto the paper towel. The rubbing alcohol will keep the silicone from smearing.</p>