

# Technical Specification

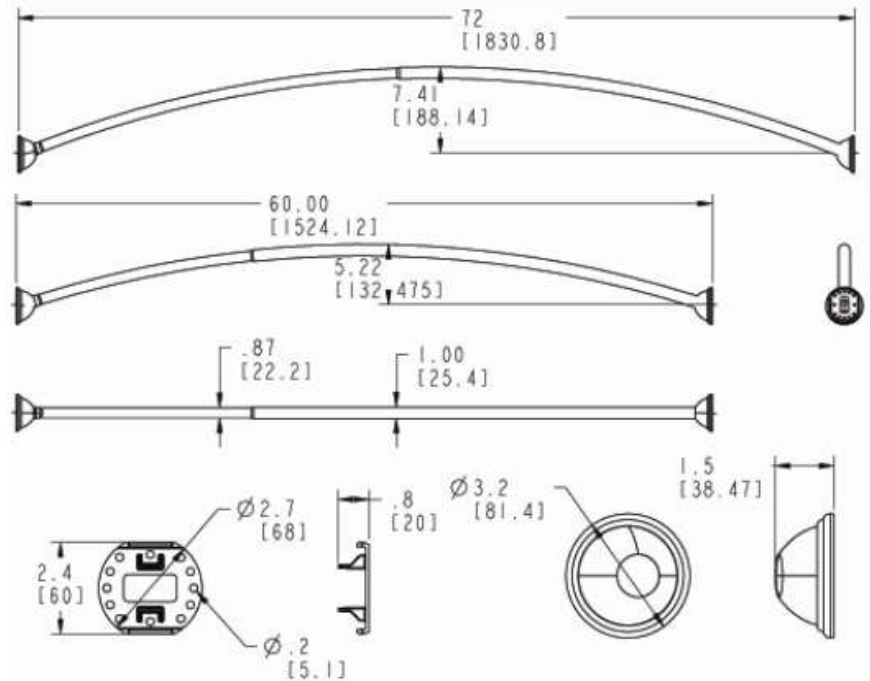
## Adjustable-Length Curved Shower Rod

# CSR2160

### Stock Numbers:

- ❑ **CSR2160BN – Adjustable-Length Curved Shower Rod**  
Brushed Nickel Finish  
Adjusts to fit shower enclosures between 54-inches and 72-inches
- ❑ **CSR2160CH – Adjustable-Length Curved Shower Rod**  
Chrome Finish  
Adjusts to fit shower enclosures between 54-inches and 72-inches
- ❑ **CSR2160OWB – Adjustable-Length Curved Shower Rod**  
Old World Bronze Finish  
Adjusts to fit shower enclosures between 54-inches and 72-inches

### Dimensions:



### Materials:

**Brushed Nickel and Chrome Curved Shower Rods** are made of .028 (22 gauge) seamless type 304 stainless steel. **Old World Bronze Curved Shower Rods** are made of .028 (22 gauge) seamless type 430 stainless steel. **Brushed Nickel and Chrome Decorative Covers** are stamped from .020 type 304 stainless steel. **Old World Bronze Decorative Covers** are stamped from .020 type 443 stainless steel. **Pivoting Mounting Post** is made from powder-coated zinc. The **screw** in the pivoting post assembly is made from stainless steel. **Rod connector** is made from Polyethylene. **Decorative Cover Insert Rings** are made from POM.

**Stock Number:** \_\_\_\_\_ Adjustable-Length Curved Shower Rod By Creative Specialties