



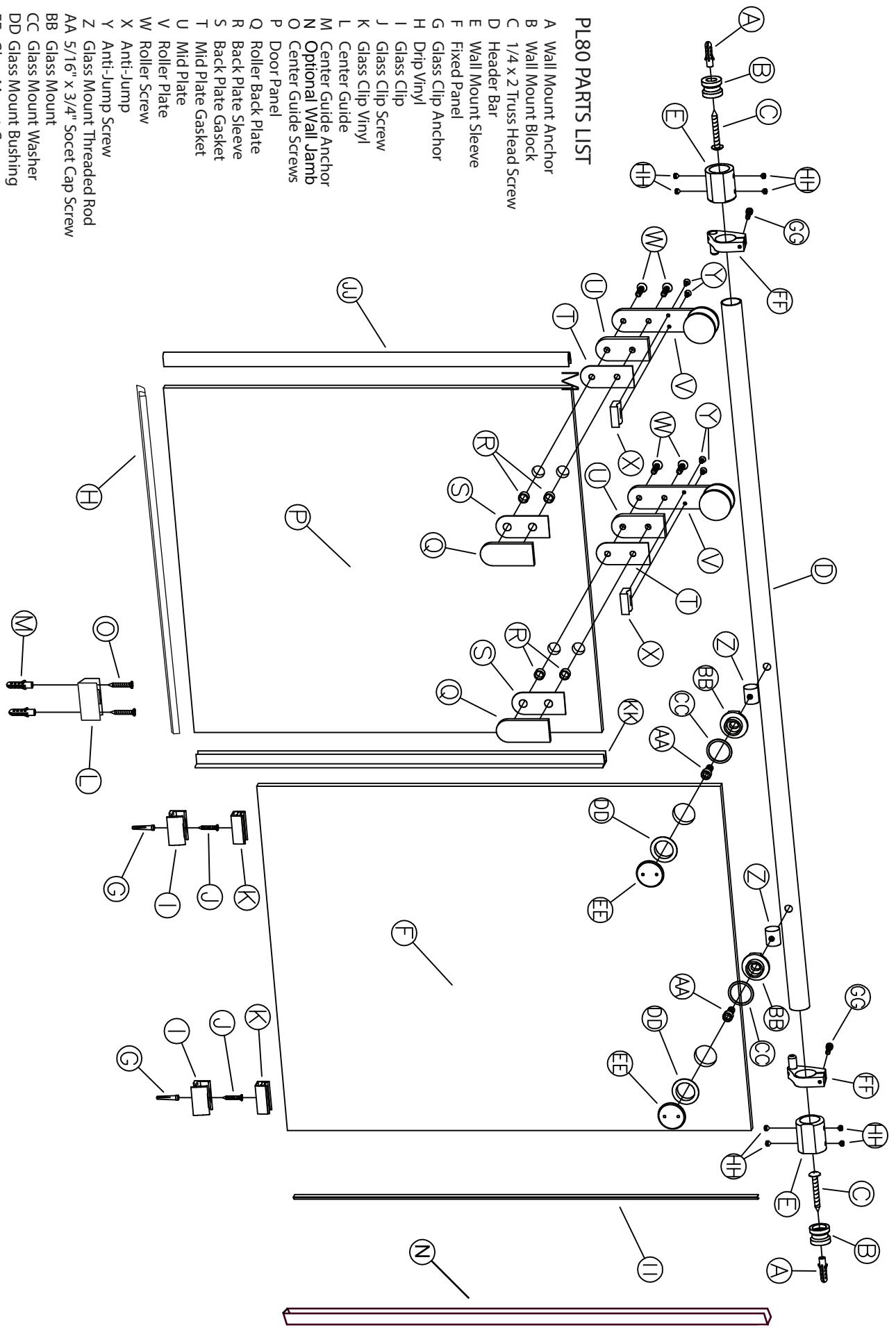
Elegance for your bath

INSTALLATION
INSTRUCTIONS

ProLine PL80 HEAVY FRAMELESS BYPASS BATH ENCLOSURE



- PL80 PARTS LIST**
- A Wall Mount Anchor
 - B Wall Mount Block
 - C 1/4 x 2 Truss Head Screw
 - D Header Bar
 - E Wall Mount Sleeve
 - F Fixed Panel
 - G Glass Clip Anchor
 - H Drip Vinyl
 - I Glass Clip
 - J Glass Clip Screw
 - K Glass Clip Vinyl
 - L Center Guide
 - M Center Guide Anchor
 - N Optional Wall Jamb
 - O Center Guide Screws
 - P Door Panel
 - Q Roller Back Plate
 - R Back Plate Sleeve
 - S Back Plate Gasket
 - T Mid Plate Gasket
 - U Mid Plate
 - V Roller Plate
 - W Roller Screw
 - X Anti-Jump
 - Y Anti-Jump Screw
 - Z Glass Mount Threaded Rod
 - AA 5/16" x 3/4" Socket Cap Screw
 - BB Glass Mount
 - CC Glass Mount Washer
 - DD Glass Mount Bushing
 - EE Glass Mount Cap
 - FF Stopper
 - GG Stopper Screw
 - HH Wall Mount Set Screw
 - II Wall Seal
 - JJ Bulb Vinyl
 - KK Panel Seal



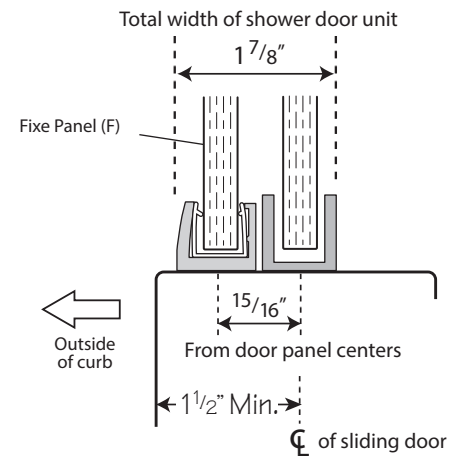
Notes:

– This is a two person installation.

FOOT PRINT -

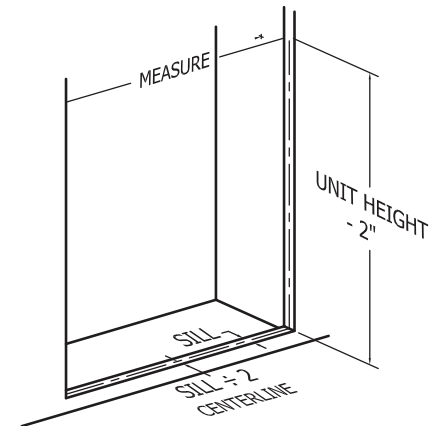
The width of the Door unit's base is $2 \frac{1}{16}$ "
Consider these measurements before drilling.

All marks made on tile, marble or fiberglass should be made lightly in pencil so they can be removed after the installation is complete.
An optional method is to use masking tape on the walls and sill that can be removed as the installation progresses.

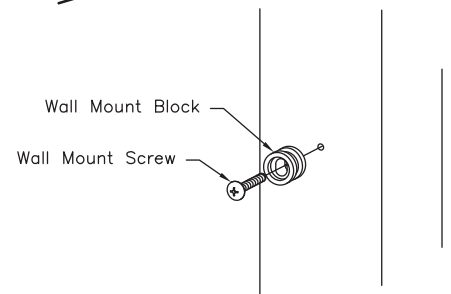


Establish Centerlines

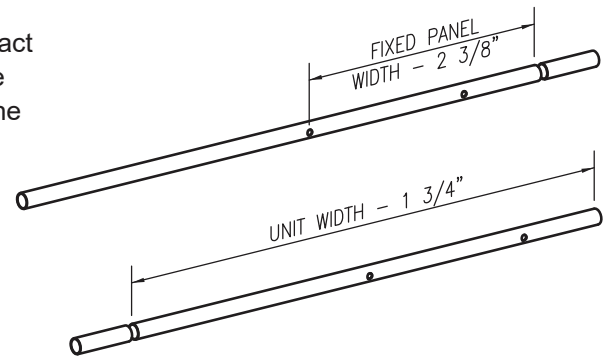
- 1 • The centerlines of the door must be established on the shower sill and on the walls as well. (See diagram top of page)
 - Measure the width of the shower sill and mark the centerline down the middle. (This needs to be at least $1 \frac{1}{2}$ " from outside of curb edge)
 - Transfer the centerline to the walls using a level. Mark Header Bar [D] location at 2" less than the unit height, on the centerline.
 - Measure, and write down, the distance between the two Wall Mount marks.



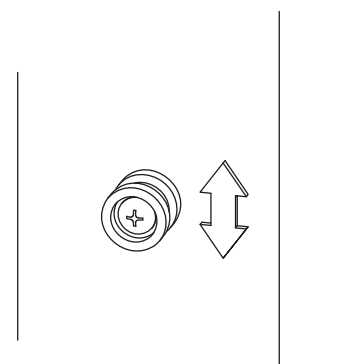
- 2 Bar Mount – Drill the Wall Mount holes $\frac{5}{16}$ ". Insert the Wall Anchors [A] fully into the holes. Place the Wall Mount Blocks [B] against the wall with the counter bore to the middle of the enclosure. Using the $\frac{1}{4}$ x 2" Truss head screws [C], attach the Wall Mount Block to the wall, with the slot in a vertical position and the screw centered in the block.



- 3 Bar Length - Measure the width of the fixed glass panel [F]. Subtract $2 \frac{3}{8}$ " from that dimension. Measure from the center of the middle hole in the bar to the fixed panel end of the bar and cut that end off (The fixed panel end is the one with the second hole in it). Now subtract $1 \frac{3}{4}$ " from the measurement taken in step 1, which is the overall width of the shower opening at the top. Then take that measure from the newly cut end of the bar to the uncut end and cut that end off of the bar.

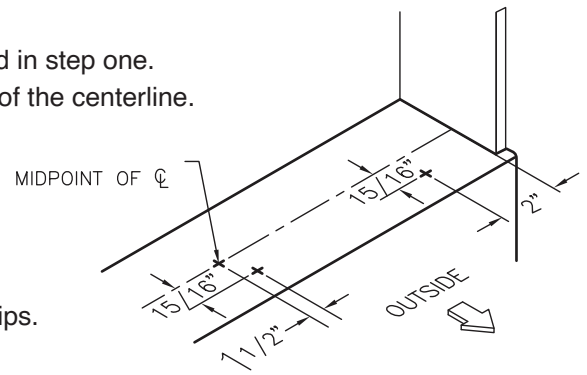


- 4 Level the Bar – Temporarily place the Wall Mount Sleeves [E] on each end of the Header Bar. Align the Header Bar with the Wall Mount. Place Block, and slide the Wall Mount Sleeves over the Wall Mount Blocks. a level on the center of the Header Bar and check for level. If needed the Wall Mount Blocks can be raised, or lowered to make the Header Bar level. Once leveled, remove the Header Bar from the Wall Mount Blocks, and the Wall Mount Sleeves from the Header Bar. NOTE: A slight downward tilt on the door side of the Header Bar will help keep the door in the closed position while in use. A downward tilt on the Fixed Panel side will cause the door to open, allowing water leakage.

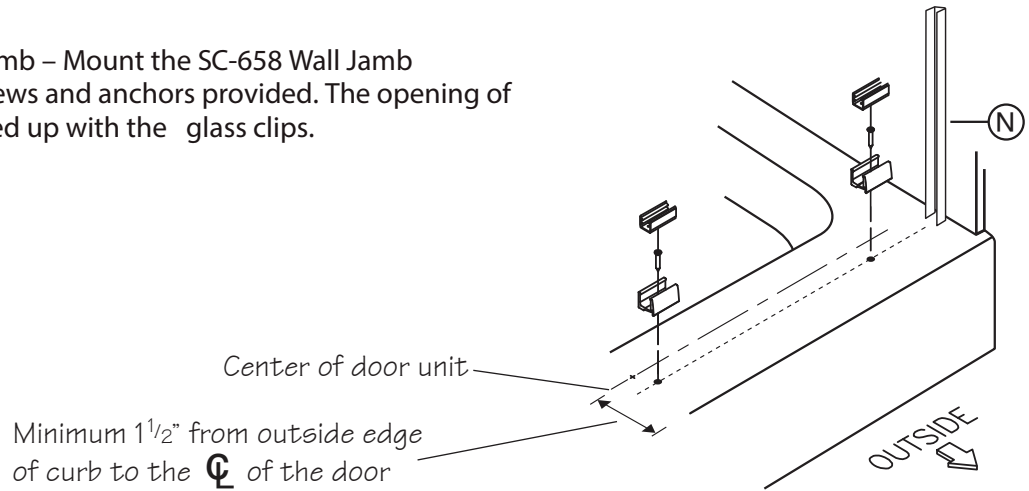


Glass Door Clips

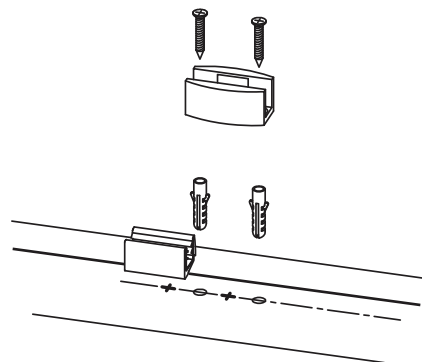
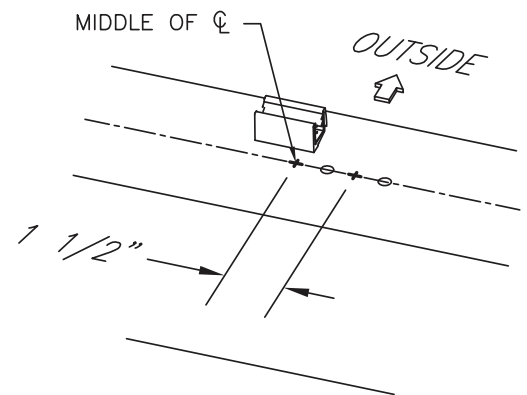
- Mark the center point (side to side) of the sill along the centerline established in step one.
- Make a mark $1\frac{1}{2}$ " in toward the Fixed Panel [F] wall side and $\frac{15}{16}$ " outside of the centerline.
- Make another mark 2" in from the wall and $\frac{15}{16}$ " outside of the centerline.
Drill a $\frac{1}{4}$ " hole at each of these marks.
- Clean the area around the holes and put a little silicone into each hole.
- Press the Glass Clip Anchors [G] into the hole until fully seated.
- Put a little silicone into each anchor.
- Install the Glass Clips to the sill. Install the Vinyl Inserts [K] into the Glass Clips.



If using the optional Wall Jamb – Mount the SC-658 Wall Jamb [N] to the wall, using the screws and anchors provided. The opening of the wall jamb should be lined up with the glass clips.

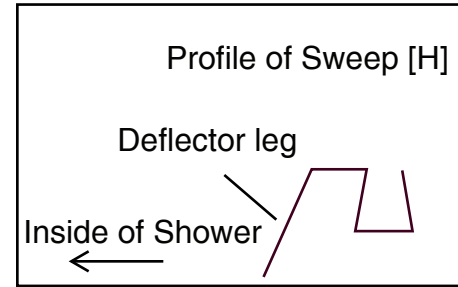
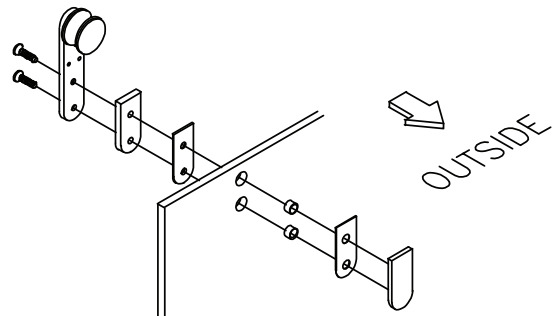


6 Center Guide – Make a mark on the centerline approximately $1\frac{1}{2}$ " toward the door side. Place the Center Guide [L] on the new mark, centered on the mark. Mark the center of the attachment holes and, remove the Center Guide. Drill two $\frac{5}{16}$ " holes at the center guide attachment locations. Clean the area around the holes and put a little silicone into each hole. Press the Center Guide Anchors [M] into the holes until the lip is flush with the sill. Put a little silicone into each anchor. Mount the Center Guide with the Center Guide Screws [O].



7 Door Panel – Mount the roller assemblies to the Door Panel [P], making sure that the Roller Back Plate [Q], the Back Plate Sleeve [R] and the Back Plate Gasket [S] are to the outside. The Back Plate Gasket has the large holes. Place a Mid Plate Gasket [T] and the Mid Plate [U] on the inside of the glass and secure the Roller Plate [V] to the entire assembly with the Roller Screws [W]. Set aside the Anti-Jump [X] piece and Anti-Jump Screws [Y] until after the door has been mounted to the header Bar. Install your handle option at this time. Install the sweep [H] with the deflector leg to the inside of the door, then, place the Door Glass inside the shower enclosure with the Rollers facing out and the handle so that it is on the side of the enclosure that the door will strike against.

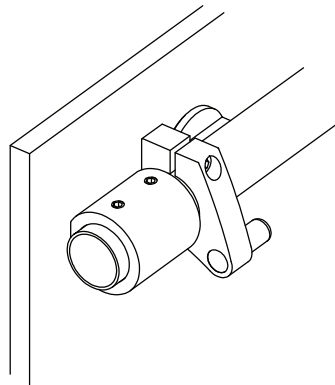
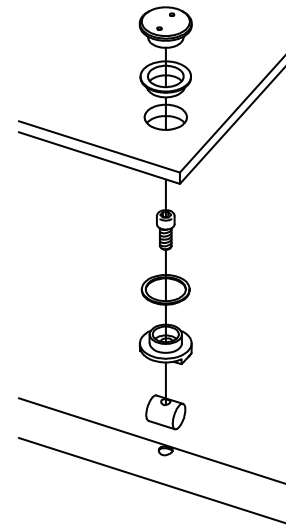
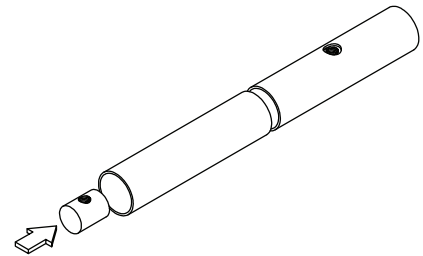
CAUTION: Make sure that you set the Door Glass on something so that the glass and/or the floor of the enclosure are not damaged. Cardboard packing material works fine.



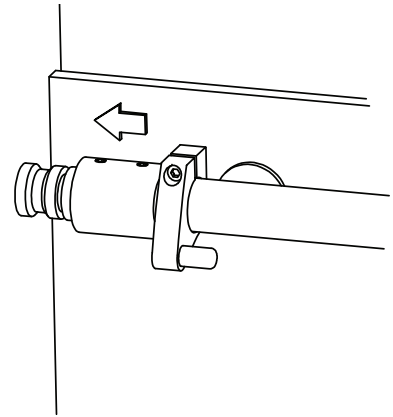
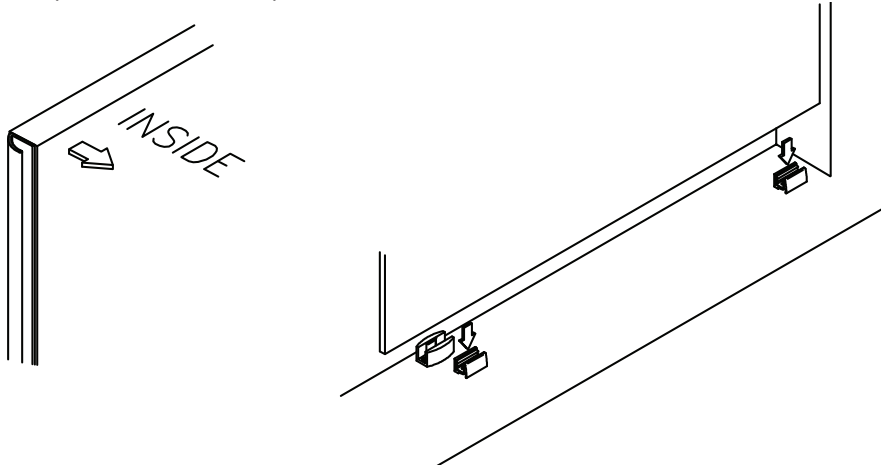
8 Load the Bar – Place the Fixed Panel [F] on a flat surface with the mounting holes hanging off the edge, and the inside of the panel facing down. Place the Header Bar [D] on the Fixed Panel with the holes facing up (The header may come pre-loaded). Using a thin rod, or straightened wirecoat hanger, push the Glass Mount Threaded Rods [Z] into the end of the Header Bar and line one up with each hole in the bar. Put a 5/16" x 3/4" Socket Cap Screw [AA] through the Glass Mount [BB] and snug it down into a rod inside the Header Bar (**DO NOT TIGHTEN**).

Place a Glass Mount Washer [CC] on top of the Glass Mount. Repeat for the other hole. Place a Glass Mount Bushing [DD] on each of the Glass Mount Caps [EE]. Move the Header Bar below the glass panel and Line the middle hole of the bar up with the hole located 1 1/2" from the edge of the Fixed Panel. Thread the Wall Mount Caps onto the Wall Mounts until Snug (**DO NOT TIGHTEN**) Place a Stopper [FF] on both ends of the Header Bar with the rubber bumper on each facing the middle of the bar (oriented as shown). Slide them toward the middle and snug the Stopper Screw [CC] (**DO NOT TIGHTEN**). Slide a Wall Mount Sleeve [E] on both ends of the Header Bar, and snug one Set Screw [HH] (**DO NOT TIGHTEN**).

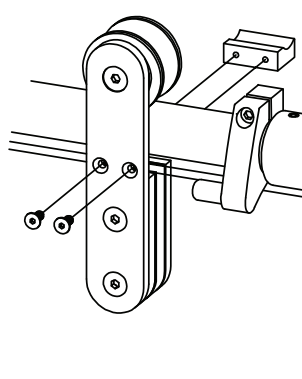
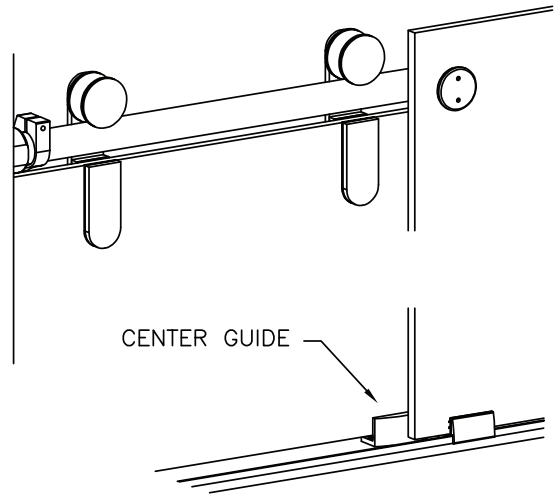
NOTE: There are two flat surfaces on the Wall Mount Sleeve, one is on the end of the sleeve and that goes towards the end of the Header Bar, and the other is on the side of the sleeve and that one goes between the Fixed Glass and the Header Bar.



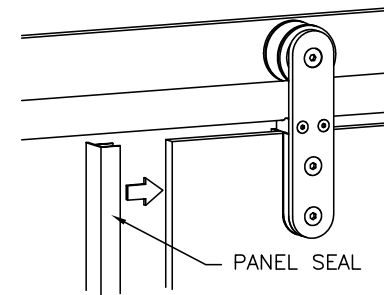
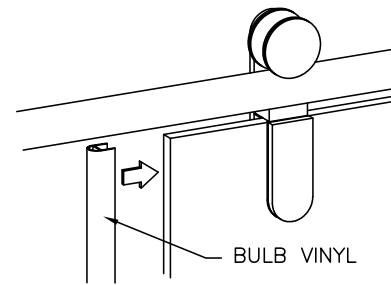
9 Fixed Panel Installation - Install the “peel-and-stick” Wall Seal [I] on the wall side edge of the Fixed Panel. **DO NOT INSTALL THE WALL SEAL IF FIXED PANEL IS ADJACENT TO A RETURN GLASS PANEL!** Orient it with the open end to the inside of the enclosure. Lift the Fixed Panel and set it in the Glass Clips with the edge as tight to the wall as possible. Loosen the Set Screws in the wall mount sleeves and slide them over the Wall Mount Blocks. Snug the Set Screws into the block (DO NOT TIGHTEN).



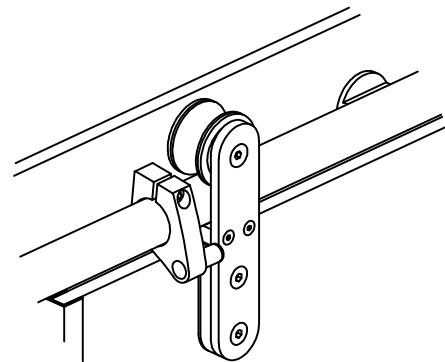
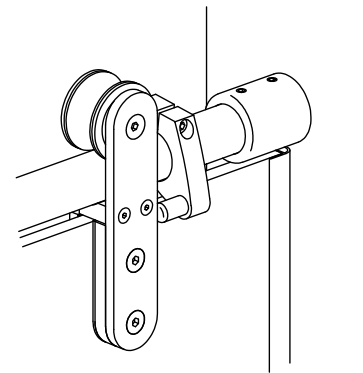
10 Door Panel Installation – Lift the Door Panel [P] and place the rollers on the bar, making sure to get the bottom edge of the Door Glass into the Center Guide. To adjust the door glass height, Adjustments must be made to the Bar height. Adjustments can be made in the wall mount blocks (See step 4) as well as the Glass Mounts. Once you have the Header Bar set as you want it, and the Fixed Panel positioned correctly, tighten the Wall Mount Set Screws, then the Glass Mount Screws and Caps. **CAUTION:** Do not remove both Glass Mount Caps at the same time. Install the anti-Jump [X] and Anti-Jump Screws [Y] on both Roller Assemblies.



11 Seal Installation – Cut the Bulb Vinyl [JJ] and the Panel Seal [KK] to the vertical length of your Door Glass. Press the Bulb Vinyl on the strike side of the Door Glass and the Panel Seal on the other, below the Header Bar. A small amount of silicone can be used between the glass and seal if you like.



12 Set the Stops – Move the door to the closed position. Slide the Stopper [FF] over until it touches the bottom of the roller on the strike side of the door, making sure that the bottom of the stopper will clear the top of the door glass. Tighten the Stopper Set Screw [GG]. Move the door to the open position with the handle 1/4" - 1/2" from hitting the fixed panel. Slide the other stopper over until it just touches the bottom of the roller on the fixed side of the door. Tighten the Stopper Set Screw.



13 Finishing Up – Make sure that all fasteners are tight. Clean all exposed marks you made on the sill and walls of the shower stall. Clean the glass panels.

14 Using Onyx Adhesive, caulk the bottom of the stationary panel (F) where it meets the base. Allow 24 hours for any silicone to completely cure, before using your new Alumax Shower Door.



Elegance for your bath

INSTALLATION
INSTRUCTIONS

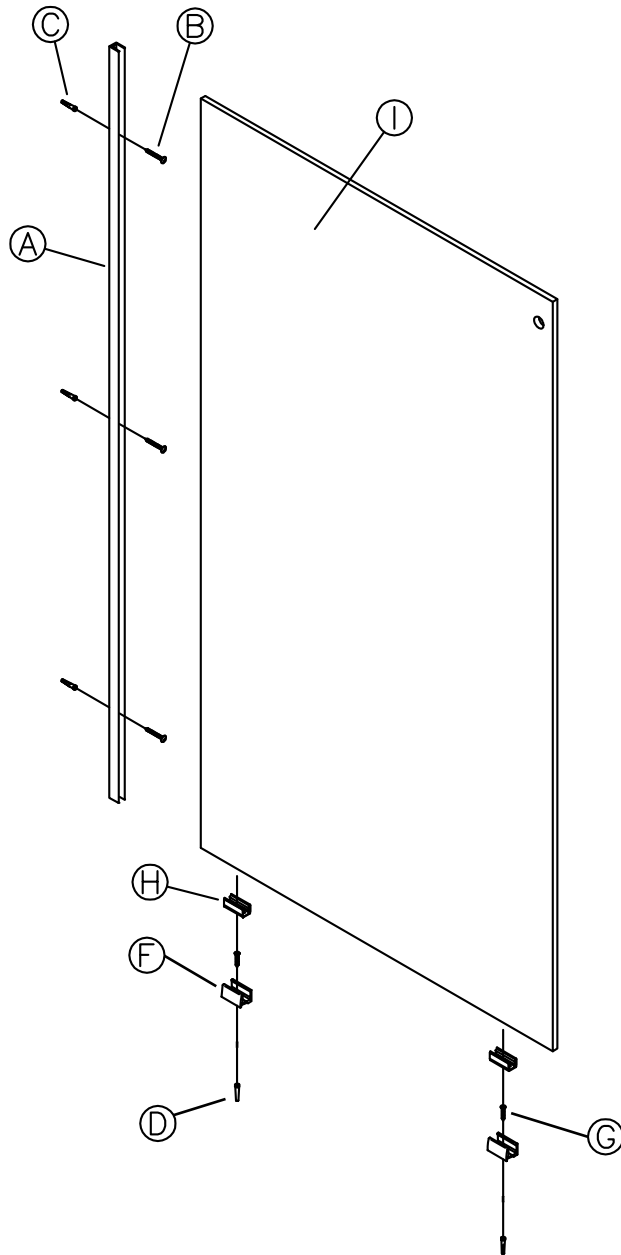
ProLine PL80

OPTIONAL RETURN PANEL



PL RETURN PARTS LIST

- A** SC-658 Wall Jamb
- B** Wall Jamb Screw
- C** Wall Jamb Anchor
- D** Glass Clip Anchor
- F** Glass Clip
- G** Glass Clip Screw
- H** Glass Clip Vinyl
- I** Glass Return Panel

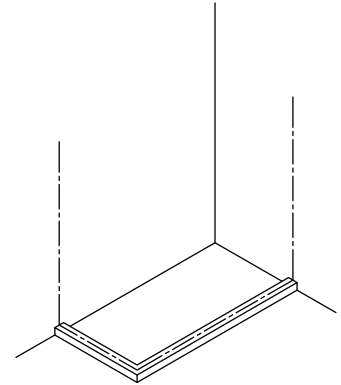


Notes:

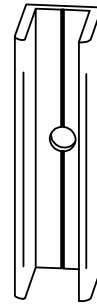
This is a two person installation.

All marks made on tile, marble or fiberglass should be made lightly in pencil so they can be removed after the installation is complete. An optional method is to use masking tape on the walls and sill that can be removed as the installation progresses.

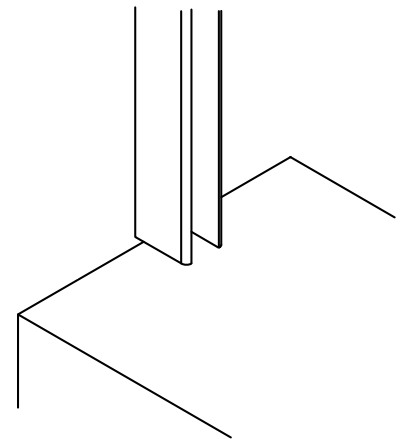
- 1** Establish Centerline – Lightly, mark the centerline of the unit on the sill and up the walls of the shower stall.



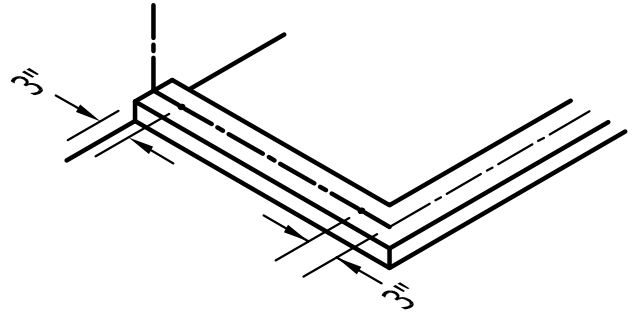
- 2** Wall Jamb Installation Preparation – Cut the SC-658 Wall Jamb [A] to the unit height. There may be 3 pre-drilled holes in the Wall Jamb.



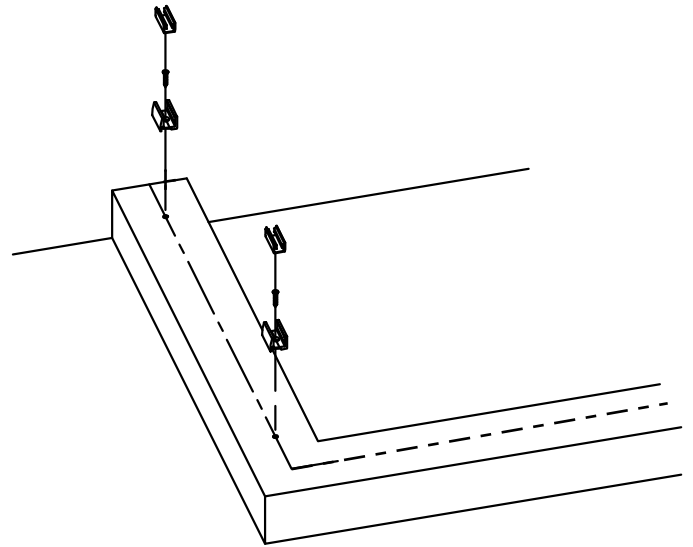
- 3** Mark the Wall Jamb Location – Place the SC-658 Wall Jamb [A] against the return wall with the holes lined up with the centerline marked in Step 1. Mark the center of all 3 holes on the centerline. Remove the wall jamb and drill all 3 locations for the Wall Anchors [C] you are using to mount the wall jamb. Clean the holes. Silicone, and insert the wall anchors, but do not install the wall jamb at this time.



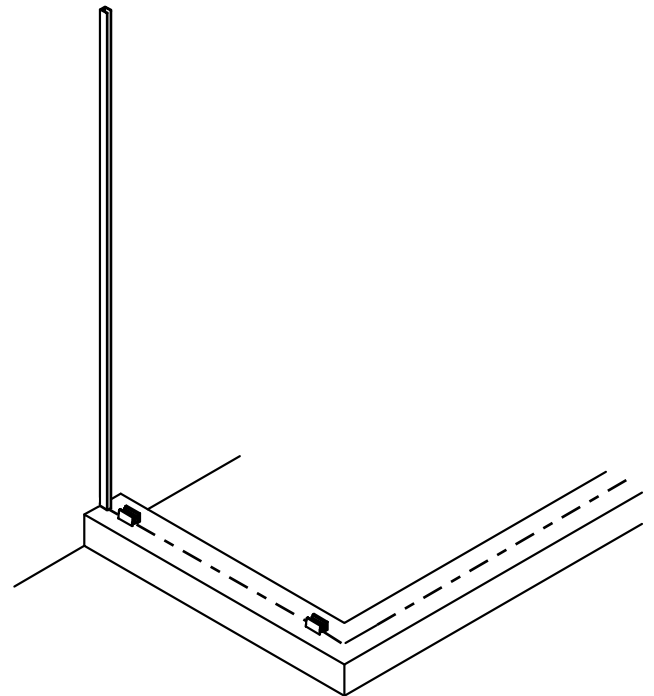
4 Return Clip Location - Mark the return centerline approximately three inches from the wall and the front centerline. Drill both locations $9/32"$. Clean the holes and sill of debris, squirt a little silicone into the holes and insert the Glass Clip Anchors [D].



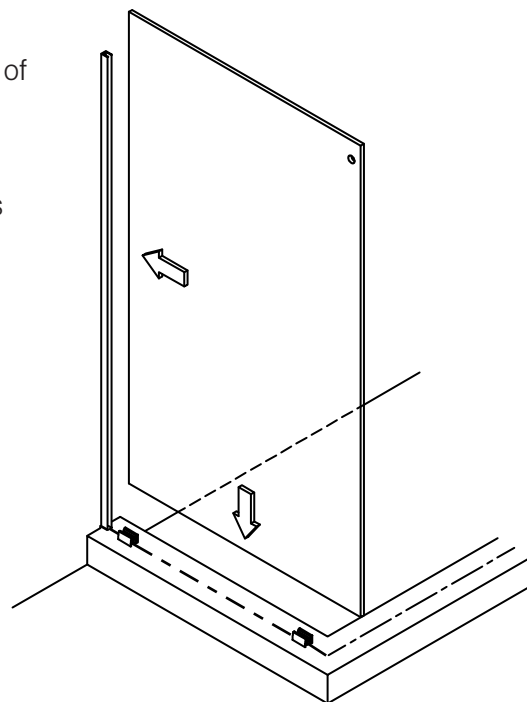
5 Clip Installation – Put a little silicone in the glass anchors. Then, install the glass clips using the Glass Clip Screws [G] provided. Install the Glass Clip Vinyl into the clips.



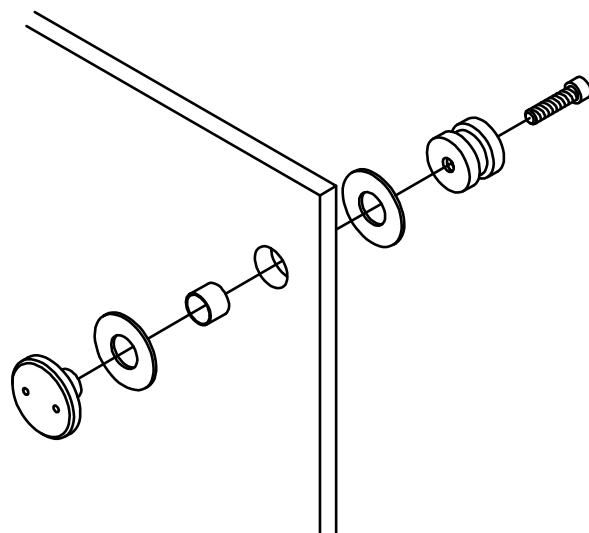
6 Wall Jamb Installation – Mount the SC-658 Wall Jamb [A] to the return wall.



7 Return Panel Installation – Run a bead of silicone in the center of the the SC-658 Wall Jamb [A]. Then, orient the Glass Return Panel so that the return mount hole is toward the front of the enclosure. Slide the vertical edge of the glass into the siliconed SC-658 wall jamb. Set the bottom edge of the glass into the Glass Clips.



8 Install the return mount through the hole in the return glass panel. Silicone the gap between the Return Panel [I] and the base curb. Allow the silicone to cure 24 hours before using the shower.



Things to Remember – There will only be one wall mount bracket used. The other support for the header bar being the return mount (step 8).