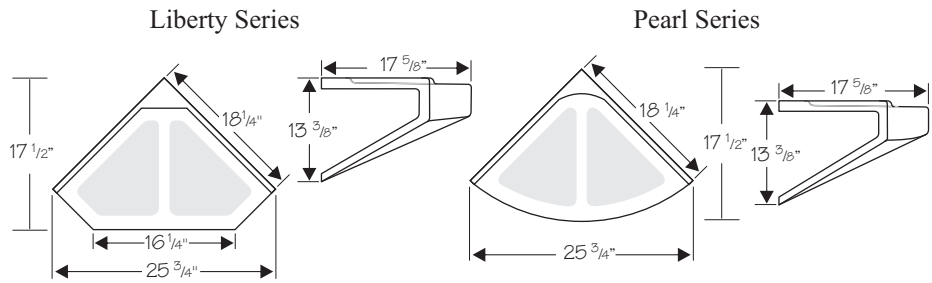
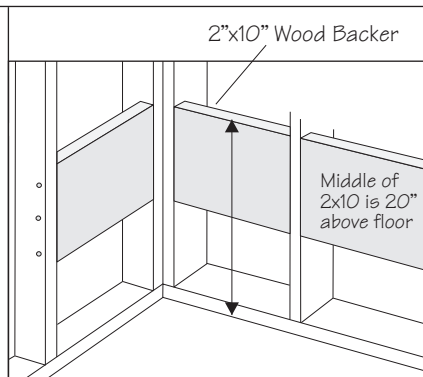


ENCLOSED SHOWER SEAT



1 Wall Preparation

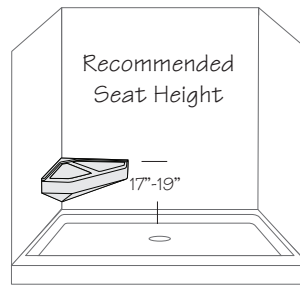
Wood backing is needed to support the Shower Seat. Install the backing as seen in the picture to the right. We recommend using a 2" x 10". Mount the backing so that its center is about 20" high off the floor. This will allow for the finished seat height to be 16" to 20" tall. The backing should extend a minimum of 16" from the corner.



The 2" x 10" wood backer should be secured soundly to the wall studs.

2 Seat Location

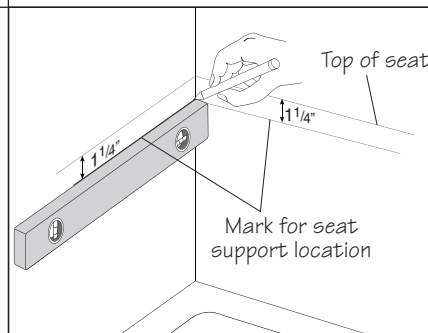
After the shower wall is installed, determine the height of the corner seat (normally between 17" and 19" above the base). Mark the walls with a pencil or tape on the top of the seat for a reference point, then remove the seat.



Putting tape on the shower wall and marking the location of the top of the seat may be helpful to maintain the correct height when marking for the holes.

3 Marking for Support Location

Using the top of the seat mark, measure down 1 1/4". Then using a level, draw a line out from the corner about 16" long on each wall to use as a guide for the seat supports. This will be used to align the seat supports and keep the seat level.

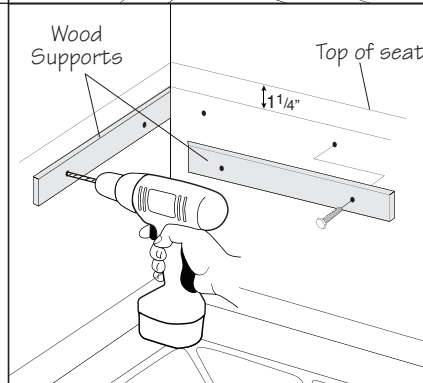


Hold the supports up to the level line and mark the wall panel through the holes in the supports for drilling location.

4 Attaching the Supports

While holding the seat supports on the level line, mark the Onyx wall panel with a pencil through the holes in the supports.

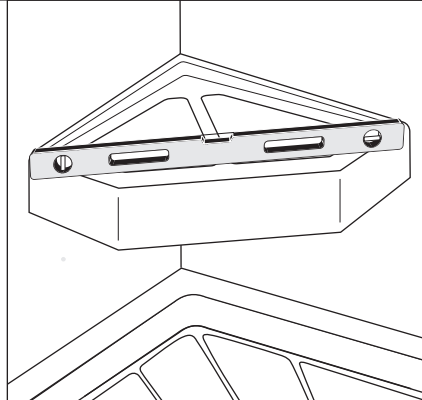
Pre-drill 1/2" holes through the Onyx panel only, and then drill 1/4" pilot holes into the wood backing. Using the lag bolts, attach the wood supports to the shower wall.



Regular drill bits can be used when drilling through Onyx wall panels. When enlarging the clearance hole, be careful not to drill into the wood backing.

5 Dry Fit Seat & Check Level

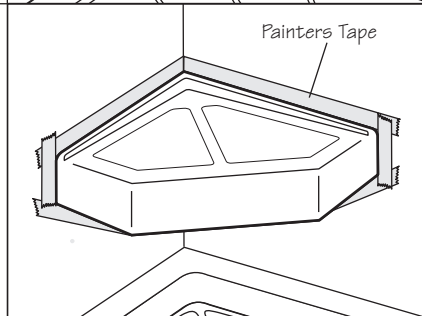
Place the seat on the wood supports. Ideally, the wall will be square and everything will fit perfectly. If the wall is out of square slightly, color match silicone can cover the small gap easily. If the wall is out of square more than 1/4" overall, we recommend marking the seat (top and bottom) and using a belt sander to fit the seat to the corner. Check the seat with a level. The seat design has certain slopes to allow the water to drain towards the front of the seat. Confirm that the seat will drain water.



If the seat needs to be belt sanded, masking tape is often used to help mark the line.

6 Dry Fitting & Mark with Tape

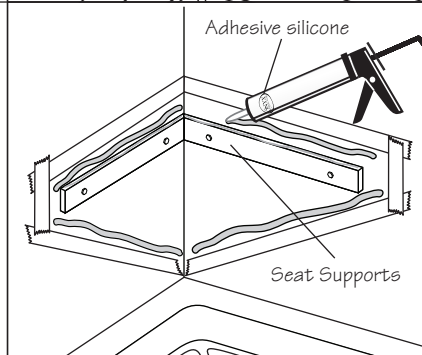
With the seat resting on the wooden supports and the position and fit is satisfactory, the seat must be siliconed into place. We recommend putting masking tape around all the edges of the seat to help with placement and clean-up of the silicone.



The painter's masking tape will help keep the silicone from being spread on the wall panels.

7 Mounting & Adhesive Silicone

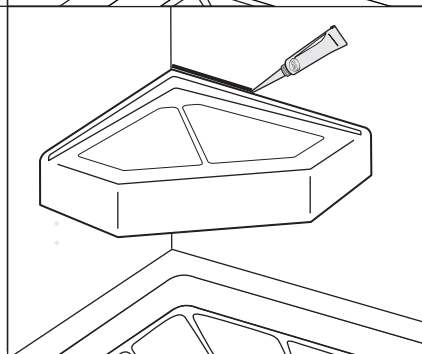
Remove the seat and apply a bead of silicone on the shower walls, about 1/2" inside of the edge of the masking tape. Place a bead of silicone on top of the wood supports as well. Place the seat back onto the wood supports. Silicone may press out in places. Remove the masking tape, being careful to remove the excess silicone.



If excess adhesive silicone gets on the walls or seat, it can be cleaned up using rubbing alcohol and paper towel.

8 Color Match Silicone Sealing

After the seat is secured in place, it may be necessary to support or brace the seat against the wall until the adhesive silicone cures. Then use the Onyx color matched seamfill to fill the seams between the seat and the walls.



To smooth out a seamfill bead with your finger, dampen a paper towel with rubbing alcohol and then dampen your finger. Next, run your finger along the bead of seamfill, wiping any excess silicone onto the paper towel. The rubbing alcohol will keep the silicone from smearing.